

CR10-16 A-FJ-A-E-HQQE 3x400D 50 HZ Grundfos pump 96501222




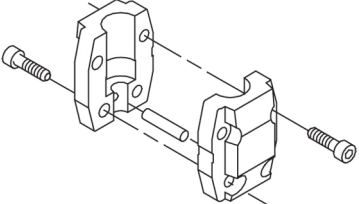
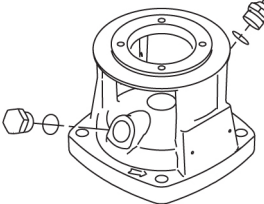
Thank you for your interest in our products. Please contact us for more information, or visit our website

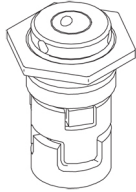
<https://www.lenntech.com/grundfos/CRFAM/96501222/CR-10-16-A-FJ-A-E-HQQE.html>

info@lenntech.com

tel. +31 152 610 900

fax. +31 152 616 289

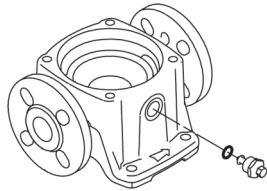
Position	Qty.	Description
	1	<p data-bbox="323 163 624 197">CR 10-16 A-FJ-A-E-HQQE</p>  <p data-bbox="323 488 600 521">Product No.: On request</p> <p data-bbox="323 544 1430 645">Vertical, multistage centrifugal pump with inlet and outlet ports on same the level (inline). The pump head and base are in cast iron – all other wetted parts are in stainless steel. A cartridge shaft seal ensures high reliability, safe handling, and easy access and service. Power transmission is via a rigid split coupling. Pipe connection is via combined DIN-JIS flanges.</p> <p data-bbox="323 689 1054 723">The pump is fitted with a 3-phase, fan-cooled asynchronous motor.</p> <p data-bbox="323 745 639 779">Further product details</p> <p data-bbox="323 790 1449 891">Steel, cast iron and aluminium components have an epoxy-based coating made in a cathodic electro-deposition (CED) process. CED is a high-quality dip-painting process where an electrical field around the products ensures deposition of paint particles as a thin, well-controlled layer on the surface. An integral part of the process is a pretreatment. The entire process consists of these elements:</p> <ol data-bbox="323 902 815 1014" style="list-style-type: none"> 1) Alkaline-based cleaning. 2) Zinc phosphating. 3) Cathodic electro-deposition. 4) Curing to a dry film thickness 18-22 my m. <p data-bbox="323 1014 1027 1048">The colour code for the finished product is NCS 9000/RAL 9005.</p> <p data-bbox="323 1070 403 1104">Pump</p> <p data-bbox="323 1115 1417 1171">A standard split coupling connects the pump and motor shaft. It is enclosed in the pump head/motor stool by means of two coupling guards.</p>  <p data-bbox="323 1406 1398 1462">The pump head, pump head cover and flange for motor mounting is made in one piece. The pump head has a combined 1/2" priming plug and vent screw.</p>  <p data-bbox="323 1709 1422 1809">The pump is fitted with a balanced O-ring seal unit with a rigid torque-transmission system. This seal type is assembled in a cartridge unit which makes replacement safe and easy. Due to the balancing, this seal type is suitable for high-pressure applications. The cartridge construction also protects the pump shaft from possible wear from a dynamic O-ring between pump shaft and shaft seal.</p> <p data-bbox="323 1821 467 1854">Primary seal:</p> <ul data-bbox="355 1854 919 1910" style="list-style-type: none"> • Rotating seal ring material: silicon carbide (SiC) • Stationary seat material: silicon carbide (SiC) <p data-bbox="323 1910 1425 1966">This material pairing is used where higher corrosion resistance is required. The high hardness of this material pairing offers good resistance against abrasive particles.</p> <p data-bbox="323 1966 986 2000">Secondary seal material: EPDM (ethylene-propylene rubber)</p> <p data-bbox="323 2000 1219 2033">EPDM has excellent resistance to hot water. EPDM is not suitable for mineral oils.</p>



The shaft seal is screwed into the pump head.

The chambers and impellers are made of stainless-steel sheet. The chambers are provided with a PTFE neck ring offering improved sealing and high efficiency. The impellers have smooth surfaces, and the shape of the blades ensure a high efficiency.

The base is made of cast iron. The flanges and base are cast in one piece. The outlet side of the base has a drain plug. The pump is secured to the foundation by four bolts through the base plate.



Motor

The motor is a totally enclosed, fan-cooled motor with principal dimensions to IEC and DIN standards. The motor is flange-mounted with free-hole flange (FF).

Motor-mounting designation in accordance with IEC 60034-7: IM B 5 (Code I) / IM 3001 (Code II).

Electrical tolerances comply with IEC 60034.

The motor efficiency is classified as IE3 in accordance with IEC 60034-30-1.

The motor has thermistors (PTC sensors) in the windings in accordance with DIN 44081/DIN 44082. The protection reacts to both slow- and quick-rising temperatures, e.g. constant overload and stalled conditions.

Thermal switches must be connected to an external control circuit in a way which ensures that the automatic reset cannot cause accidents. The motors must be connected to a motor-protective circuit breaker according to local regulations.

The motor can be connected to a variable speed drive for adjustment of pump performance to any duty point. Grundfos CUE offers a range of variable speed drives. Please find more information in Grundfos Product Center.

Technical data

Controls:

Frequency converter: NONE

Liquid:

Pumped liquid: Water
 Liquid temperature range: -20 .. 120 °C
 Liquid temperature during operation: 20 °C
 Density: 998.2 kg/m³

Technical:

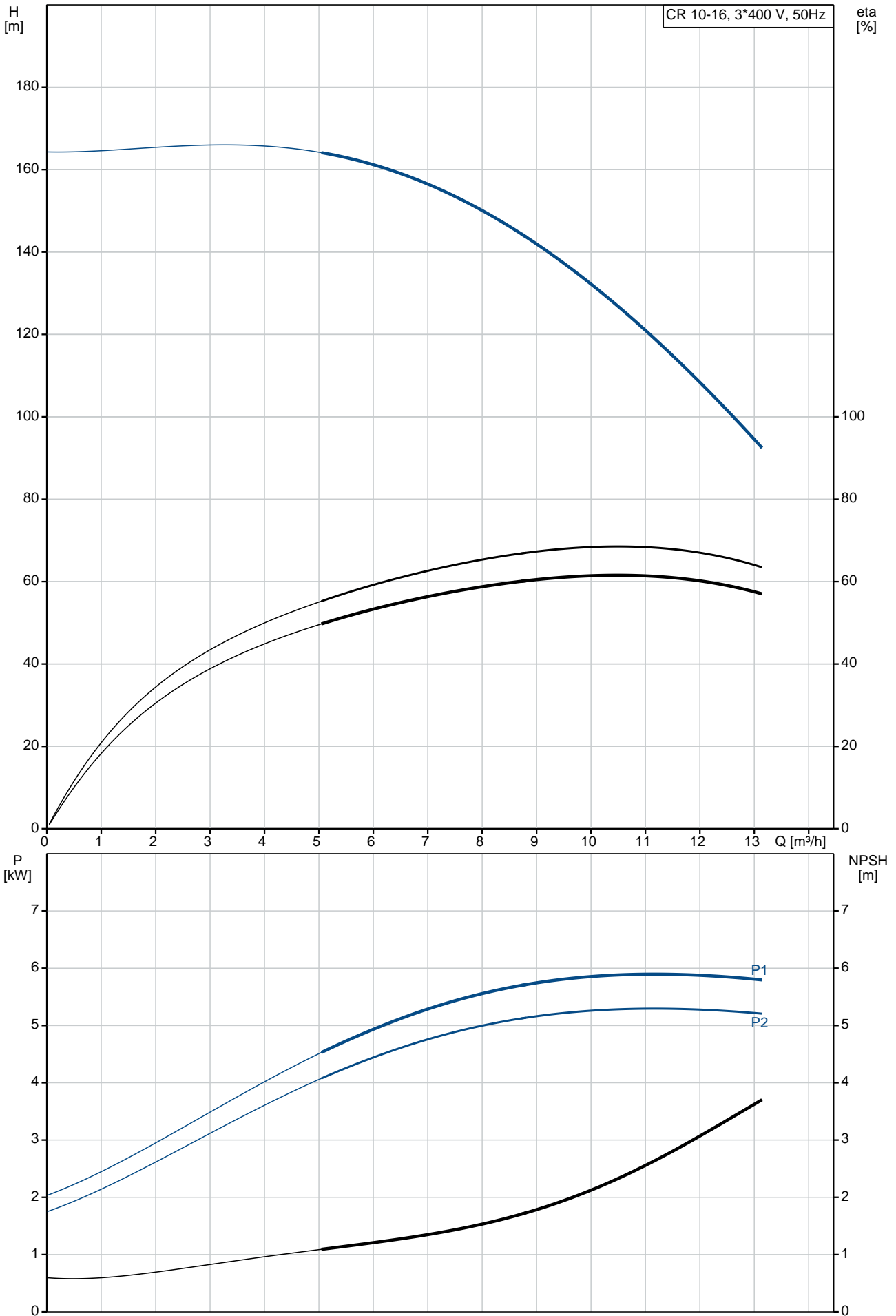
Rated flow: 10 m³/h
 Rated head: 129.4 m
 Pump orientation: Vertical
 Shaft seal arrangement: Single
 Code for shaft seal: HQQE
 Approvals on nameplate: CE, EAC, ACS
 Curve tolerance: ISO9906:2012 3B

Materials:

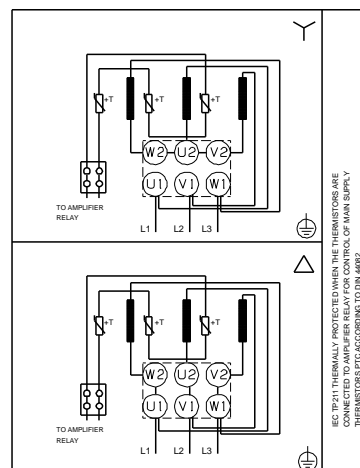
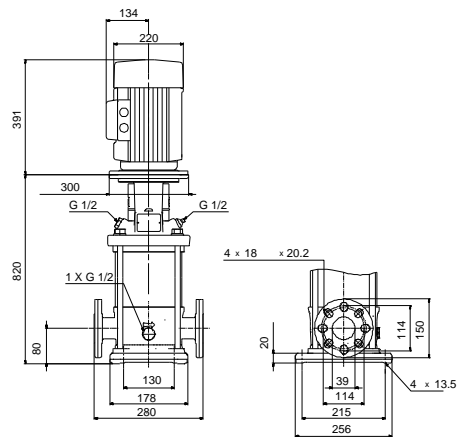
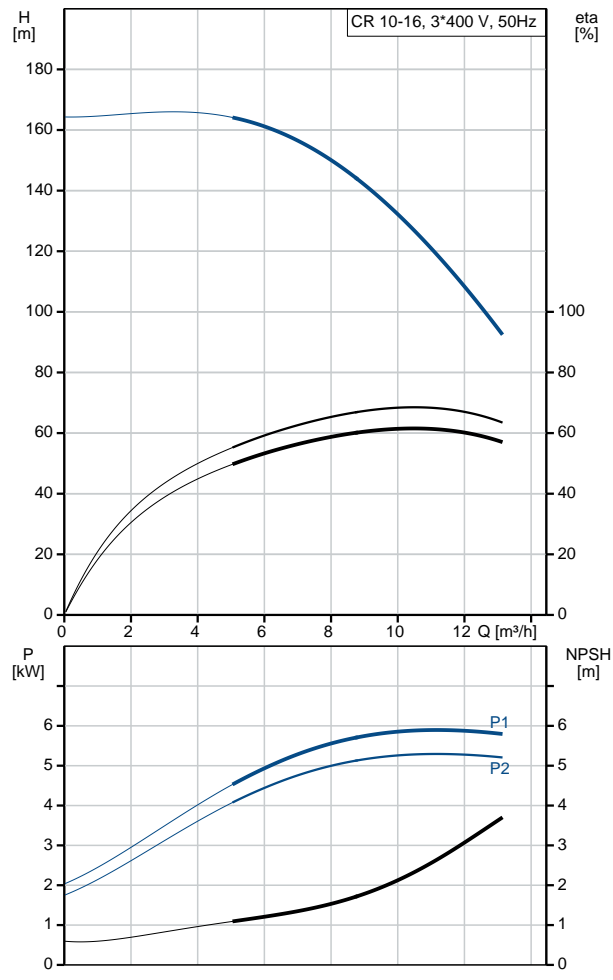
Base: Cast iron
 EN 1561 EN-GJL-200
 ASTM A48-25B
 Impeller: Stainless steel

Position	Qty.	Description
		<p>EN 1.4301 AISI 304 Bearing: SIC</p> <p>Installation: Maximum ambient temperature: 60 °C Maximum operating pressure: 16 bar Max pressure at stated temp: 16 bar / 120 °C 16 bar / -20 °C</p> <p>Type of connection: DIN / JIS Size of inlet connection: DN 40 1 1/2 inch Size of outlet connection: DN 40 Pressure rating for pipe connection: PN 25 Flange rating inlet: 300 lb Flange size for motor: FF265</p> <p>Electrical data: Motor standard: IEC Motor type: 132SC IE Efficiency class: IE3 Rated power - P2: 5.5 kW Power (P2) required by pump: 5.5 kW Mains frequency: 50 Hz Rated voltage: 3 x 380-415D V Rated current: 11 A Starting current: 1080-1180 % Cos phi - power factor: 0.87-0.82 Rated speed: 2920-2940 rpm Efficiency: IE3 89,2% Motor efficiency at full load: 89.2 % Motor efficiency at 3/4 load: 90.0 % Motor efficiency at 1/2 load: 89.6 % Number of poles: 2 Enclosure class (IEC 34-5): 55 Dust/Jetting Insulation class (IEC 85): F</p> <p>Others: Minimum efficiency index, MEI : 0.70 Net weight: 97 kg Gross weight: 119 kg Shipping volume: 0.321 m³ Danish VVS No.: 385903160 Swedish RSK No.: 5823468</p>

On request CR 10-16 A-FJ-A-E-HQQE 50 Hz

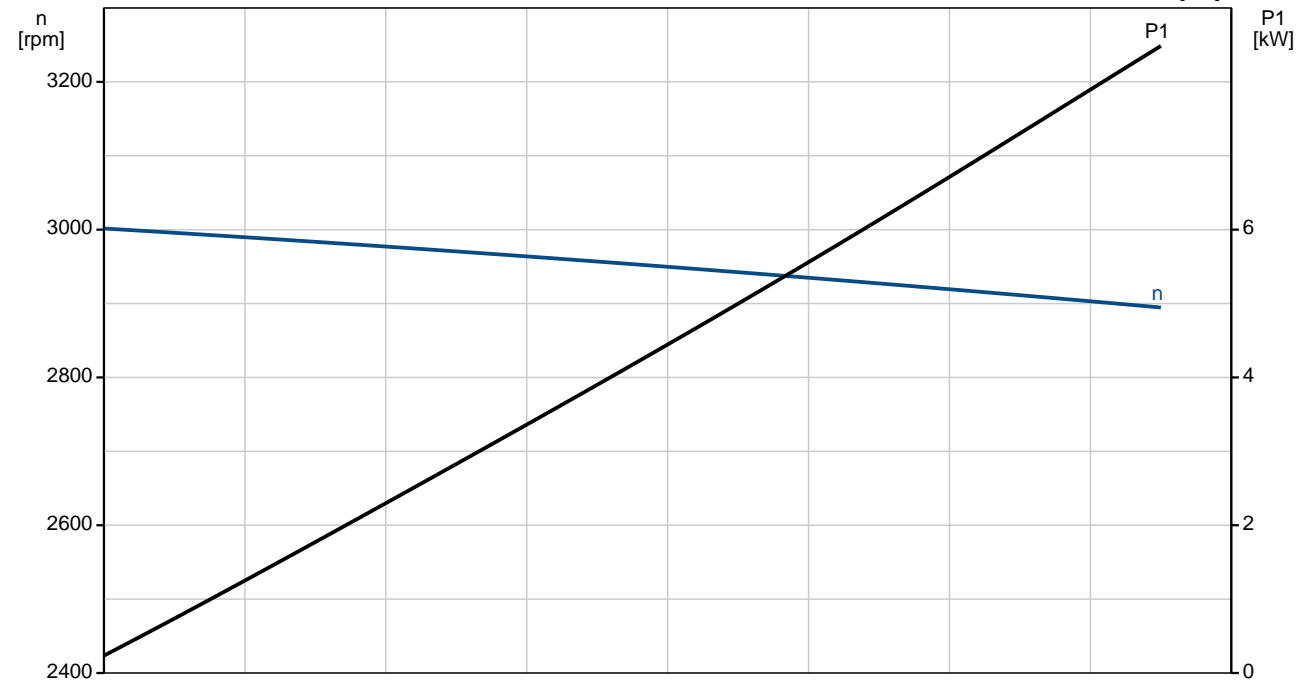
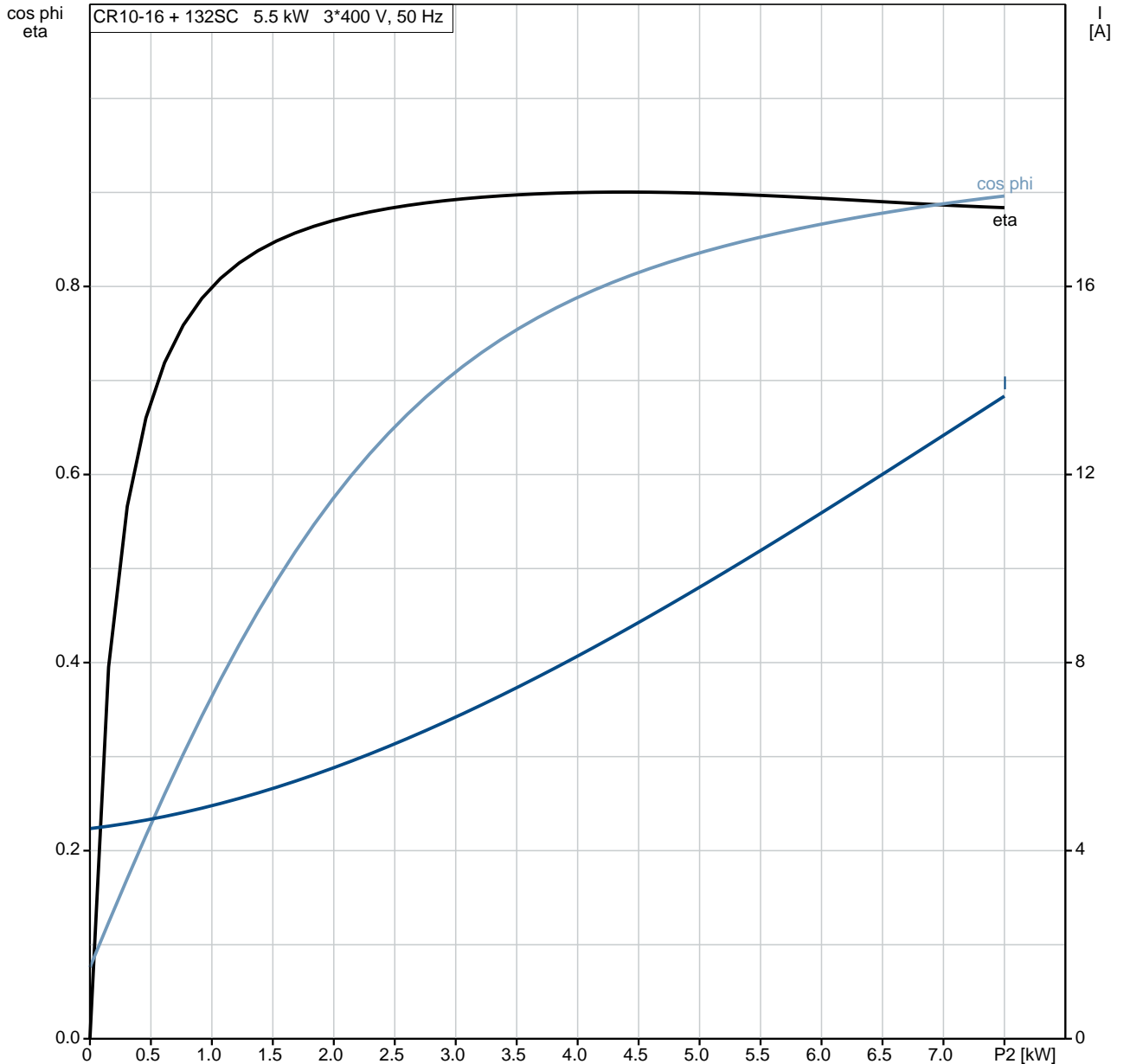


Description	Value
General information:	
Product name:	CR 10-16 A-FJ-A-E-HQQE
Product No:	On request
EAN number:	On request
Technical:	
Rated flow:	10 m ³ /h
Rated head:	129.4 m
Stages:	16
Impellers:	16
Number of reduced-diameter impellers:	0
Low NPSH:	N
Pump orientation:	Vertical
Shaft seal arrangement:	Single
Code for shaft seal:	HQQE
Approvals on nameplate:	CE, EAC, ACS
Curve tolerance:	ISO9906:2012 3B
Pump version:	A
Model:	A
Materials:	
Base:	Cast iron EN 1561 EN-GJL-200 ASTM A48-25B
Impeller:	Stainless steel EN 1.4301 AISI 304
Material code:	A
Code for rubber:	E
Bearing:	SIC
Installation:	
Maximum ambient temperature:	60 °C
Maximum operating pressure:	16 bar
Max pressure at stated temp:	16 bar / 120 °C 16 bar / -20 °C
Type of connection:	DIN / JIS
Size of inlet connection:	DN 40 1 1/2 inch
Size of outlet connection:	DN 40
Pressure rating for pipe connection:	PN 25
Flange rating inlet:	300 lb
Flange size for motor:	FF265
Connect code:	FJ
Liquid:	
Pumped liquid:	Water
Liquid temperature range:	-20 .. 120 °C
Liquid temperature during operation:	20 °C
Density:	998.2 kg/m ³
Electrical data:	
Motor standard:	IEC
Motor type:	132SC
IE Efficiency class:	IE3
Rated power - P2:	5.5 kW
Power (P2) required by pump:	5.5 kW
Mains frequency:	50 Hz
Rated voltage:	3 x 380-415 V
Rated current:	11 A
Starting current:	1080-1180 %
Cos phi - power factor:	0.87-0.82
Rated speed:	2920-2940 rpm
Efficiency:	IE3 89,2%
Motor efficiency at full load:	89.2 %
Motor efficiency at 3/4 load:	90.0 %
Motor efficiency at 1/2 load:	89.6 %
Number of poles:	2

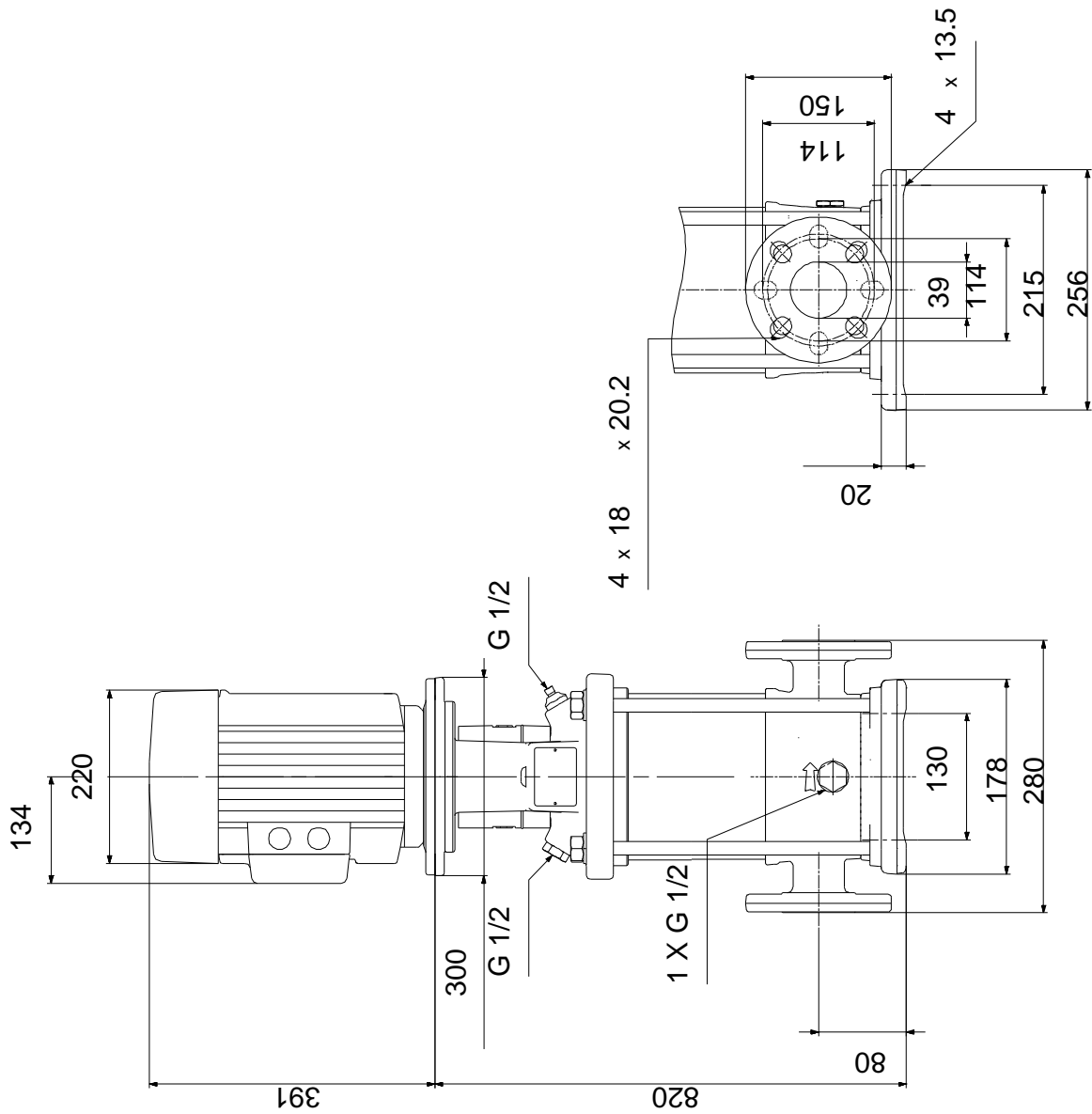


Description	Value
Enclosure class (IEC 34-5):	55 Dust/Jetting
Insulation class (IEC 85):	F
Motor protec:	PTC
Motor No:	85U17417
Controls:	
Frequency converter:	NONE
Others:	
Minimum efficiency index, MEI :	0.70
Net weight:	97 kg
Gross weight:	119 kg
Shipping volume:	0.321 m ³
Danish VVS No.:	385903160
Swedish RSK No.:	5823468

On request CR 10-16 A-FJ-A-E-HQQE 50 Hz

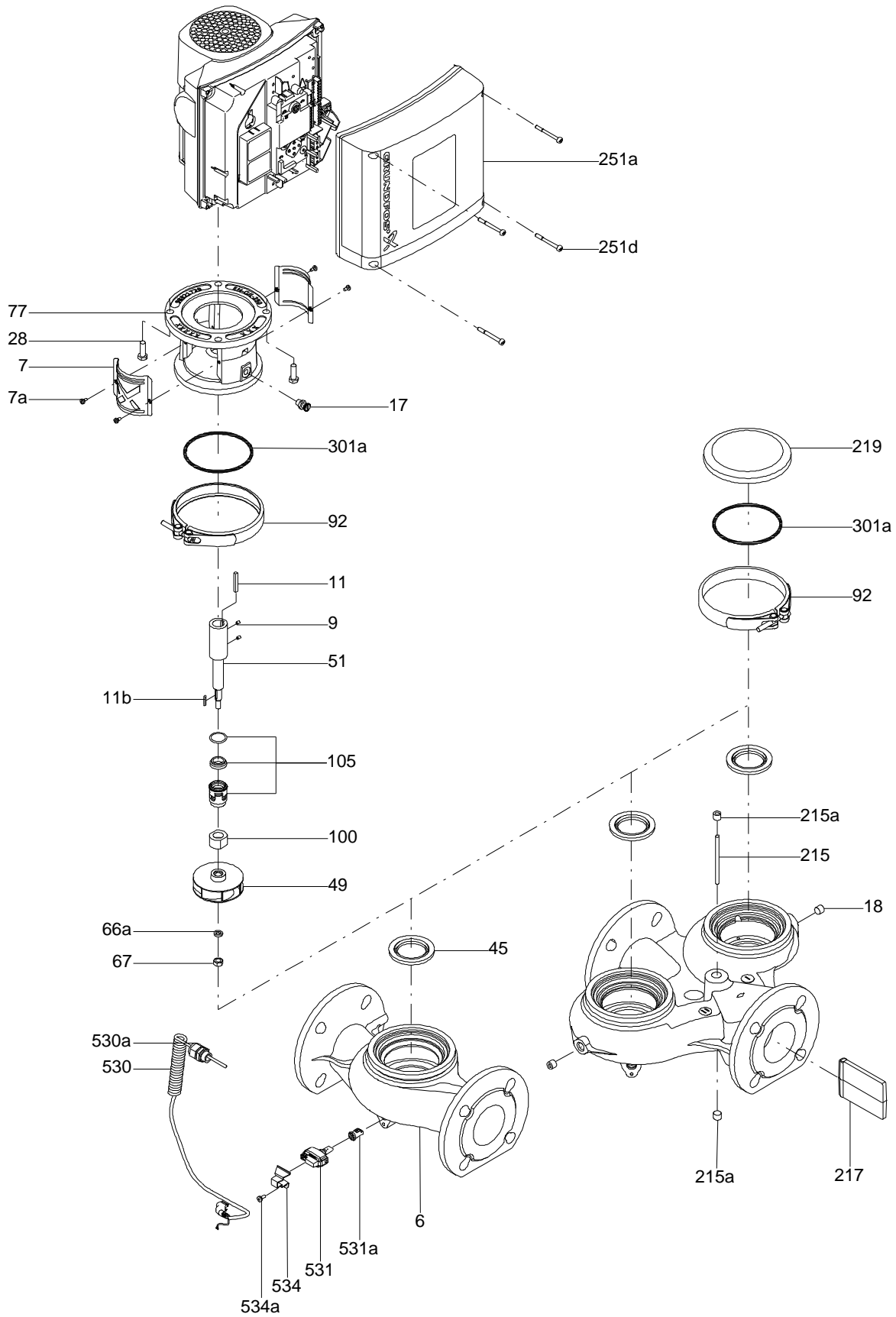


On request CR 10-16 A-FJ-A-E-HQQE 50 Hz

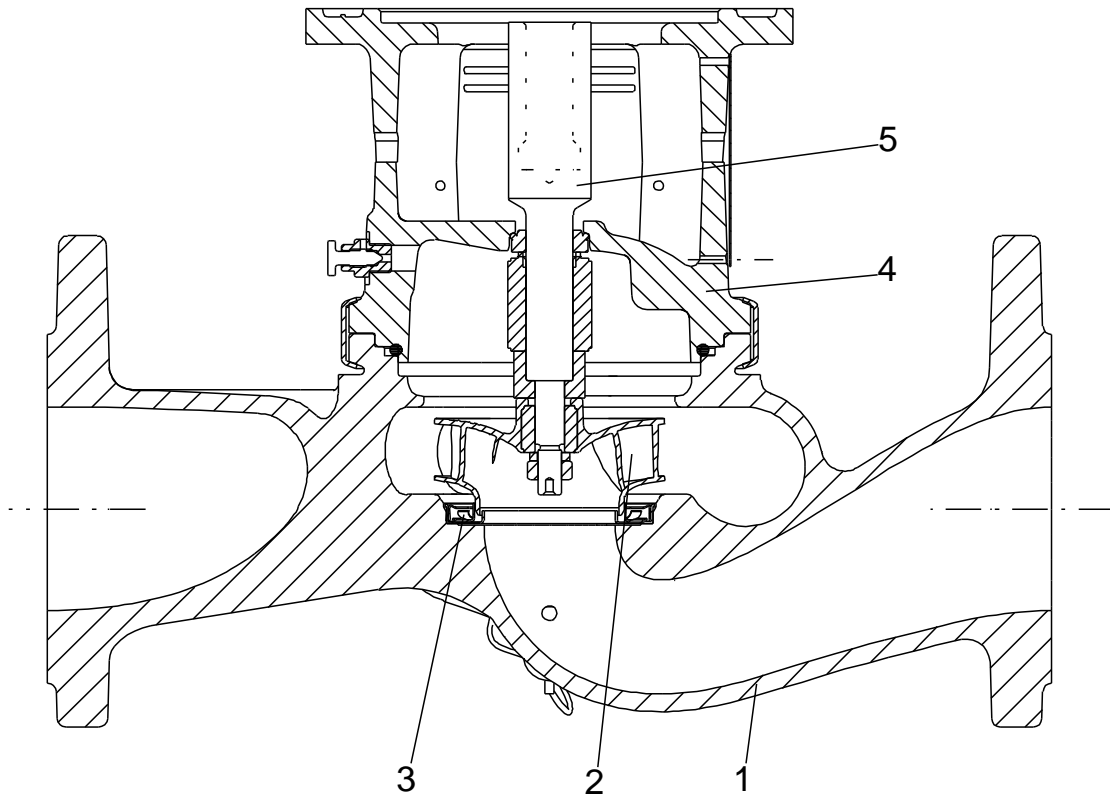


Note! All units are in [mm] unless others are stated.
 Disclaimer: This simplified dimensional drawing does not show all details.

Exploded view

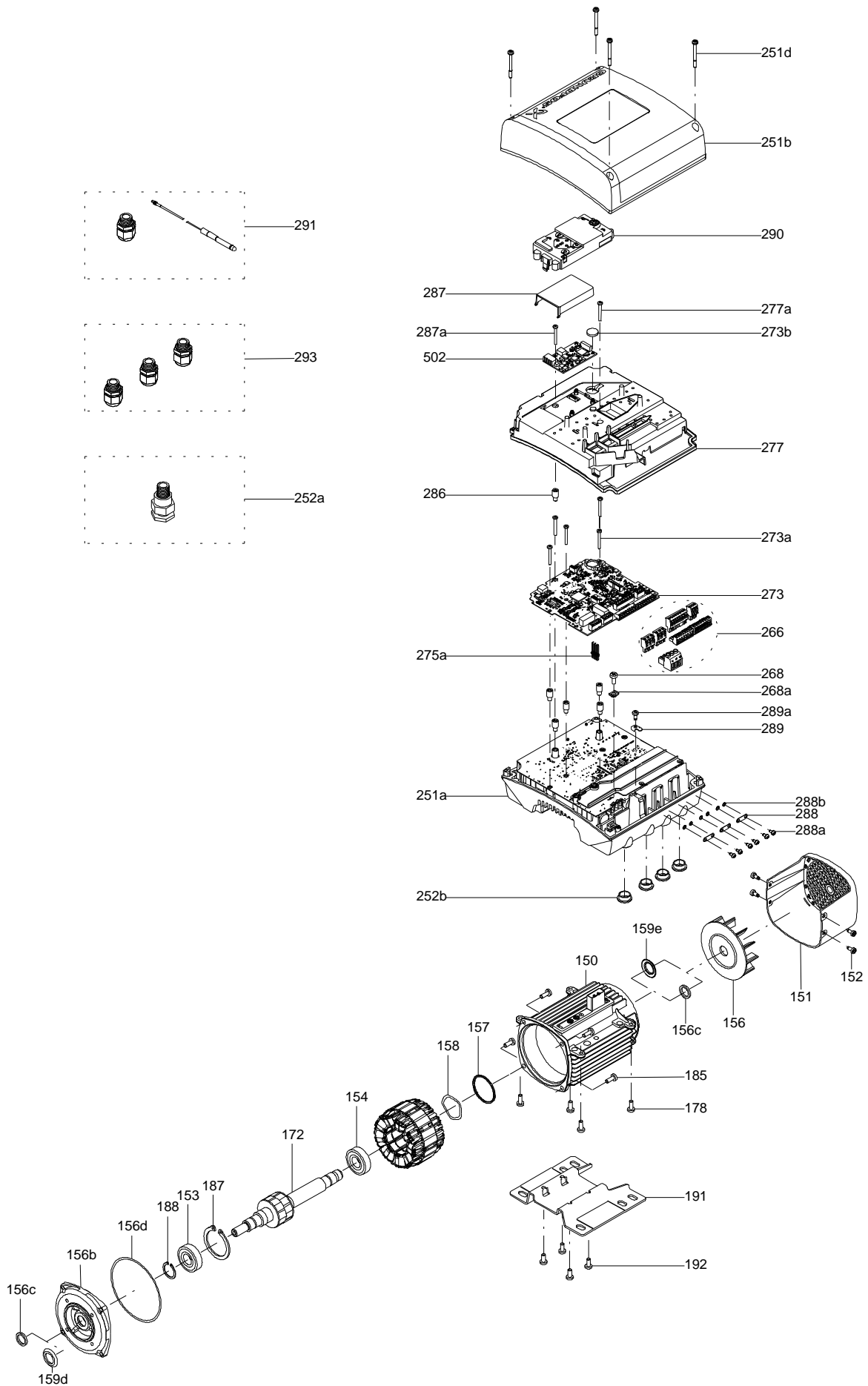


Sectional drawing (TM058200 for TPE2,TPE3)



TM058200

Exploded view (TM057026 for MGE model H/I)



Parts list CR 10-16, Product No. On request
Valid from 1.1.2011 (1152)

Pos	Description	Annotation	Données de classification	Référence	Quantité	Unité
+	Motor				1	pcs
-	Base cpl.				1	pcs
6	Base				1	
25	Drain plug				1	
-	Rubber module				1	pcs
20	Spring				4	
37	O-ring				2	
38	O-ring		Diameter: 16,3 Material type: EPDM Thickness: 2,4		1	
38a	O-ring		Diameter: 5,3 Material type: EPDM Thickness: 2,4		1	
100	O-ring		Diameter: 16,3 Material type: EPDM Thickness: 2,4		2	
- 2	Pump head cpl.				1	pcs
1	Flange				1	
2	Pump head				1	
7	Coupling guard				2	
7.a	Combi Slot Torx screw				4	
- 18	Air vent screw				1	
	Plug				1	
	Spindle				1	
23	Plug				1	
28	Hex head screw		Length (mm): 30 Thread: M12		4	
28.a	Hex head screw		Length (mm): 30 Thread: M12		4	
76	Nameplate				1	
76a	Rivet				1	
- 8	Coupling				1	pcs
9	Hex socket head cap screw		Designation: DIN 912 Length (mm): 25 Thread: M10		4	
10	Shaft pin		Diameter: 5 Length (mm): 26		1	
10a	Coupling half				1	
26	Staybolt				4	pcs
36	Hex nut		Thread: M16		4	pcs
55	Outer sleeve				1	pcs
66a	Washer		Designation: DIN 125 A Internal diameter: 17 Outer diameter: 30 Thickness: 3		4	pcs
- 80	Chamber stack		Bearing type: SIC		1	pcs
- 4	Intermediate chamber cpl.				1	
	Guide vane				10	
3	Top intermediate chamber				1	
- 4	Intermediate chamber cpl.				12	
	Guide vane				10	
	Guide cup				1	
3a	Intermediate chamber				1	
45	Neck ring cpl.				1	
65	Retainer				1	
- 4a	Intermediate chamber cpl.				3	
	Guide vane				10	
	Bearing plate				1	
	Bearing bush				1	

Pos	Description	Annotation	Données de classification	Référence	Quantité	Unité
	Guide cup				1	
3a	Intermediate chamber				1	
45	Neck ring cpl.				1	
65	Retainer				1	
26.b	Hex head screw				2	
26.c	Washer		Designation: DIN 125A		2	
			Thickness: 1,6			
26a	Strap cpl.				2	
36	Lock nut		Thread: M8		1	
- 44a	Inlet part cpl.				1	
	Inlet part				1	
	Guide cup				1	
45	Neck ring cpl.				1	
65	Retainer				1	
44b	Inlet part				1	
47a	Bearing ring				3	
49	Impeller cpl.				16	
- 51	Shaft, spline, cpl.				1	
	Bar				0	
62	Stop ring				1	
64	Spacing bush		Length (mm): 9.00		3	
64.d	Spacer				3	
64c	Spacing pipe		Length (mm): 12.7		1	
66	Wedge lock washer				1	
69	Spacing pipe		Length (mm): 29.05		12	
69	Spacing bush		Length (mm): 18.00		1	
105	Shaft seal		Material type: HQQE		1	pcs

Disclaimer: The information about the Grundfos pump in this document may be outdated.

Data may be subject to alterations without further notice.

Please contact us to verify the data above is still accurate/up-to-date.

All information is copyright Grundfos.



info@lenntech.com

<https://www.lenntech.com>

tel. +31 152 610 900

fax. +31 152 616 289