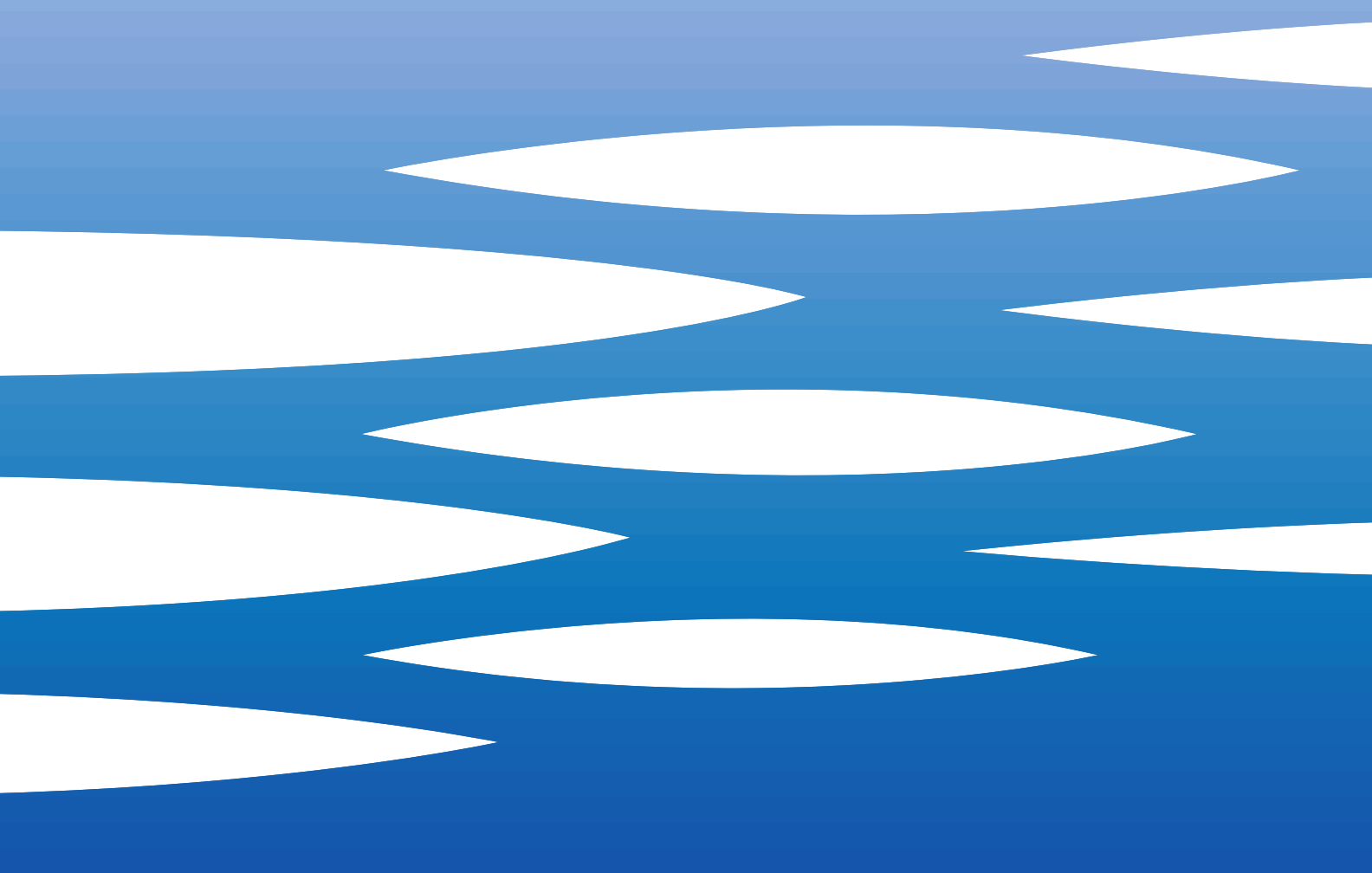




EBARA



	Page
- SPECIFICATIONS	200
DS SPECIFICATIONS	200
DSF SPECIFICATIONS	201
DVS SPECIFICATIONS	202
DL SPECIFICATIONS	203
DL W/C SPECIFICATIONS	204
DML SPECIFICATIONS	205
DMLF SPECIFICATIONS	206
DMLV SPECIFICATIONS	207
DMLVF SPECIFICATIONS	208
SELECTION CHART DS-DSF	209
SELECTION CHART DVS	210
SELECTION CHART 65DL, 80DL	211
SELECTION CHART 100DL	212
SELECTION CHART 150DL	213
SELECTION CHART 200DL	214
SELECTION CHART 250DL	215
SELECTION CHART 300DL	216
SELECTION CHART DL W/C	217
SELECTION CHART 80DML	218
SELECTION CHART 100DML	219
SELECTION CHART 150DML	220
SELECTION CHART 50-65DMLF	221
SELECTION CHART 32-50-65 DMLVF	222
SELECTION CHART 80 DMLV – 80 DMLVF	223
SELECTION CHART 100 DMLV - 100DMLVF	224
SELECTION CHART 150 DMLVF	225
TYPE KEY AND CURVE SPECIFICATIONS	226
PERFORMANCE CURVE 50DS(51.5, 52.2, 53.7)	228
PERFORMANCE CURVE 65DS51.5	229
PERFORMANCE CURVE 80DS(52.2, 53.7)	230
PERFORMANCE CURVE 100DS(55.5, 57.5)	231
PERFORMANCE CURVE 40DSF(51.1, 51.8, 55.7)	232
PERFORMANCE CURVE 65DSF515.9	233
PERFORMANCE CURVE 50DVS51.5	234
PERFORMANCE CURVE (80)65DVS(51.5, 52.2, 53.7)	235
PERFORMANCE CURVE 65DL51.5	236
PERFORMANCE CURVE 80DL(51.5, 52.2, 53.7), 80DLC(55.5, 57.5)	237
PERFORMANCE CURVE 100DL53.7, 100DLB(55.5, 57.5), 100DL(511, 515, 518.5)	238
PERFORMANCE CURVE 100DLC(55.5, 57.5)	239
PERFORMANCE CURVE 150DL(55.5, 57.5, 511, 515, 518.5, 522)	240
PERFORMANCE CURVE 150DL(530, 537, 545)	241
PERFORMANCE CURVE 200DL(55.5, 57.5, 511, 515, 518.5, 522)	242
PERFORMANCE CURVE 200DL(530, 537, 545)	243
PERFORMANCE CURVE 250DL(57.5, 511, 515, 518.5, 522)	244
PERFORMANCE CURVE 250DL(530, 537, 545)	245
PERFORMANCE CURVE 300DL(511, 515, 518.5, 522)	246
PERFORMANCE CURVE 300DL(530, 537, 545)	247
PERFORMANCE CURVE 65DL51.5W/C	248
PERFORMANCE CURVE 80DL(51.5, 52.2, 53.7)W/C	249
PERFORMANCE CURVE 100DL53.7W/C, 100DLB(55.5, 57.5)W/C	250
PERFORMANCE CURVE 80DML52.2	251

CONTENTS

50 Hz

Rev. B

PERFORMANCE CURVE 80DML53.7	252
PERFORMANCE CURVE 100DML53.7	253
PERFORMANCE CURVE 100DML55.5	254
PERFORMANCE CURVE 100DML57.5	255
PERFORMANCE CURVE 100DML511	256
PERFORMANCE CURVE 100DML515	257
PERFORMANCE CURVE 100DML522	258
PERFORMANCE CURVE 150DML55.5	259
PERFORMANCE CURVE 150DML57.5	260
PERFORMANCE CURVE 150DML511	261
PERFORMANCE CURVE 150DML515	262
PERFORMANCE CURVE 150DML522	263
PERFORMANCE CURVE 50DMLF51.1	264
PERFORMANCE CURVE 65DMLF(51.1, 51.8)	265
PERFORMANCE CURVE 80DMLV52.2	266
PERFORMANCE CURVE 80DMLV53.7	267
PERFORMANCE CURVE 100DMLV55.5	268
PERFORMANCE CURVE 100DMLV57.5	269
PERFORMANCE CURVE 100DMLV511	270
PERFORMANCE CURVE 100DMLV515	271
PERFORMANCE CURVE 100DMLV522	272
PERFORMANCE CURVE 32DMLVF50.5	273
PERFORMANCE CURVE 50DMLVF(51.5, 51.8, 51.8)	274
PERFORMANCE CURVE 65DMLVF51.9	275
PERFORMANCE CURVE 80DMLVF54.6	276
PERFORMANCE CURVE 80DMLVF(518.2, 518.2)	277
PERFORMANCE CURVE 100DMLVF55.2	278
PERFORMANCE CURVE 150DMLVF(511, 513.6)	279
PERFORMANCE CURVE 150DMLVF(525, 535.7)	280
- CONSTRUCTIONS	300
SECTIONAL VIEW 50DS (1.5 kW)	300
SECTIONAL VIEW 65DS (1.5 kW)	301
SECTIONAL VIEW 50(80)DS (2.2, 3.7 kW), 100DS (5.5, 7.5 kW)	302
SECTIONAL VIEW 40DSF (1.1, 1.8 kW)	303
SECTIONAL VIEW 40DSF (5.7 kW)	304
SECTIONAL VIEW 40DSF (15.9 kW)	305
SECTIONAL VIEW 50DVS (1.5 kW)	306
SECTIONAL VIEW 65(80)DVS (1.5 kW)	307
SECTIONAL VIEW 65(80)DVS (2.2, 3.7 kW)	308
SECTIONAL VIEW 65DL (1.5 kW), 80DL (1.5÷3.7 kW), 100DL (3.7 kW), SECTIONAL VIEW 80DL (5.5÷7.5 kW), 100DL (5.5÷18.5 kW), 150DL (5.5÷45 kW), 200DL (5.5÷45 kW), 250DL (7.5÷45 kW), 300DL (11÷45 kW),	309
SECTIONAL VIEW 150DL (30÷45 kW), 200DL (30÷45 kW), 250DL (30÷45 kW), 300DL (30÷45 kW)	310
SECTIONAL VIEW 80DML (2.2 kW)	311
SECTIONAL VIEW 80DML (3.7 kW), 100DML, 150DML (3.7÷7.5 kW)	312
SECTIONAL VIEW 100DML, 150DML (3.7÷7.5 kW)	313
SECTIONAL VIEW 50DMLF (1.1 kW)	314
SECTIONAL VIEW 65DMLF (1.8 kW)	315
SECTIONAL VIEW 65DMLF (1.1 kW)	316
SECTIONAL VIEW 80DMLV (2.2 kW)	317
SECTIONAL VIEW 80DMLV (3.7 kW), 100DMLV (3.7÷5.5 kW)	318
	319

CONTENTS

50 Hz

Rev. B

SECTIONAL VIEW 100DMLV (11÷22 kW)	320
SECTIONAL VIEW 32DMLVF (0.5 kW)	321
SECTIONAL VIEW 50DMLVF (1.1, 1.8 kW)	322
SECTIONAL VIEW 65DMLVF (1.9 kW)	323
SECTIONAL VIEW 80DMLVF (4.6 kW)	324
SECTIONAL VIEW 80DMLVF (18.2 kW)	325
SECTIONAL VIEW 80DMLVF (18.2 kW)	326
SECTIONAL VIEW 100DMLVF (5.2 kW)	327
SECTIONAL VIEW 150DMLVF (11, 13.6 kW)	328
SECTIONAL VIEW 150DMLVF (25, 35.7 kW)	329
SECTIONAL VIEW QDC LS50	330
SECTIONAL VIEW QDC LM50, LM65, LM80	331
SECTIONAL VIEW QDC LL80, LL100	332
SECTIONAL VIEW QDC LL125, LL150	333
SECTIONAL VIEW QDC LL250, 300	334
MECHANICAL SEALS TYPE A(20÷45), EAN(30÷45)	335
MECHANICAL SEALS TYPE EAN-60	336
MECHANICAL SEALS TYPE IEC 63 – IEC 72-71	337
MECHANICAL SEALS TYPE IEC 90-100-112-132 AND GM17-18-19-30-37	338
MECHANICAL SEALS TYPE IEC 160-180-200-250	339
MECHANICAL SEALS & BALL BEARINGS TABLE	340
- DIMENSIONS AND WEIGHT	400
DIMENSIONS 50DS	400
DIMENSIONS DS WITH QDC (1.5÷3.7 kW)	401
DIMENSIONS DS WITH QDC (5.5÷7.5 kW)	402
DIMENSIONS 40DSF (1.1, 1.8 kW)	403
DIMENSIONS 40DSF (5.7 kW)	405
DIMENSIONS 65DSF (15.9 kW)	407
DIMENSIONS DVS	409
DIMENSIONS DVS WITH QDC	410
DIMENSIONS DL	411
DIMENSIONS 65DL, 80DL (1.5÷3.7 kW) WITH QDC	412
DIMENSIONS 80DL (5.5÷7.5), 100DL WITH QDC	413
DIMENSIONS 150DL, 200DL WITH QDC	414
DIMENSIONS 250DL, 300DL WITH QDC	415
DIMENSIONS DL W/C	416
DIMENSIONS 65DL W/C, 80DL W/C (1.5÷3.7 kW) WITH QDC	417
DIMENSIONS 100DL W/C WITH QDC	418
DIMENSIONS DML	419
DIMENSIONS 80DML, 100DML (3.7÷5.5 kW) WITH QDC	420
DIMENSIONS 100DML, 150DML WITH QDC	421
DIMENSIONS 50DMLF (1.1 kW)	422
DIMENSIONS 65DMLF(1.1, 1.8 kW)	424
DIMENSIONS DMLV	426
DIMENSIONS 80DMLV WITH QDC	427
DIMENSIONS 100DMLV WITH QDC	428
DIMENSIONS 32DMLVF	429
DIMENSIONS 50DMLVF (1.1÷1.8kW)	430
DIMENSIONS 65DMLVF (1.9 kW)	432
DIMENSIONS 80DMLVF (4.6 kW)	434
DIMENSIONS 80DMLVF (18.2 kW)	436

CONTENTS

50 Hz

Rev. B

DIMENSIONS 80 DMLVF (18.2 kW)	438
DIMENSIONS 100 DMLVF	440
DIMENSIONS 150 DMLVF	442
- TECHNICAL DATA	500
MOTOR DATA DS, DVS (1.5÷3.7 kW)	500
MOTOR DATA DS (5.5÷7.5 kW)	501
MOTOR DATA DSF (1.1÷15.9 kW)	502
MOTOR DATA DL, DL W/C (1.5÷3.7 kW)	503
MOTOR DATA DL (5.5÷11 kW), DL W/C (5.5÷7.5 kW)	504
MOTOR DATA DL (15÷22 kW)	505
MOTOR DATA DL (30÷45 kW)	506
MOTOR DATA DML, DMLV (2.2÷3.7 kW)	507
MOTOR DATA DML, DMLV (5.5÷11 kW)	508
MOTOR DATA DML, DMLV (15÷22 kW)	509
MOTOR DATA DMLF (1.1÷1.8 kW)	510
MOTOR DATA DMLVF (0.5÷35.7 kW)	511
- ACCESSORIES	600
QDC SELECTION TABLE	600
QDC, ELBOW, TRIPOD AND FLANGE SELECTION TABLE	601

SPECIFICATION: DS/DSF (Sump Pump)

50 Hz

Rev. B

DS				
PUMP	Liquid Handled	Type of liquid	Dirty water	
		Max Temp. [°C]	40°	
		Max solids size [mm]	5	(50DS)
			6	(65DS)
			7	(80DS)
	8	(100DS)		
	Max fibers length [mm]	50		
	Submergence	Max [m]	4 (1.5 kW) 8 (2.2÷7.5 kW)	
		Min [m]	Refer to low water level (L.W.L.) and usage restriction in dimension	
	Construction	Impeller	Semi - open (with strainer)	
		Shaft seal type	Oil lubricated, single spring double mechanical seal	
	Connection	Suction	Strainer	
		Discharge [inch] [mm]	G1½ UNI ISO 228 (50DS 1.5 kW) DN 50, 65, 80, 100 PN 10 according to EN 1092-2	
	Materials	Casing	Cast iron	
		Impeller	Cast iron	
		Suction Cover	Stainless Steel (1.5 kW) Cast iron (2.2÷7.5 kW)	
Shaft		Aisi 403		
Motor frame		Cast iron		
Fasteners		Aisi 304		
Accessories	Standard	SiC/SiC/NBR Impeller side Carbon/Ceramic/NBR Motor side Lubricant: Turbine Oil VG32 (SAE 10W/20W)		
		Screwed flange oval type (1.5 kW). Discharge elbow (2.2÷7.5 kW).		
	Optional	Quick Discharge Connector (QDC): LS, LM, LL type		
Applicable standard of test		ISO 9906 Annex A		
MOTOR	Type		Three Phase air filled dry submersible	
	No. of Poles		2	
	Rotation speed [min ⁻¹]		~ 2850	
	Insulation Class		F	
	Protection degree		IP 68	
	Power Rating [kW]		1.5 ÷ 7.5	
	Frequency [Hz]		50 ±1%	
	Voltage [V]		380-415 ±10%	
	Starting		DOL	
	Over load protection		Built in	
	Cable	material	H07RN-F	
length [m]		6 (up to 1.5 kW), 10 (2.2 kW and above)		
Bearings		Permanently lubricated sealed ball bearings		

		DSF	
PUMP	Liquid Handled	Type of liquid	Dirty water
		Max Temp. [°C]	40°
		Max solids size [mm]	6 40DSF 1.1, 1.8 kW 7 40DSF 5.7 kW 10 65DSF
	Submergence	Max [m]	20
		Min [m]	Refer to low water level (L.W.L.) and usage restriction in dimension
	Construction	Impeller	Semi - open (with strainer)
		Shaft seal type	Oil lubricated, single spring single mechanical seal + Lip Seal up to 1.8 kW Oil lubricated, single spring double mechanical seal
	Connection	Suction	Strainer
		Discharge [mm]	Flange DN 40 Flange DN 65 according to EN 1092-2
	Materials	Casing	Cast iron
		Impeller	Cast iron
		Suction Cover	Cast iron
		Shaft	Aisi 420B
		Motor frame	Cast iron
Fasteners		Aisi 304	
	Mechanical seal	Carbon/Ceramic/NBR motor side 5.7 kW and above SiC/SiC/NBR impeller side Lubricant: AGIP ITE 360	
Accessories	Optional	Screwed flange square type (up to DN 40 discharge) Discharge threaded elbow (up to DN 40 discharge) Discharge elbow "hose" type (DN 65 discharge) Quick Discharge Connector (QDC): PA type	
Applicable standard of test		ISO 9906 Annex A	
MOTOR	Type	Single Phase	Three Phase
	Air filled dry submersible		
	No. of Poles	2	
	Rotation speed [min ⁻¹]	~ 2850	
	Insulation Class	H	
	Protection degree	IP 68	
	Power Rating [kW]	1.1 ÷ 1.8	5.7 ÷ 15.9
	Frequency [Hz]	50 -5/+3 %	
	Voltage [V]	230 ±10%	400/690 ±10%
	Starting	DOL	DOL - Y/Δ
	Over load protection	Built in motor protector	Built in heat probe
	Humidity probe	-	Yes
	Floating switch	Yes	-
	Cable	material	H07RN-F
length [m]		10	
size [mm ²]		3G1.5	12G1.5
Bearings		Permanently lubricated single row ball bearings	

SPECIFICATION: DVS (Semi-Vortex Pump)

50 Hz

Rev. B

DVS			
PUMP	Type of liquid	Water containing foreign matter	
	Max Temp. [°C]	40°	
	Liquid Handled	Max solids size [mm]	21 (50DVS)
			33 (65DVS & 80DVS 1.5 kW)
			41 (65DVS & 80DVS 2.2 - 3.7 kW)
	Max fibers length [mm]	100 (50DVS)	
		200 (65DVS & 80DVS 1.5 kW)	
		245 (65DVS & 80DVS 2.2 - 3.7 kW)	
	Submergence	Max [m]	4 (1.5 kW) 8 (2.2 ÷ 3.7 kW)
		Min [m]	Refer to low water level (L.W.L.) and usage restriction in dimension
	Construction	Impeller	Semi – Vortex
		Shaft seal type	Oil lubricated, single spring double mechanical seal
	Connection	Suction	Open
		Discharge [inch] [mm]	G1½ UNI ISO 228 (50DVS 1.5 kW) DN 50, 65, 80 PN 10 according to EN 1092-2
	Materials	Casing	Cast iron
Impeller		Cast iron	
Shaft		Aisi 403	
Motor frame		Cast iron	
Fasteners		Aisi 304	
Mechanical seal		SiC/SiC/NBR Impeller side Carbon/Ceramic/NBR Motor side Lubricant: Turbine Oil VG32 (SAE 10W/20W)	
Accessories	Standard	Screwed companion oval flange (50 DVS) Discharge elbow (65DVS & 80DVS)	
	Optional	Quick Discharge Connector (QDC): LS, LM, type	
Applicable standard of test		ISO 9906 Annex A	
MOTOR	Type	Three Phase air filled dry submersible	
	No. of Poles	2	
	Rotation speed [min ⁻¹]	~ 2850	
	Insulation Class	F	
	Protection degree	IP 68	
	Power Rating [kW]	1.5 ÷ 3.7	
	Frequency [Hz]	50±1%	
	Voltage [V]	380-415 ±10%	
	Starting	DOL	
	Over load protection	Built in	
	Cable material	H07RN-F	
	Cable length [m]	6 (up to 1.5 kW), 10 (2.2 kW and above)	
Bearings	Permanently lubricated sealed ball bearings		

SPECIFICATION: DL (Sewage Pump)

50 Hz

Rev. B

DL				
PUMP	Liquid Handled	Type of liquid	Sewage	
		Max Temp. [°C]	40°	
		Max solids size [mm]	35 (65DL)	76 (200DL up to 22kW)
			50 (80DL, all DLC)	76 (all 30÷44 kW)
	60 (100DL, 100DLB)		82 (250DL up to 22kW)	
	70 (150DL up to 22kW)		90 (300DL up to 22kW)	
	Max fibers length [mm]	195 (65DL)	500 (200DL up to 22kW)	
		240 (80DL, all DLC)	500 (all 30÷44 kW)	
		300 (100DL, 100DLB)	550 (250DL up to 22kW)	
		400 (150DL up to 22kW)	600 (300DL up to 22kW)	
	Submergence	Max [m]	8	
		Min [m]	Refer to low water level (L.W.L.) and usage restriction in dimension	
	Construction	Impeller	Non clog, semi-open	
		Shaft seal type	Oil lubricated, single (up to 3.7 kW) or tandem (5.5 kW and above) springs double mechanical seal	
	Connection	Suction	Open	
		Discharge [mm]	Flange DN 65, 80, 100, 150, 200, 250, 300 PN 10 according to EN 1092-2	
	Materials	Casing	Cast iron	
		Impeller	Cast iron	
Suction Cover		Cast iron		
Shaft		Aisi 403		
Motor frame		Cast iron		
Fasteners		Aisi 304		
Mechanical seal		SiC/SiC/NBR Impeller side		
		Carbon/Ceramic/NBR Motor side		
		Lubricant: Turbine Oil VG32 (SAE 10W/20W)		
Accessories	Standard	Discharge elbow		
	Optional	Quick Discharge Connector (QDC): LM, LL type		
Applicable standard of test		ISO 9906 Annex A		
MOTOR	Type	Three Phase air filled dry submersible		
	No. of Poles	4		
	Rotation speed [min ⁻¹]	~ 1450		
	Insulation Class	F		
	Protection degree	IP 68		
	Power Rating [kW]	1.5 ÷ 45		
	Frequency [Hz]	50±1%		
	Voltage [V]	380-415 ±10%(1.5÷7.5 kW)		
		400-415 ±10% (Δ connection 11÷22 kW)		
		380-415 ±10% (Δ connection 30÷45 kW)		
	Starting	DOL up to 7.5 kW Y/Δ from 11 kW up to 45 kW		
	Over load protection	Built in		
Cable	material	H07RN-F		
	length [m]	10		
Bearings	Permanently lubricated sealed ball bearings			

			DLW/C
PUMP	Liquid Handled	Type of liquid	Sewage
		Max Temp. [°C]	40°
		Max solids size [mm]	35 (65DLW/C)
			50 (80DLW/C)
	60 (100DLB W/C)		
	Max fibers length [mm]	195 (65DLW/C)	
		240 (80DLW/C)	
		300 (100DLW/C)	
	Submergence	Max [m]	8
		Min [m]	Refer to low water level (L.W.L.) and usage restriction in dimension
	Construction	Impeller	Non clog, semi-open with cutting action
		Shaft seal type	Oil lubricated, single (up to 3.7 kW) or tandem (5.5 kW and above) springs double mechanical seal
	Connection	Suction	Open
		Discharge [mm]	Flange DN 65, 80, 100 PN 10 according to EN 1092-2
Materials	Casing	Cast iron	
	Impeller	Cast iron	
	Suction Cover	Cast iron	
	Shaft	Aisi 403	
	Motor frame	Cast iron	
	Fasteners	Aisi 304	
Mechanical seal		SiC/SiC/NBR Impeller side	
		Carbon/Ceramic/NBR Motor side	
		Lubricant: Turbine Oil VG32 (SAE 10W/20W)	
Accessories	Standard	Discharge elbow	
	Optional	Quick Discharge Connector (QDC): LM, LL type	
Applicable standard of test		ISO 9906 Annex A	
MOTOR	Type		Three Phase air filled dry submersible
	No. of Poles		4
	Rotation speed [min ⁻¹]		~ 1450
	Insulation Class		F
	Protection degree		IP 68
	Power Rating [kW]		1.5 ÷ 7.5
	Frequency [Hz]		50±1%
	Voltage [V]		380-415 ±10%
	Starting		DOL (Direct on line)
	Over load protection		Built in
	Cable	material	H07RN-F
length [m]		10	
Bearings		Permanently lubricated sealed ball bearings	

DML				
PUMP	Liquid Handled	Type of liquid	Sewage	
		Max Temp. [°C]	40°	
		Max solids size [mm]	76	
		Max fibers length [mm]	500	
	Submergence	Max [m]	8	
		Min [m]	Refer to low water level (L.W.L.) and usage restriction in dimension	
	Construction	Impeller	Non clog, single channel	
		Shaft seal type	Oil lubricated, single spring double mechanical seal	
	Connection	Suction	Open	
		Discharge [mm]	Flange DN 80, 100, 150 PN 10 according to EN 1092-2	
	Materials	Casing	Cast iron	
		Impeller	Cast iron	
		Suction Cover	Cast iron	
		Shaft	Aisi 403	
		Motor frame	Cast iron	
		Fasteners	Aisi 304	
Accessories	Mechanical seal	SiC/SiC/NBR Impeller side Carbon/Ceramic/NBR Motor side Lubricant: Turbine Oil VG32 (SAE 10W/20W)		
	Standard	Discharge elbow		
	Optional	Quick Discharge Connector (QDC): LM, LL type		
	Applicable standard of test	ISO 9906 Annex A		
MOTOR	Type	Three Phase air filled dry submersible		
	No. of Poles	4		
	Rotation speed [min ⁻¹]	~ 1450		
	Insulation Class	F		
	Protection degree	IP 68		
	Power Rating [kW]	2.2 ÷ 22		
	Frequency [Hz]	50±1%		
	Voltage [V]	380-415 -10+6% (2.2 kW) 380-415 ±10% (3.7÷22 kW))		
	Starting	DOL 2.2 kW Y/Δ from 3.7 kW up to 22 kW		
	Over load protection	Built in motor protector 2.2 kW Built in heat probe from 3.7 kW up to 22 kW		
	Cable	material	H07RN-F	
		length [m]	10	
Bearings	Permanently lubricated sealed ball bearings			

DMLF			
PUMP	Liquid Handled	Type of liquid	Sewage
		Max Temp. [°C]	40°
		Max solids size [mm]	30 (1.1 kW) 40
	Submergence	Max [m]	20
		Min [m]	Refer to low water level (L.W.L.) and usage restriction in dimension
	Construction	Impeller	Non clog, single channel
		Shaft seal type	Oil lubricated, single spring single mechanical seal + Lip seal
	Connection	Suction	- (50DMLF) 50 (65DMLF)
		Discharge [mm]	Flange DN 50, 65
	Materials	Casing	Cast iron
		Impeller	Cast iron
		Suction Cover	Cast iron
		Shaft	Aisi 420B
		Motor frame	Cast iron
Fasteners		Aisi 304	
Accessories	Optional	Mechanical seal	SiC/SiC/NBR impeller side Lubricant: AGIP ITE 360
		Optional	Screwed flange square type Discharge threaded elbow Quick Discharge Connector (QDC): PA type
Applicable standard of test		ISO 9906 Annex A	
MOTOR	Type		Single Phase air filled dry submersible
	No. of Poles		2
	Rotation speed [min ⁻¹]	~ 2850	
	Insulation Class		H
	Protection degree		IP 68
	Power Rating [kW]	1.1 ÷ 1.8	
	Frequency [Hz]	50 -5/+3 %	
	Voltage [V]	230 ±10%	
	Starting		DOL
	Over load protection		Built in motor protector
	Floating switch		Only 1.1 kW
	Cable	material	H07RN-F
length [m]		10	
Bearings		Permanently lubricated single row ball bearings	

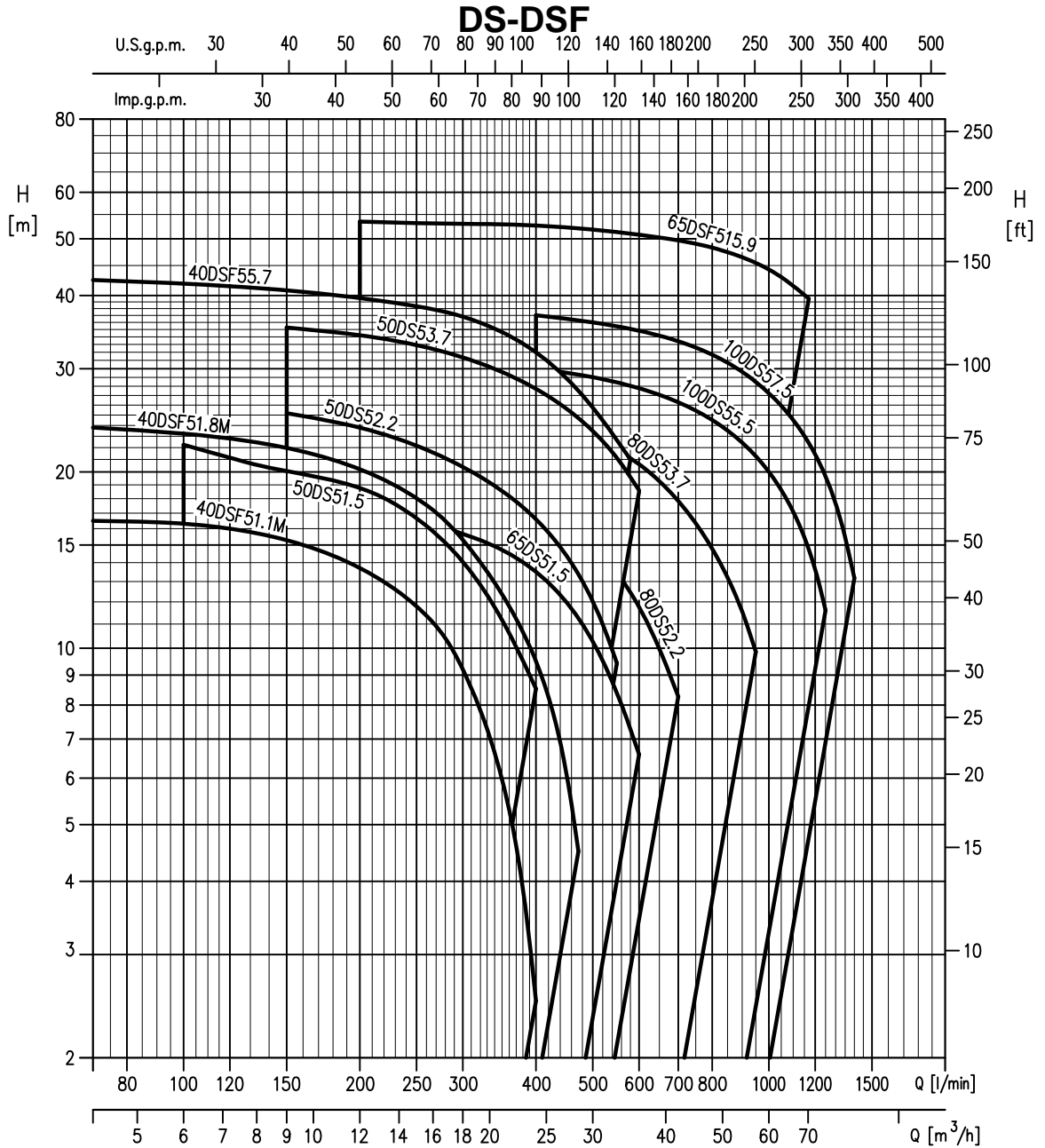
DMLV			
PUMP	Liquid Handled	Type of liquid	Sewage
		Max Temp. [°C]	40°
		Max solids size [mm]	80 (80DMLV) 100 (100DMLV)
		Max fibers length [mm]	400 (80DMLV) 500 (100DMLV)
	Submergence	Max [m]	8
		Min [m]	Refer to low water level (L.W.L.) and usage restriction in dimension
	Construction	Impeller	Vortex
		Shaft seal type	Oil lubricated, single spring double mechanical seal
	Connection	Suction	Open
		Discharge [mm]	Flange DN 80, 100 PN 10 according to EN 1092-2
	Materials	Casing	Cast iron
		Impeller	Cast iron
		Suction Cover	Cast iron
		Shaft	Aisi 403
		Motor frame	Cast iron
		Fasteners	Aisi 304
		Mechanical seal	SiC/SiC/NBR Impeller side Carbon/Ceramic/NBR Motor side Lubricant: Turbine Oil VG32 (SAE 10W/20W)
Accessories	Standard	Discharge elbow	
	Optional	Quick Discharge Connector (QDC): LM, LL type	
Applicable standard of test		ISO 9906 Annex A	
MOTOR	Type		Three Phase air filled dry submersible
	No. of Poles		4
	Rotation speed [min ⁻¹]	~ 1450	
	Insulation Class		F
	Protection degree		IP 68
	Power Rating [kW]	2.2 ÷ 22	
	Frequency [Hz]	50±1%	
	Voltage [V]	380-415 -10+6% (2.2 kW) 380-415 ±10% (3.7÷22 kW))	
	Starting	DOL 2.2 kW Y/Δ from 3.7 kW up to 22 kW	
	Over load protection	Built in motor protector 2.2 kW Built in heat probe from 3.7 kW up to 22 kW	
	Cable	material	H07RN-F
		length [m]	10
Bearings		Permanently lubricated sealed ball bearings	

		DMLVF				
PUMP	Liquid Handled	Type of liquid	Sewage			
		Max Temp. [°C]	40°			
	Max solids size [mm]	30	32DMLVF	40x50	80DMLVF518.2 (188)	
		50	50DMLVF	80	80DMLVF518.2 (225),	
		64	80DMLVF54.6		100DMLVF	
		65	65DMLVF	100	150DMLVF	
	Submergence	Max [m]	20			
		Min [m]	Refer to low water level (L.W.L.) and usage restriction in dimension			
	Construction	Impeller	Vortex			
		Shaft seal type	Oil lubricated, single spring single mechanical seal + Lip Seal (up to 1.9 kW) Oil lubricated, single spring double mechanical seal			
	Connection	Suction (* According to EN 10-2-2) [mm]	30	32DMLVF	DN80 *	80DMLVF518.2 (188)
			55	50DMLVF	DN100 *	80DMLVF518.2 (225)
-			65DMLVF	DN125 *	100DMLVF	
55			50DMLVF	DN150 *	150DMLVF	
Discharge (* According to EN 10-2-2) [mm]	1 1/4	32DMLVF	DN80	80DMLVF - EN 1092-2		
	50	50DMLVF	DN100	100DMLVF- EN 1092-2		
	65	65DMLVF	DN150	150DMLVF - EN 1092-2		
	55	50DMLVF				
Materials	Casing	Cast iron				
	Impeller	Cast iron				
	Suction Cover	Cast iron				
	Shaft	Aisi 420B				
	Motor frame	Cast iron				
	Fasteners	Aisi 304				
	Mechanical seal	Carbon/Ceramic/NBR SiC/SiC/NBR Carbon/Ceramic/NBR Lubricant: AGIP ITE 360	Impeller side (32DMLVF) Impeller side Motor side (4.6 kW and above)			
Accessories	Standard	Screwed flange square type Discharge threaded elbow Quick Discharge Connector (QDC): PA type				
Applicable standard of test		ISO 9906 Annex A				
MOTOR	Type	Single Phase		Three Phase		
	air filled dry submersible					
	No. of Poles	2		4	6	
	Rotation speed [min ⁻¹]	~ 2850		~ 1450	~ 950	
	Insulation Class	H				
	Protection degree	IP 68				
	Power Rating [kW]	0.5 ÷ 37.5				
	Frequency [Hz]	50 -5/+3 %				
	Voltage [V]	230 ±10%		400/690 ±10%		
	Starting	DOL		DOL - Y/Δ		
	Over load protection	Built in motor protector		Built in heat probe		
	Humidity probe	-		Yes		
	Floating switch	Up to 1.8 kw		-		
	Cable	material	H07RN-F			
length [m]		5 (32DMLVF) 10				
Bearings	Permanently lubricated single row ball bearings Permanently lubricated double row ball bearings					

SELECTION CHART

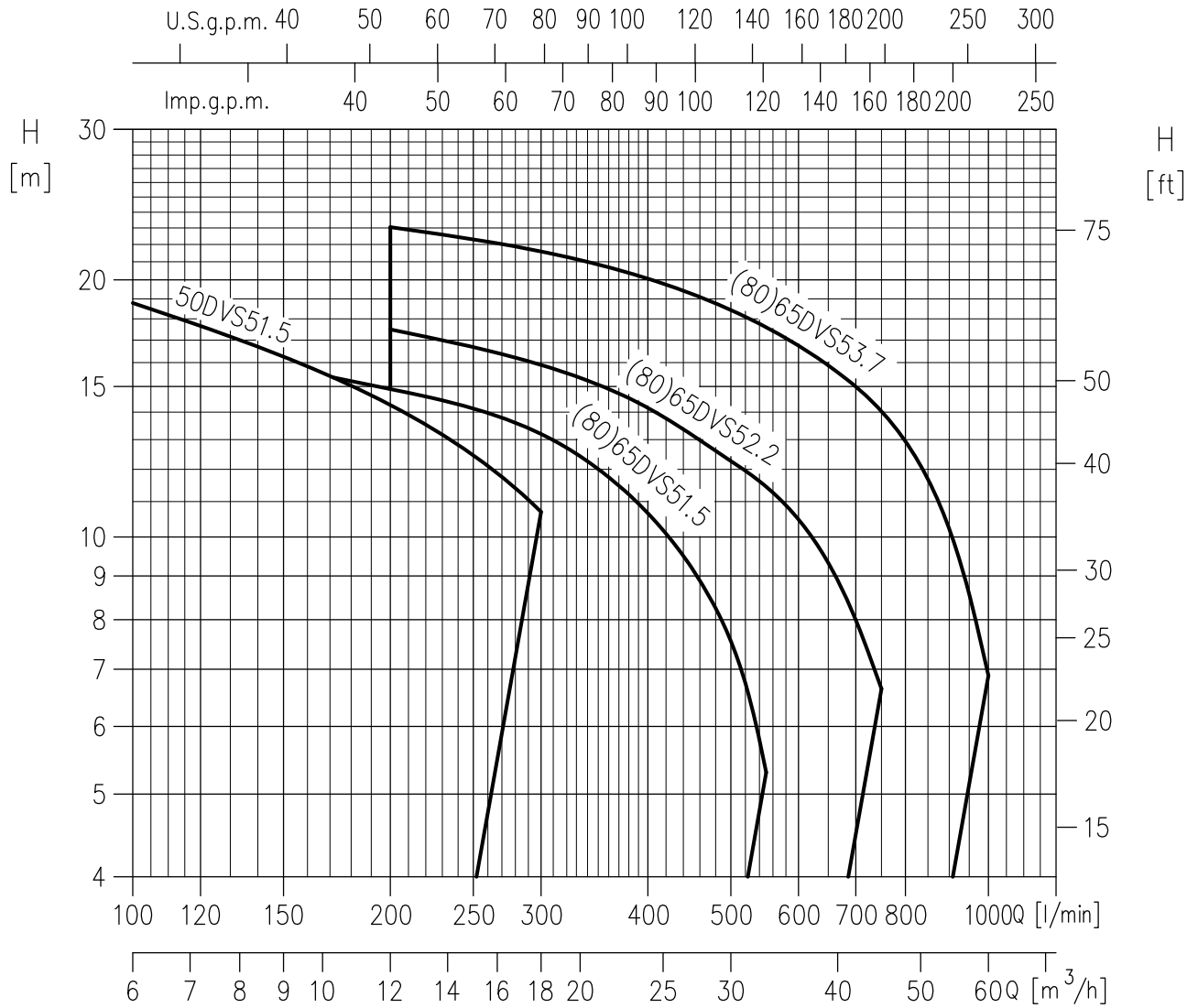
50 Hz

Rev. B



Pump Type	Power		Q=Capacity																						
	[kW]	[HP]	l/min	0	70	100	150	200	250	300	400	450	473	500	550	580	600	700	800	950	1000	1170	1200	1250	1400
			m³/h	0	4	6	9	12	15	18	24	27	28	30	33	35	36	42	48	57	60	70	72	75	84
40DSF51.1M	1.1	1.5	16,8	16,5	16,1	15,3	14,1	12	9,2	2,5	-	-	-	-	-	-	-	-	-	-	-	-	-	-	-
40DSF51.8M	1.8	2.5	24,5	23,8	23,2	22	20,3	18,3	15,3	9,5	6	4,5	-	-	-	-	-	-	-	-	-	-	-	-	-
40DSF55.7	5.7	7.5	43	42,5	42	41,5	40	38,9	36,8	32	29	27,5	25,8	23	21	-	-	-	-	-	-	-	-	-	-
50DS51.5	1.5	2	24	-	22,3	20,7	18,8	16,5	14	8,5	-	-	-	-	-	-	-	-	-	-	-	-	-	-	-
50DS52.2	2.2	3	27	-	-	25,2	23,7	22,1	20,4	16,6	14,4	13,3	12	9,4	-	-	-	-	-	-	-	-	-	-	-
50DS53.7	3.7	5	37,4	-	-	35,3	34,2	32,9	31,4	27,7	25,7	24,6	23,5	21,1	19,5	18,6	-	-	-	-	-	-	-	-	-
65DS51.5	1.5	2	18	-	-	17,5	17,1	16,5	15,7	13,5	12	11,2	10,3	8,5	7,3	6,6	-	-	-	-	-	-	-	-	-
65DSF515.9	15.9	21.5	53	-	-	54	53,5	53,5	52,5	52	52	52	51,5	51	51	51	49,5	48	45	44	39,5	-	-	-	-
80DS52.2	2.2	3	22	-	-	-	20,8	20,2	19,4	17,6	16,4	15,8	15	13,4	12,5	11,8	8,3	-	-	-	-	-	-	-	-
80DS53.7	3.7	5	27,5	-	-	-	26,3	25,8	24,6	23,7	23,3	22,8	21,8	21,2	20,6	17,8	14,8	9,9	-	-	-	-	-	-	-
100DS55.5	5.5	7.5	31,6	-	-	-	-	-	30,7	30	29,5	29,3	29	28,4	28	27,8	26,3	24,5	21,3	20,0	14,8	13,6	11,6	-	-
100DS57.5	7.5	10	39,2	-	-	-	-	-	-	37	36,6	36,3	36	35,5	35,1	34,8	33,4	31,7	28,5	27,3	22,5	21,4	19,7	13,2	-

DVS



Pump Type	Power		Q=Capacity												
	[kW]	[HP]	l/min 0	100	150	200	300	400	500	550	600	700	750	900	1000
50DVS51.5	1.5	2	22.0	18.8	16.6	14.3	10.7	-	-	-	-	-	-	-	-
(80)65DVS51.5	1.5	2	18.6	-	15.8	14.9	13.2	10.9	7.6	5.3	-	-	-	-	-
(80)65DVS52.2	2.2	3	20.3	-	-	17.5	15.9	14.2	12.3	11.5	10.5	8.1	6.6	-	-
(80)65DVS53.7	3.7	5	25.7	-	-	23.0	21.6	20.1	18.4	17.6	16.7	15.0	14.0	10.4	6.9

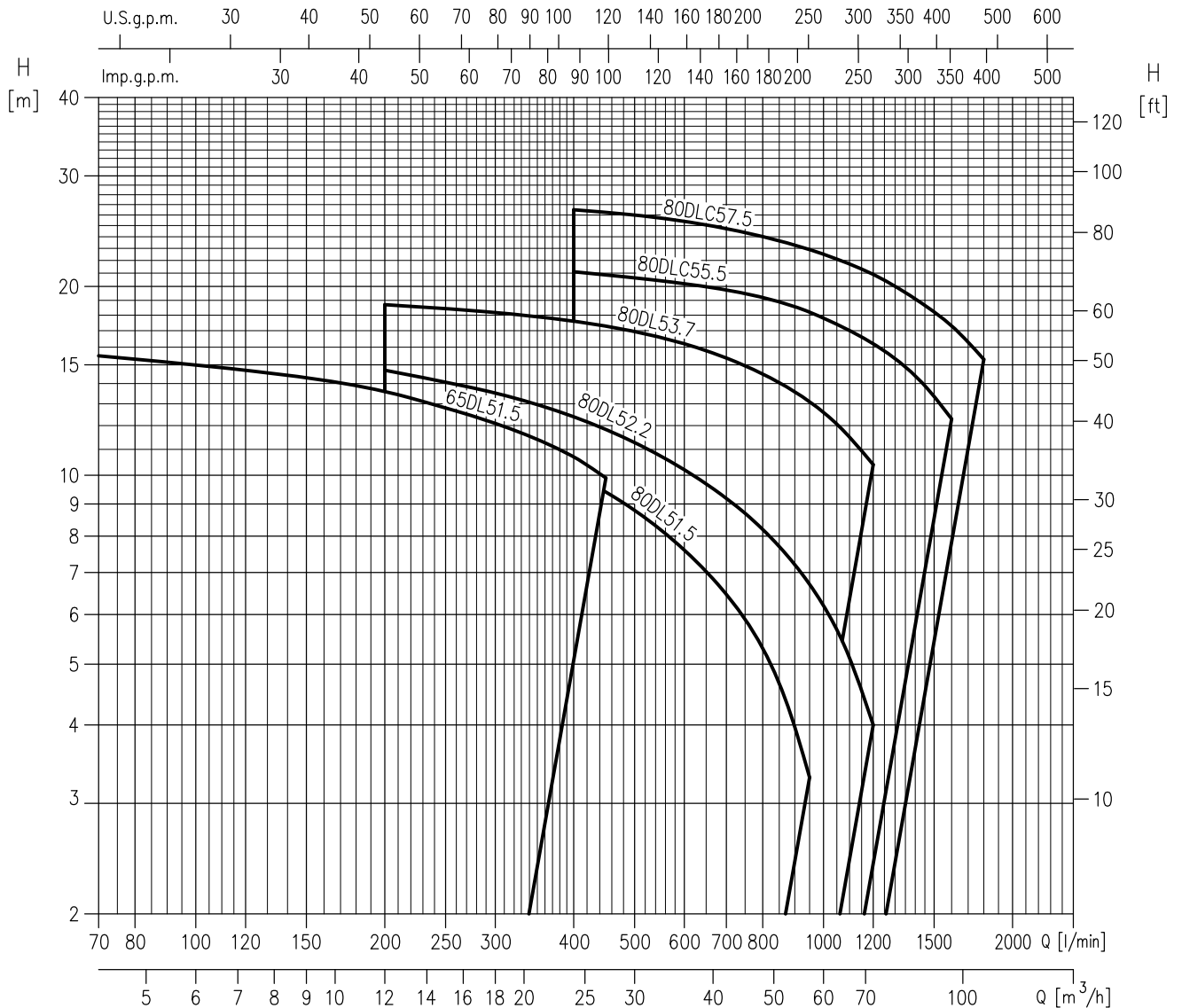
H=Total manometric head in meters

SELECTION CHART

50 Hz

Rev. B

65DL, 80DL



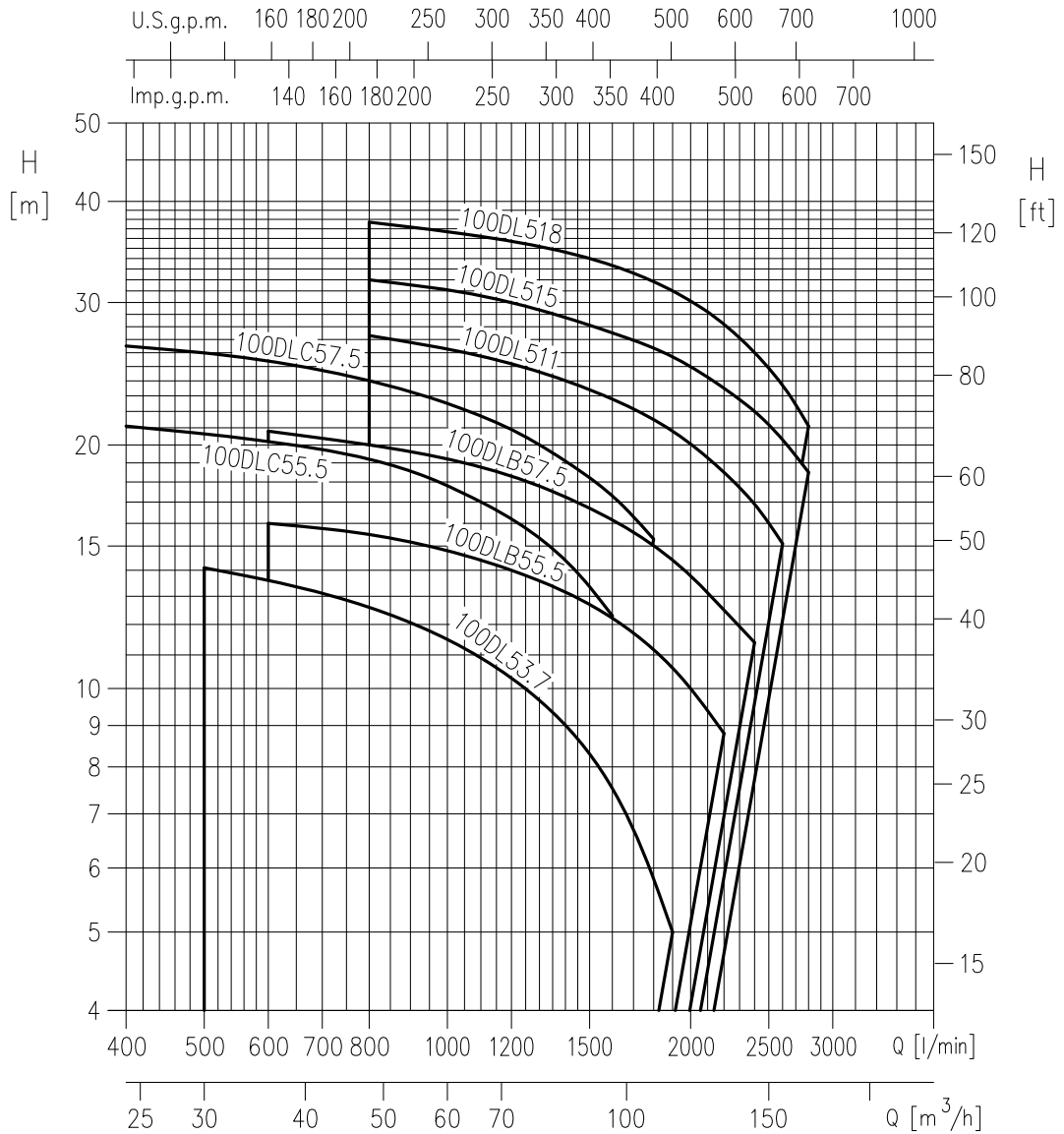
Pump Type	Power		Q=Capacity													
	[kW]	[HP]	l/min 0	70	150	200	400	450	600	800	950	1000	1200	1400	1600	1800
			m³/h 0	4	9	12	24	27	36	48	57	60	72	84	96	108
H=Total manometric head in meters																
65DL51.5	1.5	2	16,4	15,5	14,3	13,6	10,7	9,9	-	-	-	-	-	-	-	-
80DL51.5	1.5	2	14,0	-	-	12,2	10,0	9,4	7,6	5,3	3,3	-	-	-	-	-
80DL52.2	2.2	3	17,1	-	-	14,7	12,4	11,8	10,2	8,2	6,7	6,2	4,0	-	-	-
80DL53.7	3.7	5	19,4	-	-	18,7	17,6	17,3	16,2	14,5	13,1	12,6	10,4	-	-	-
80DLC55.5	5.5	7.5	22,2	-	-	-	21,1	20,9	20,2	19,2	18,2	17,8	16,2	14,4	12,3	-
80DLC57.5	7.5	10	28,0	-	-	-	26,5	26,3	25,4	24,0	22,9	22,5	20,9	19,1	17,3	15,3

SELECTION CHART

50 Hz

Rev. B

100DL



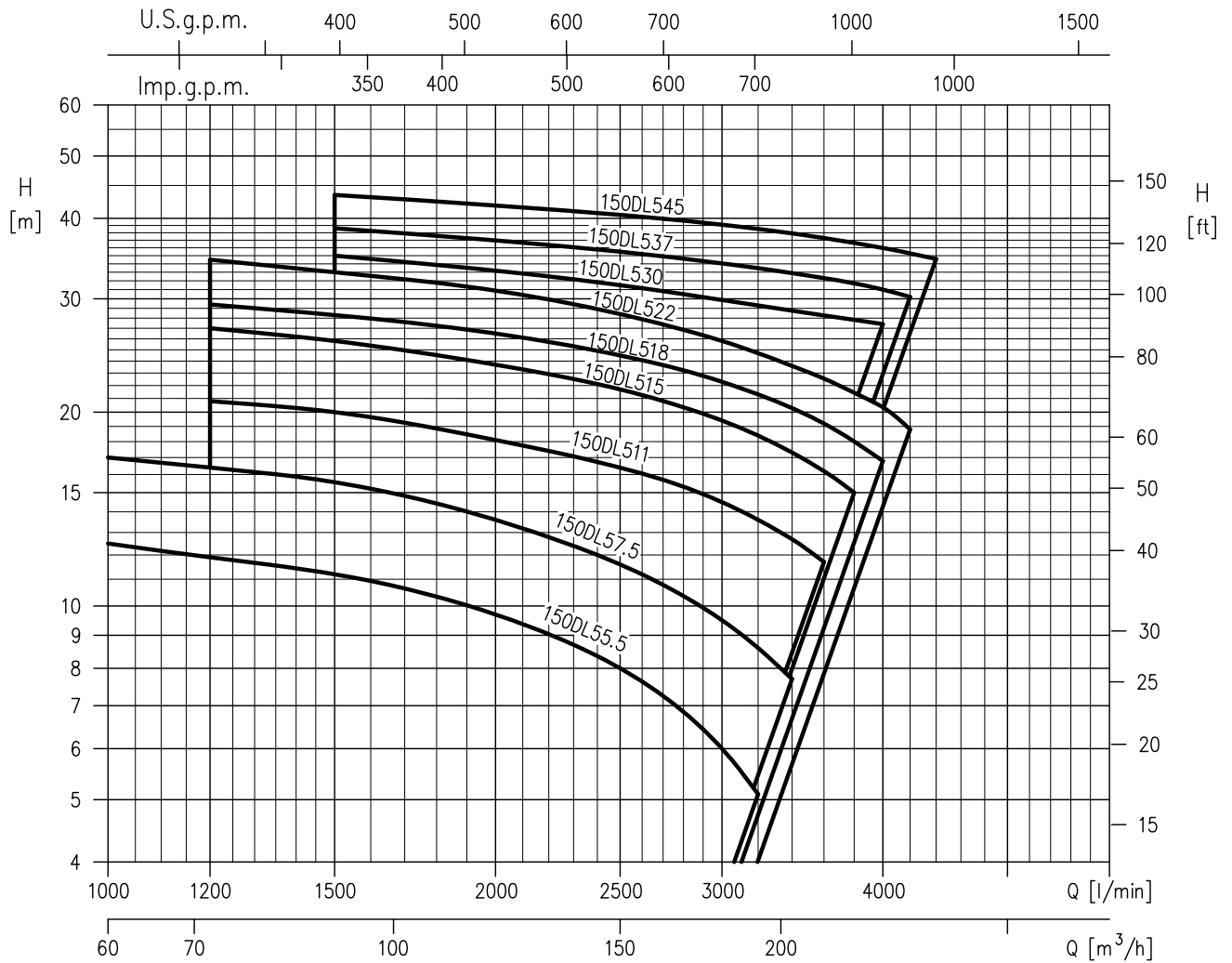
Pump Type	Power		Q=Capacity													
	[kW]	[HP]	l/min 0	400	500	600	800	1200	1500	1600	1800	1900	2200	2400	2600	2800
			m³/h 0	24	30	36	48	72	90	96	108	114	132	144	156	168
			H=Total manometric head in meters													
100DLC55.5	5.5	7.5	22,2	21,1	20,7	20,2	19,2	16,2	13,3	12,3	-	-	-	-	-	-
100DLC57.5	7.5	10	28,0	26,5	25,9	25,4	24,0	20,9	18,3	17,3	15,3	-	-	-	-	-
100DL53.7	3.7	5	16,0	-	14,1	13,6	12,6	10,3	8,3	7,5	5,9	5,0	-	-	-	-
100DLB55.5	5.5	7.5	17,0	-	-	16,0	15,5	14,0	12,7	12,2	11,1	10,6	8,8	-	-	-
100DLB57.5	7.5	10	22,5	-	-	20,8	20,0	18,3	16,7	16,1	15,1	15,0	12,5	11,4	-	-
100DL511	11	15	30,4	-	-	-	27,3	25,2	23,4	22,8	21,5	20,8	18,5	16,9	15,1	-
100DL515	15	20	33,9	-	-	-	32,0	30,0	28,1	27,6	26,4	25,7	23,5	22,0	20,3	18,5
100DL518.5	18.5	25	41,0	-	-	-	37,7	35,7	34,0	33,4	31,9	31,0	28,2	26,0	23,7	21,1

SELECTION CHART

50 Hz

Rev. B

150DL



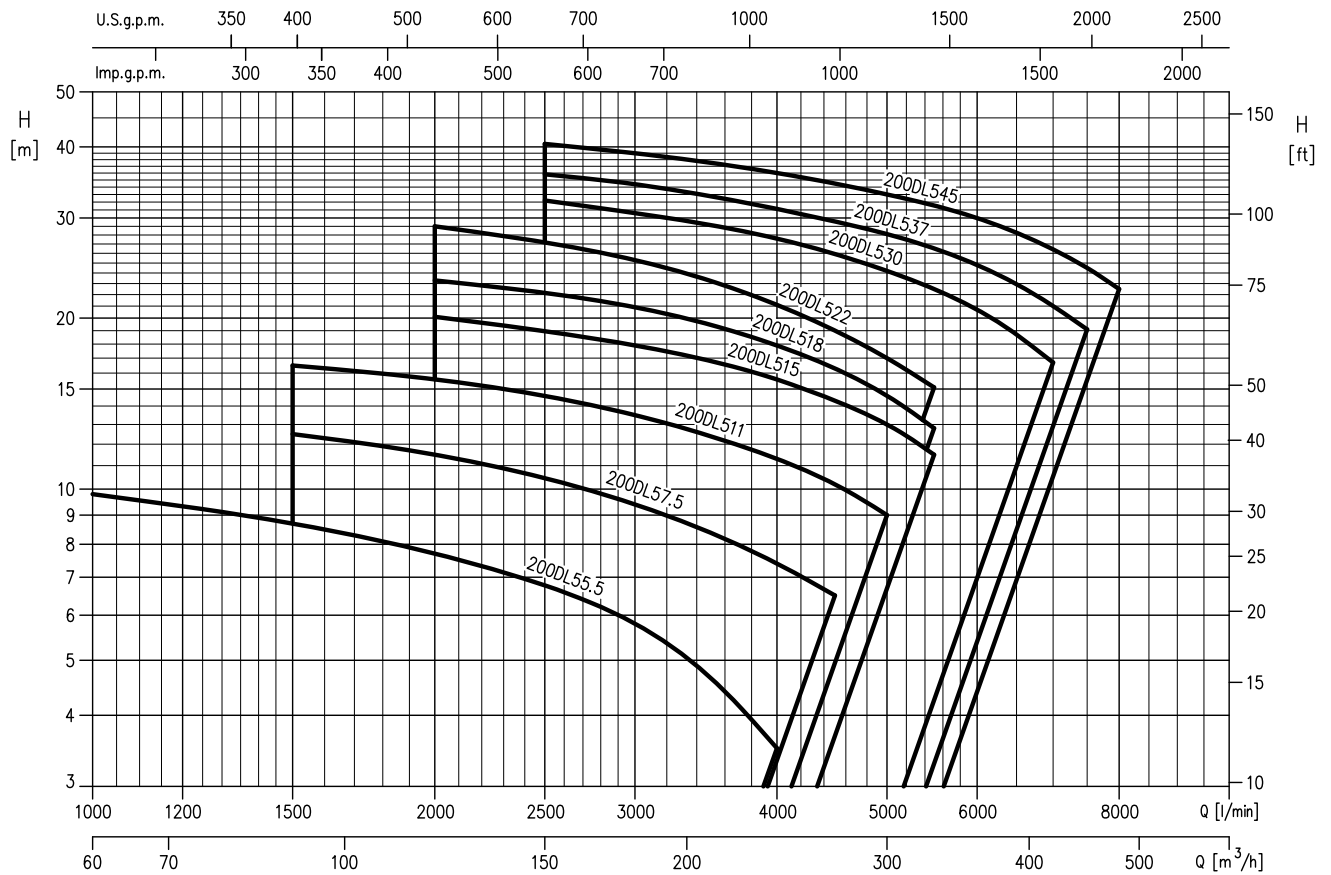
Pump Type	Power		Q=Capacity														
	[kW]	[HP]	l/min 0	1000	1200	1500	2000	2500	3000	3200	3400	3500	3600	3800	4000	4200	4400
			m³/h 0	60	72	90	120	150	180	192	204	210	216	228	240	252	264
H=Total manometric head in meters																	
150DL55.5	5.5	7.5	15,8	12,5	11,9	11,2	9,7	8,0	6,0	5,1	-	-	-	-	-	-	-
150DL57.5	7.5	10	19,6	17,0	16,4	15,2	13,6	11,6	9,5	8,6	7,7	-	-	-	-	-	-
150DL511	11	15	24,7	-	20,8	20,0	18,1	16,4	14,5	13,6	12,7	12,2	11,7	-	-	-	-
150DL515	15	20	31,4	-	27,0	25,8	23,7	21,7	19,4	18,4	17,3	16,8	16,2	15,0	-	-	-
150DL518.5	18,5	25	32,5	-	29,4	28,3	26,5	24,5	22,3	21,3	20,3	19,8	19,2	18,0	16,8	-	-
150DL522	22	30	38,7	-	34,5	33,0	30,9	28,4	25,8	24,7	23,6	23,0	22,4	21,2	20,5	18,8	-
150DL530	30	40	39,0	-	-	35,0	33,2	31,5	29,9	29,3	28,8	28,5	28,3	27,8	27,4	-	-
150DL537	37	50	43,0	-	-	38,6	37,0	35,5	34,1	33,5	32,9	32,6	32,3	31,7	31,0	30,2	-
150DL545	45	60	48,0	-	-	43,5	42,0	40,5	39,1	38,5	37,9	37,6	37,3	36,7	36,0	35,3	34,6

SELECTION CHART

50 Hz

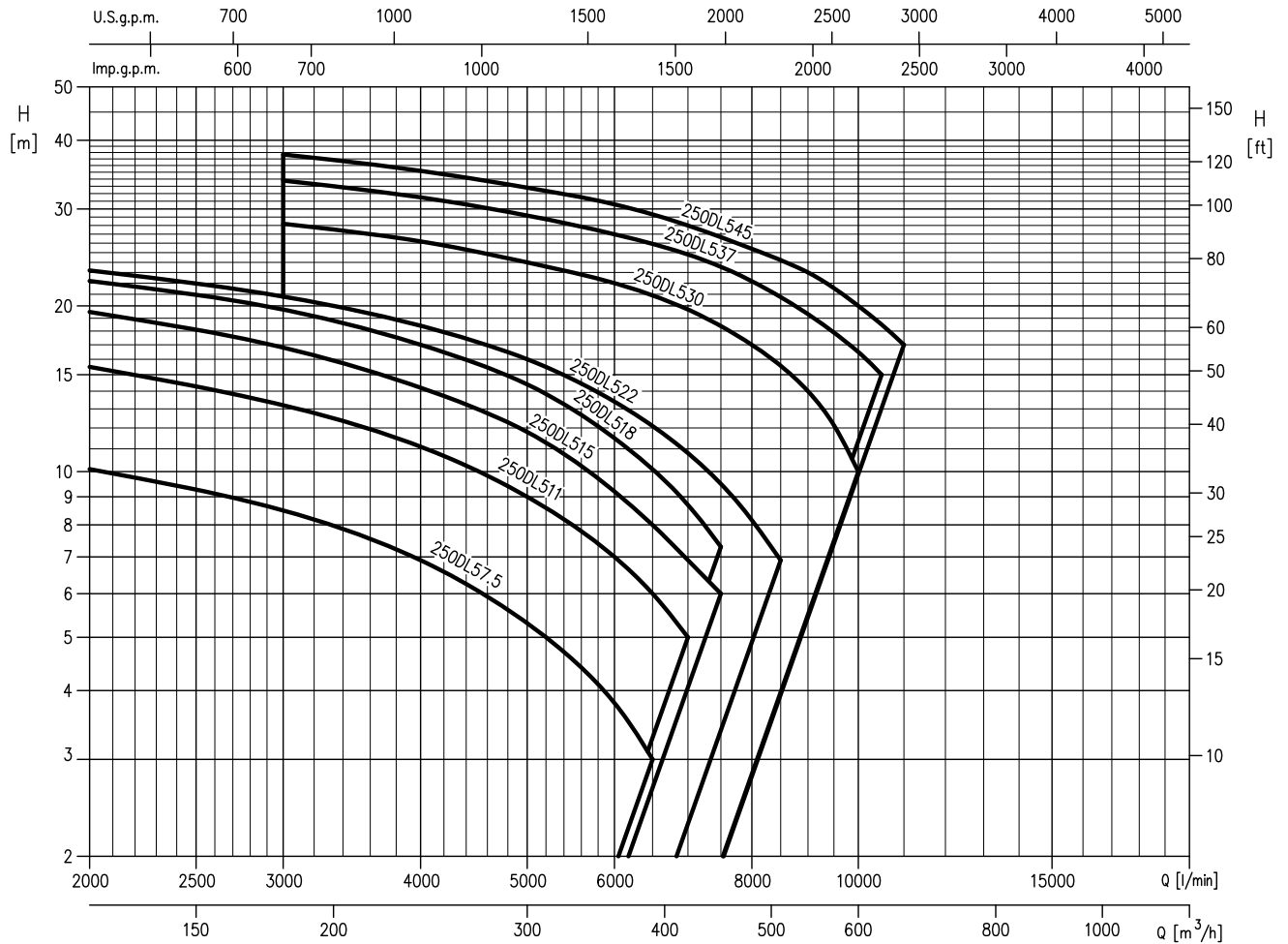
Rev. B

200DL



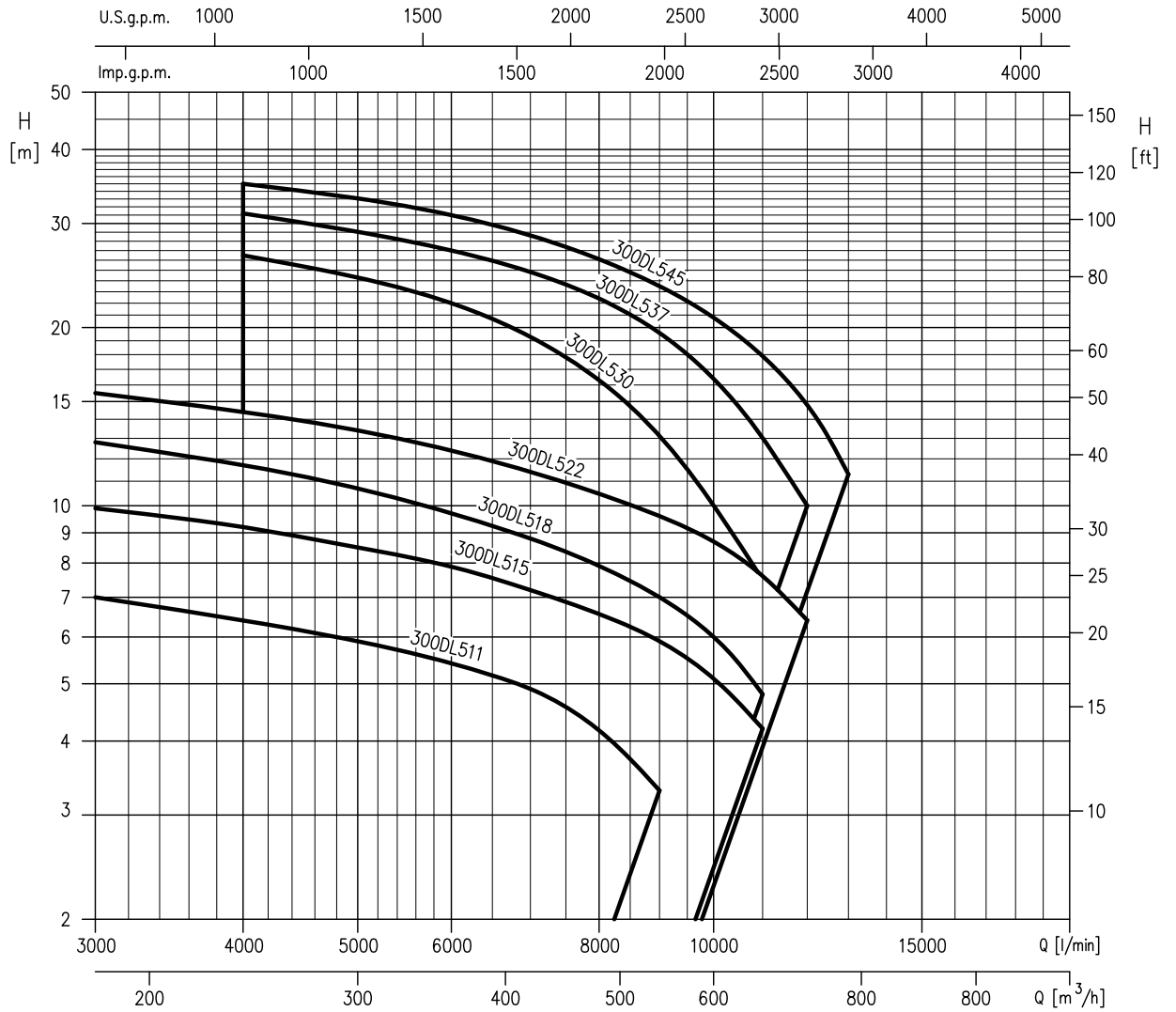
Pump Type	Power		Q=Capacity													
	[kW]	[HP]	l/min 0	1000	1500	2000	2500	3000	4000	4500	5000	5500	6000	7000	7500	8000
			m³/h 0	60	90	120	150	180	240	270	300	330	360	420	450	480
H=Total manometric head in meters																
200DL55.5	5.5	7.5	12,0	9,8	8,7	7,7	6,8	5,8	3,5	-	-	-	-	-	-	-
200DL57.5	7.5	10	15,5	-	12,5	11,5	10,5	9,4	7,4	6,5	-	-	-	-	-	-
200DL511	11	15	19,7	-	16,5	15,6	14,6	13,5	11,3	10,2	9,0	-	-	-	-	-
200DL515	15	20	23,9	-	-	20,1	19,0	17,9	15,6	14,3	13,0	11,5	-	-	-	-
200DL518.5	18,5	25	26,5	-	-	23,3	22,2	20,9	17,9	16,3	14,6	12,8	-	-	-	-
200DL522	22	30	34,9	-	-	29,0	27,2	25,3	21,1	19,0	17,0	15,1	-	-	-	-
200DL530	30	40	39,7	-	-	-	32,2	30,6	27,6	25,9	24,2	22,5	20,7	16,7	-	-
200DL537	37	50	43,0	-	-	-	35,8	34,4	31,1	29,6	28,1	26,5	24,8	21,0	19,1	-
200DL545	45	60	48,0	-	-	-	40,5	39,0	36,0	34,5	33,0	31,5	30,0	26,4	24,5	22,5

250DL



Pump Type	Power		Q=Capacity														
	[kW]	[HP]	l/min	2000	3000	4000	5000	6000	6500	7000	7500	8000	8500	9000	10000	10500	11000
			m ³ /h	120	180	240	300	360	390	420	450	480	510	540	600	630	660
H=Total manometric head in meters																	
250DL57.5	7.5	10	13,6	10,1	8,5	6,9	5,3	3,8	3,0	-	-	-	-	-	-	-	-
250DL511	11	15	20,2	15,5	13,2	11,1	9,0	7,0	6,0	5,0	-	-	-	-	-	-	-
250DL515	15	20	25,2	19,5	16,8	14,2	11,8	9,2	8,0	6,9	6,0	-	-	-	-	-	-
250DL518.5	18,5	25	27,0	22,2	19,7	17,0	14,4	11,5	10,1	8,7	7,3	-	-	-	-	-	-
250DL522	22	30	27,8	23,2	20,8	18,4	16,0	13,4	12,1	10,8	9,5	8,2	6,9	-	-	-	-
250DL530	30	40	36,0	-	28,2	26,2	24,0	22,0	20,9	19,7	18,4	17,0	15,6	14,0	10,0	-	-
250DL537	37	50	40,0	-	33,8	31,5	29,2	27,0	25,9	24,8	23,5	22,2	20,8	19,3	16,5	15,0	-
250DL545	45	60	45,0	-	37,7	35,2	32,8	30,6	29,3	28,0	26,7	25,4	24,2	23,0	20,0	18,5	17,0

300DL



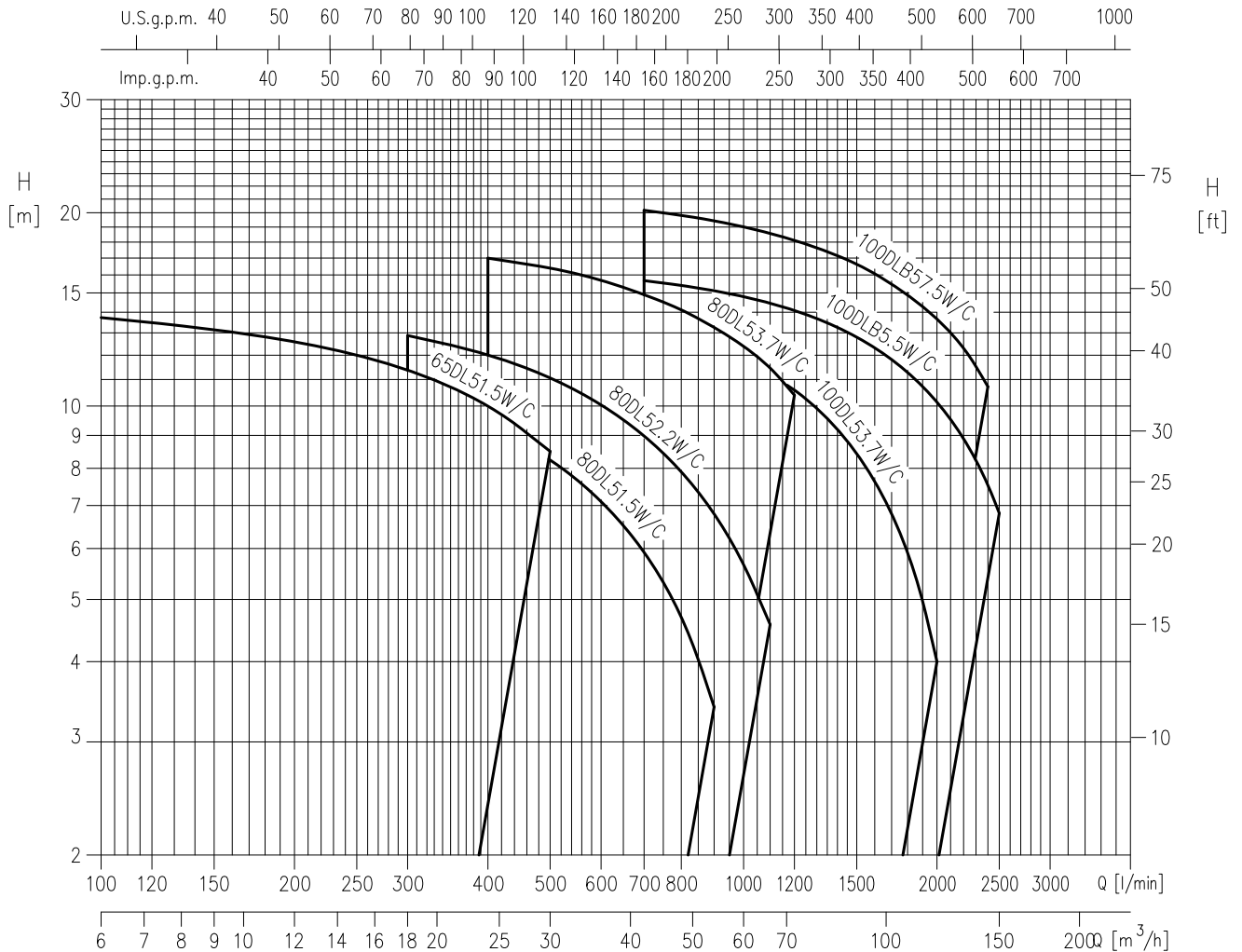
Pump Type	Power		Q=Capacity											
			l/min	3000	4000	5000	6000	7000	8000	9000	10000	11000	12000	13000
	[kW]	[HP]	m³/h	180	240	300	360	420	480	540	600	660	720	780
300DL511	11	15	9,2	7,0	6,4	5,9	5,5	4,9	4,2	3,3	-	-	-	-
300DL515	15	20	12,2	9,9	9,2	8,5	8,0	7,2	6,6	5,9	5,1	4,2	-	-
300DL518.5	18,5	25	16,6	12,8	11,7	10,7	9,7	8,8	7,9	7,0	6,0	4,8	-	-
300DL522	22	30	19,0	15,5	14,4	13,4	12,4	11,4	10,5	9,6	8,7	7,6	6,4	-
300DL530	30	40	36,0	-	26,5	24,4	22,0	19,3	16,3	13,1	10,0	7,5	-	-
300DL537	37	50	40,0	-	31,2	29,2	27,0	24,8	22,4	19,6	16,4	13,0	10,0	-
300DL545	45	60	45,0	-	35,0	33,1	31,0	28,6	26,1	23,5	20,8	17,9	14,8	11,3

SELECTION CHART

50 Hz

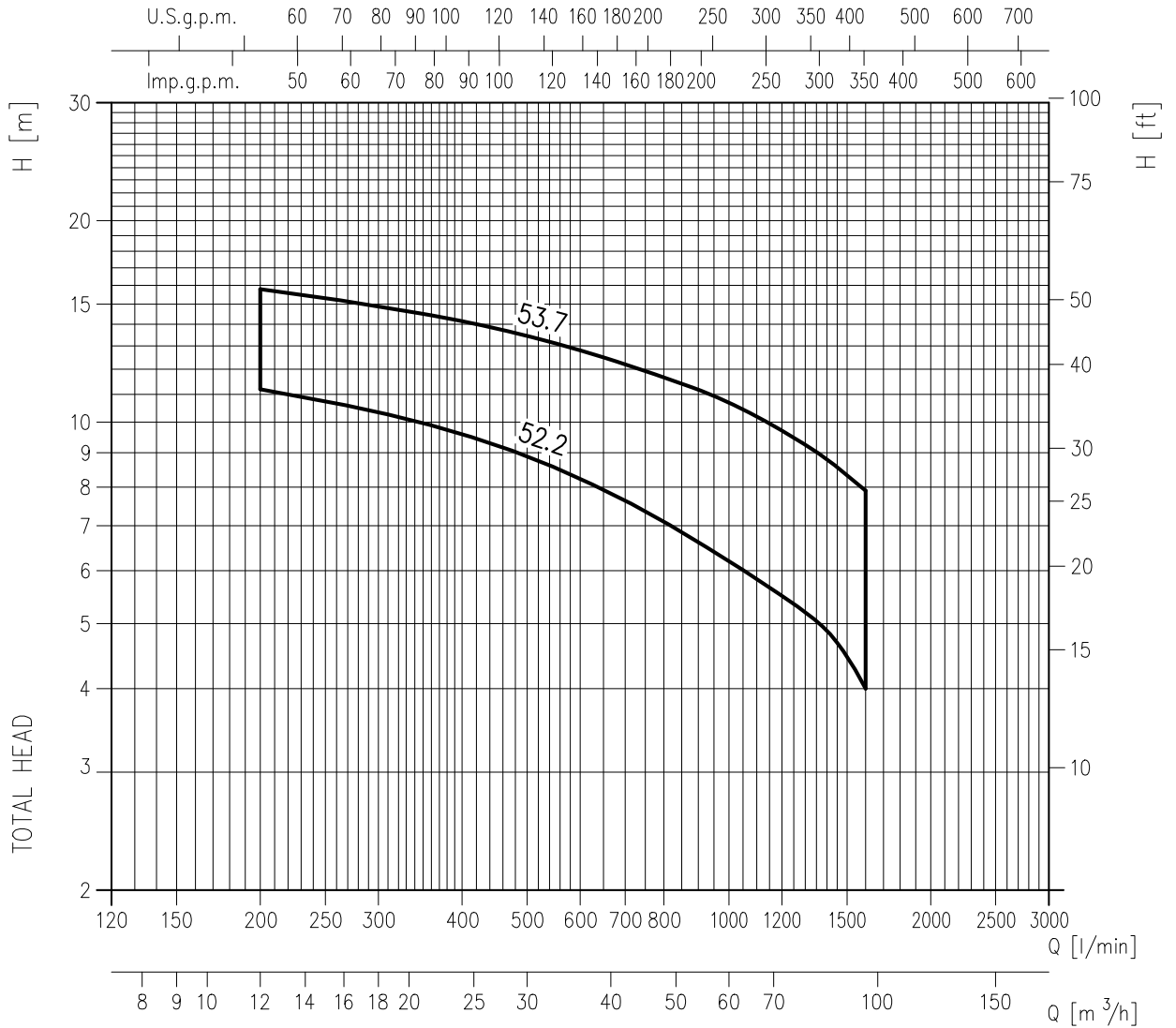
Rev. B

DL W/C



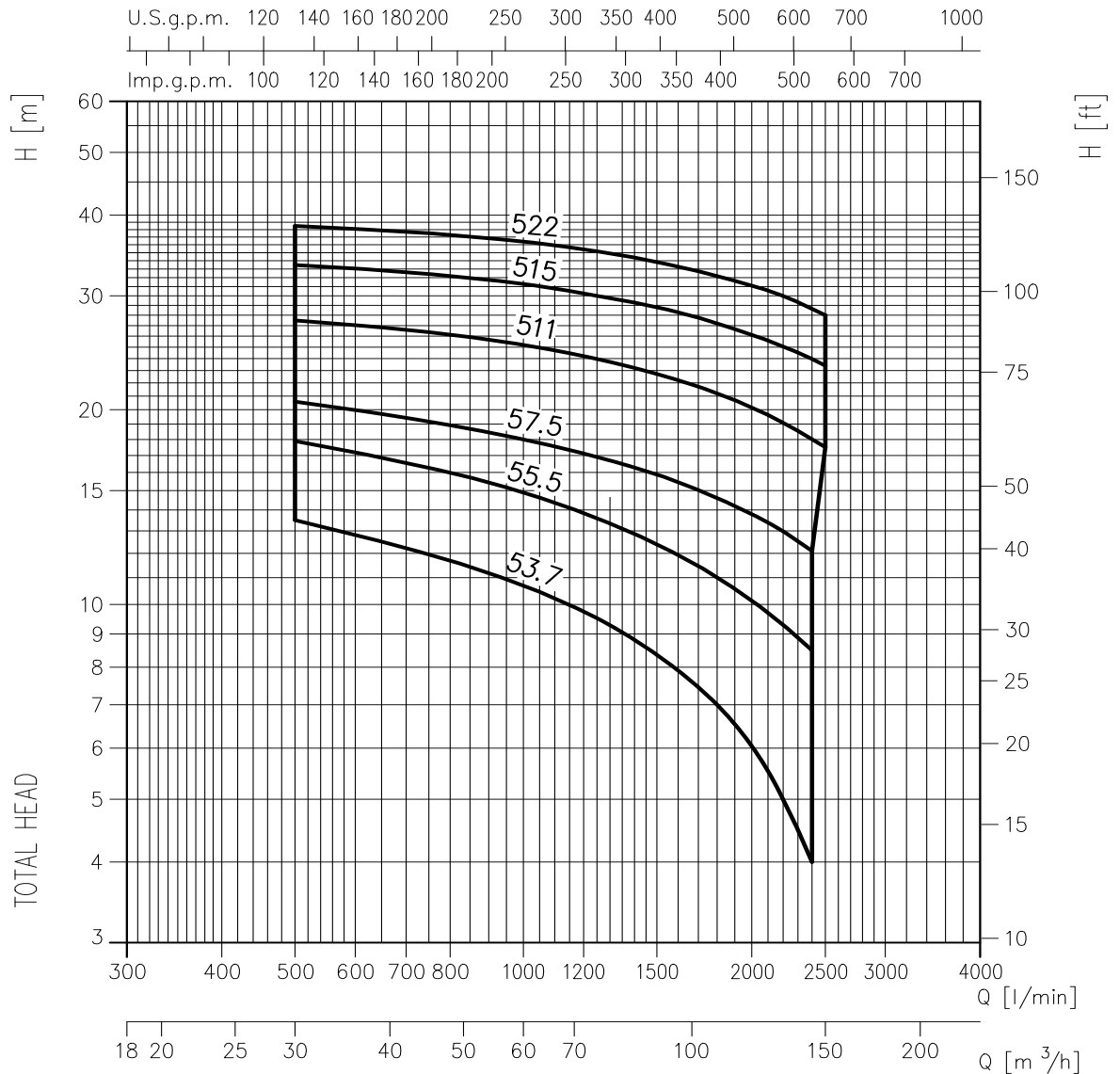
Pump Type	Power		Q=Capacity																
	[kW]	[HP]	l/min	100	250	300	400	500	700	900	1000	1100	1200	1400	1600	2000	2400	2500	
			m³/h	6	15	18	24	30	42	54	60	66	72	84	96	120	144	150	
			H=Total manometric head in meters																
65DL51.5W/C	1.5	2	14,8	13,7	12,0	11,4	10,0	8,5	-	-	-	-	-	-	-	-	-	-	-
80DL51.5W/C	1.5	2	12,7	-	10,7	10,3	9,3	8,2	5,9	3,4	-	-	-	-	-	-	-	-	-
80DL52.2W/C	2.2	3	15,2	-	-	12,9	12,0	11,1	9,0	6,8	5,7	4,6	-	-	-	-	-	-	-
80DL53.7W/C	3.7	5	18,5	-	-	-	17,0	16,4	14,9	13,4	12,6	11,6	10,4	-	-	-	-	-	-
100DL53.7W/C	3.7	5	16,1	-	-	-	-	14,1	13,1	12,2	11,7	11,2	10,6	9,2	7,6	4,0	-	-	-
100DLB55.5W/C	5.5	7.5	16,9	-	-	-	-	-	15,7	15,1	14,8	14,5	14,1	13,3	12,3	10,1	7,5	6,8	-
100DLB57.5W/C	7.5	10	22,5	-	-	-	-	-	20,2	19,4	19,0	18,6	18,1	17,2	16,1	13,7	10,7	-	-

80DML



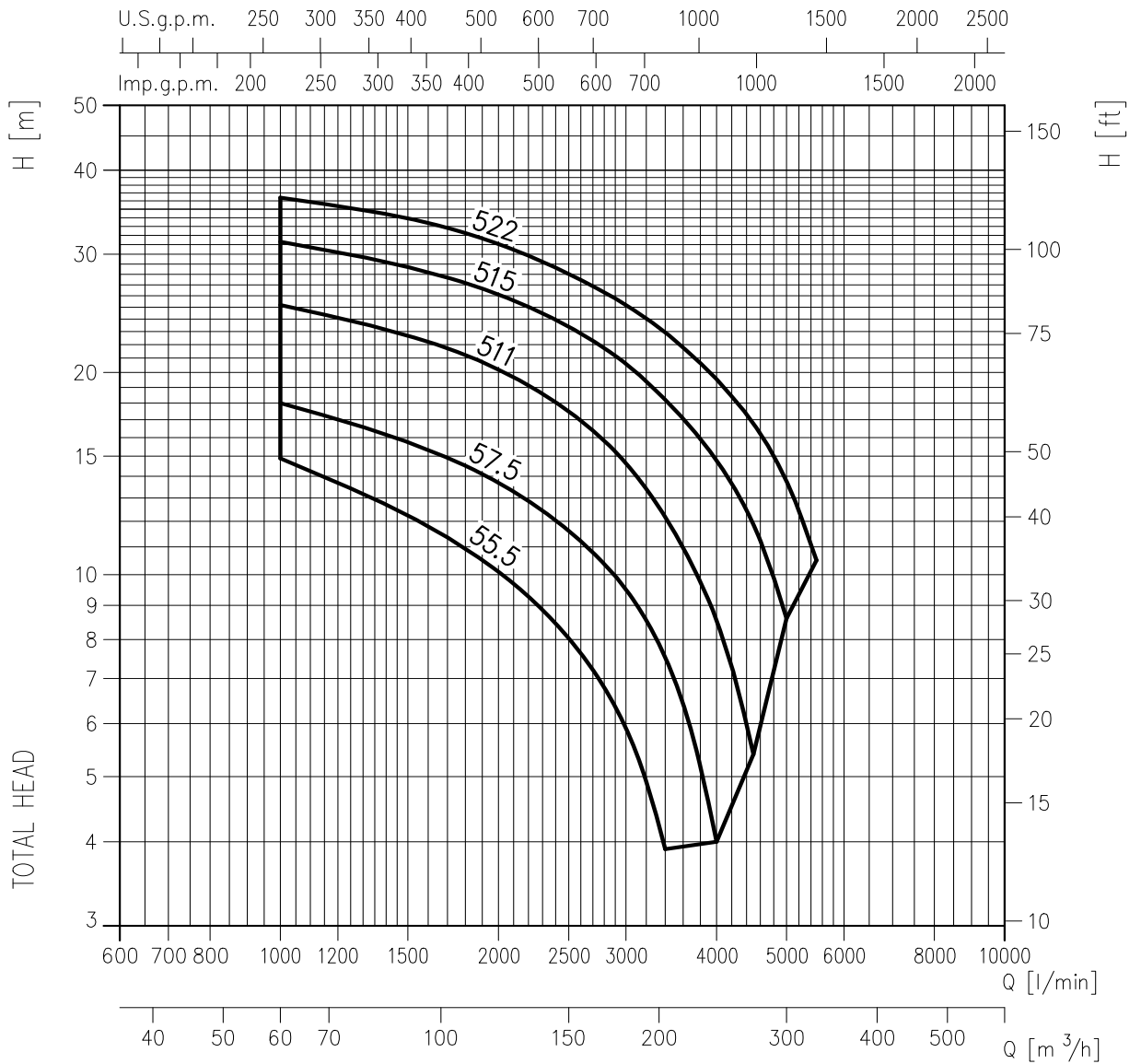
Pump Type	Power		Q= Capacity								
			[l/min]	0	200	400	600	800	1000	1200	1400
	[kW]	[HP]	[m³/h]	0	12	24	36	48	60	72	84
H=Total manometric head in meters											
80DML52.2	2,2	3	13,1	11,2	9,6	8,2	7,1	6,2	5,5	4,9	4
80DML53.7	3,7	5	17,9	15,8	14,2	12,8	11,7	10,7	9,7	8,8	7,9

100DML



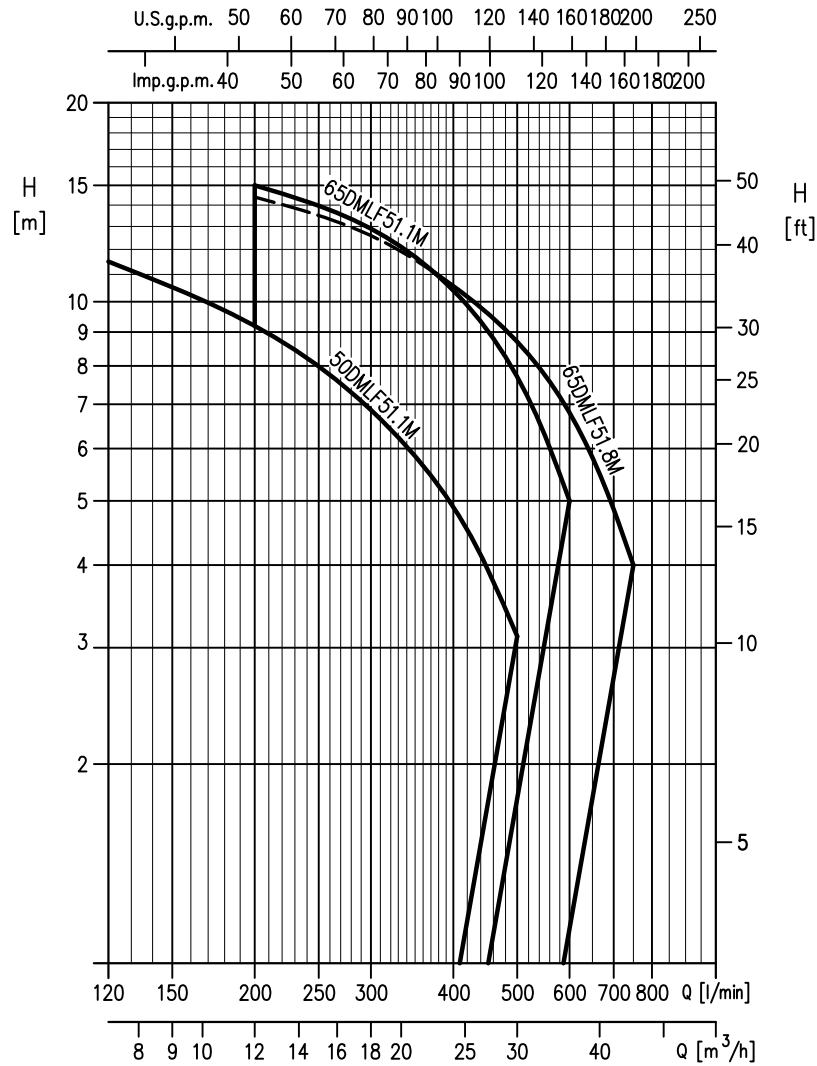
Pump Type	Power		Q= Capacity									
			[l/min]	0	500	1000	1300	1600	1900	2200	2400	2500
	[kW]	[HP]	[m³/h]	0	30	60	78	96	114	132	144	150
H=Total manometric head in meters												
100DML53.7	3,7	5	17,9	13,5	10,7	9,3	7,9	6,5	5,0	4,0	-	-
100DML55.5	5,5	7,5	22,0	17,9	14,9	13,4	11,9	10,6	9,3	8,5	-	-
100DML57.5	7,5	10	25,3	20,6	18,0	16,7	15,5	14,2	13,0	12,1	-	-
100DML511	11	15	30,3	27,5	25,2	23,7	22,2	20,7	19,1	18,0	17,5	-
100DML515	15	20	35,0	33,5	31,3	29,8	28,3	26,7	25,1	24,0	23,4	-
100DML522	22	30	40,0	38,5	36,4	34,9	33,3	31,7	30,0	28,7	28,0	-

150DML



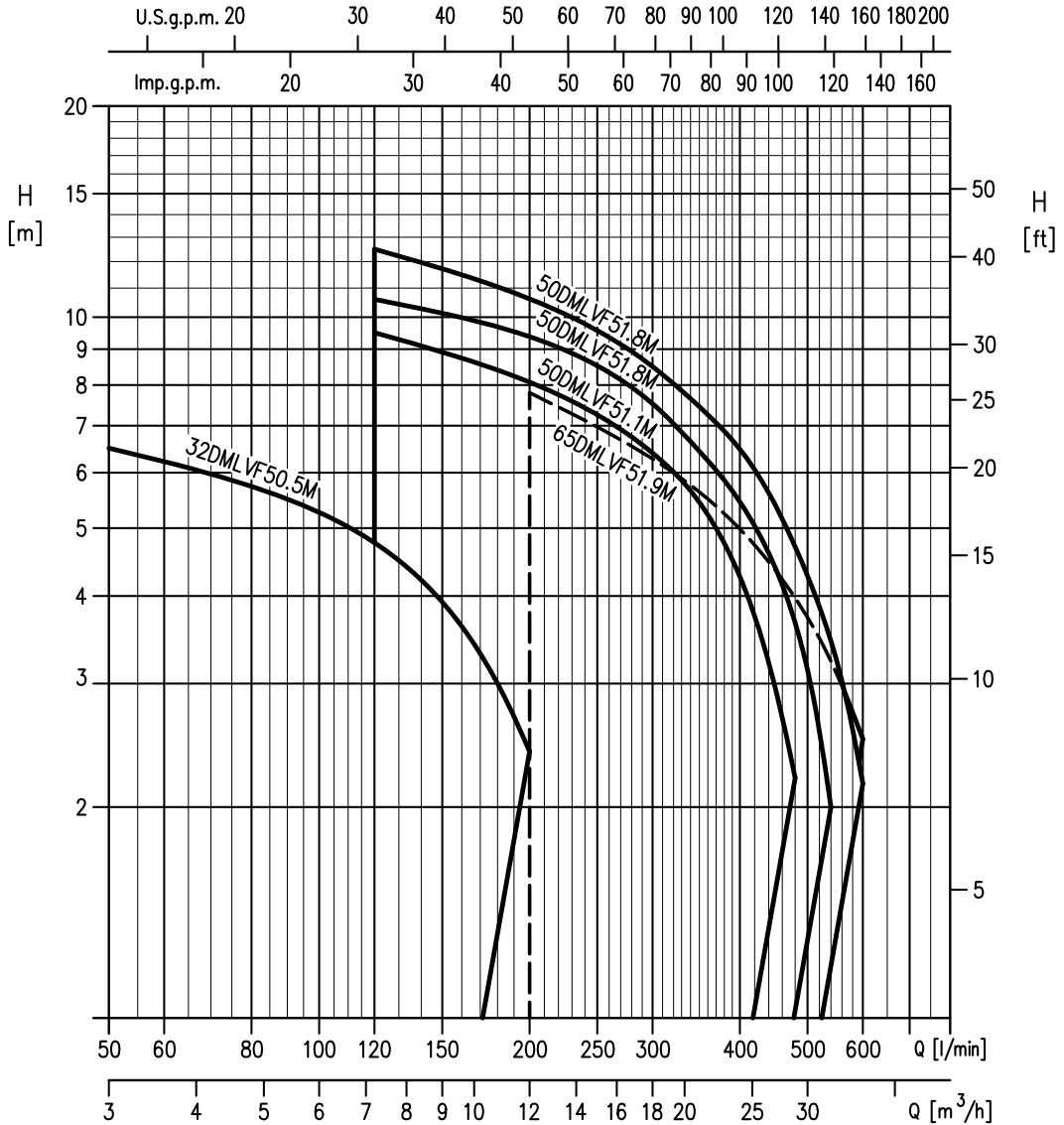
Pump Type	Power		Q= Capacity										
			[l/min]	0	1000	2000	2500	3000	3400	4000	4500	5000	5500
	[kW]	[HP]	[m³/h]	0	60	120	150	180	204	240	270	300	330
H=Total manometric head in meters													
150DML55.5	5,5	7,5	22,0	14,9	10,1	8,0	5,9	3,9	-	-	-	-	-
150DML57.5	7,5	10	25,3	18,0	13,7	11,6	9,5	7,5	4,0	-	-	-	-
150DML511	11	15	30,3	25,2	20,2	17,5	14,7	12,2	8,6	5,4	-	-	-
150DML515	15	20	35,0	31,3	26,1	23,4	20,6	18,2	14,8	11,9	8,6	-	-
150DML522	22	30	40,0	36,4	31,1	28,0	25,2	22,9	19,5	16,8	13,8	10,5	-

50-65DMLF



Pump Type	Power		Q=Capacity										
	[kW]	[HP]	l/min	0	120	200	223	300	322	400	500	600	750
			m³/h	0	7	12	13	18	19	24	30	36	45
H=Total manometric head in meters													
50DMLF51.1M	1.1	1.5	14,6	11,5	9,3	8,6	6,9	6,4	4,8	3,1	-	-	-
65DMLF51.1M	1.1	1.5	19,2	-	15	14,5	12,9	12,4	10,4	7,7	5	-	-
65DMLF51.8M	1.8	2.5	18	-	14,4	14	12,5	12,1	10,6	8,7	6,8	4	-

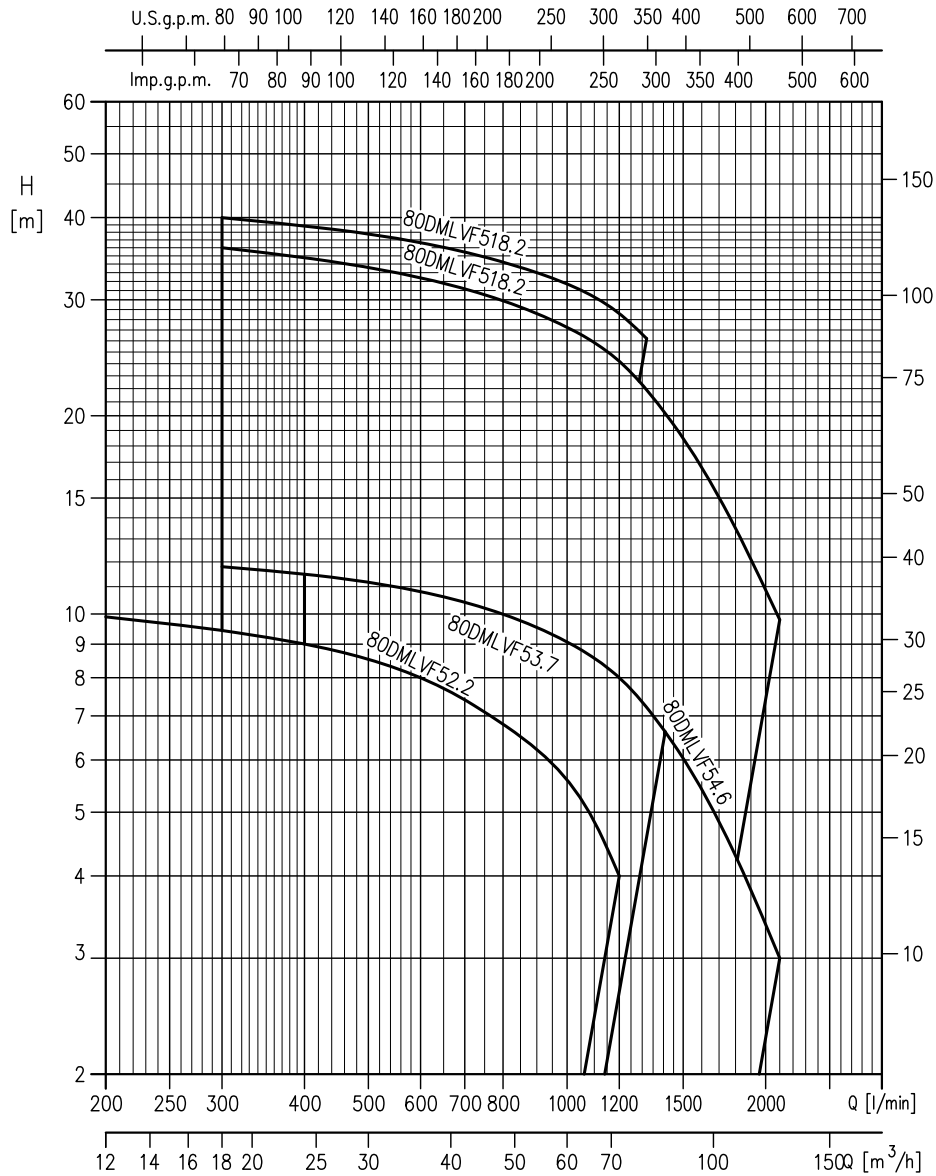
32-50-65 DMLVF



Pump Type	Power		Q=Capacity											
	[kW]	[HP]	l/min	50	90	120	180	200	300	333	400	480	540	600
			m³/h	0	5	7	11	12	18	20	24	29	32	36
32DMLVF50.5M	0.5	1.5	7,5	6,5	5,6	4,7	3	2,4	-	-	-	-	-	-
50DMLVF51.1M	1.1	0.7	11,3	-	-	9,5	8,5	8,2	6,4	5,8	4,3	2,2	-	-
50DMLVF51.8M (140)	1.8	2.5	12,5	-	-	10,6	9,7	9,3	7,5	6,8	5,5	3,7	2	-
50DMLVF51.8M (155)	1.8	2.5	15	-	-	12,5	11,3	10,9	8,5	7,8	6,5	4,7	3,5	2,2
65DMLVF51.9M	1.9	2.6	10,9	-	-	-	-	7,8	6,4	6	5,1	4,0	3,2	2,5

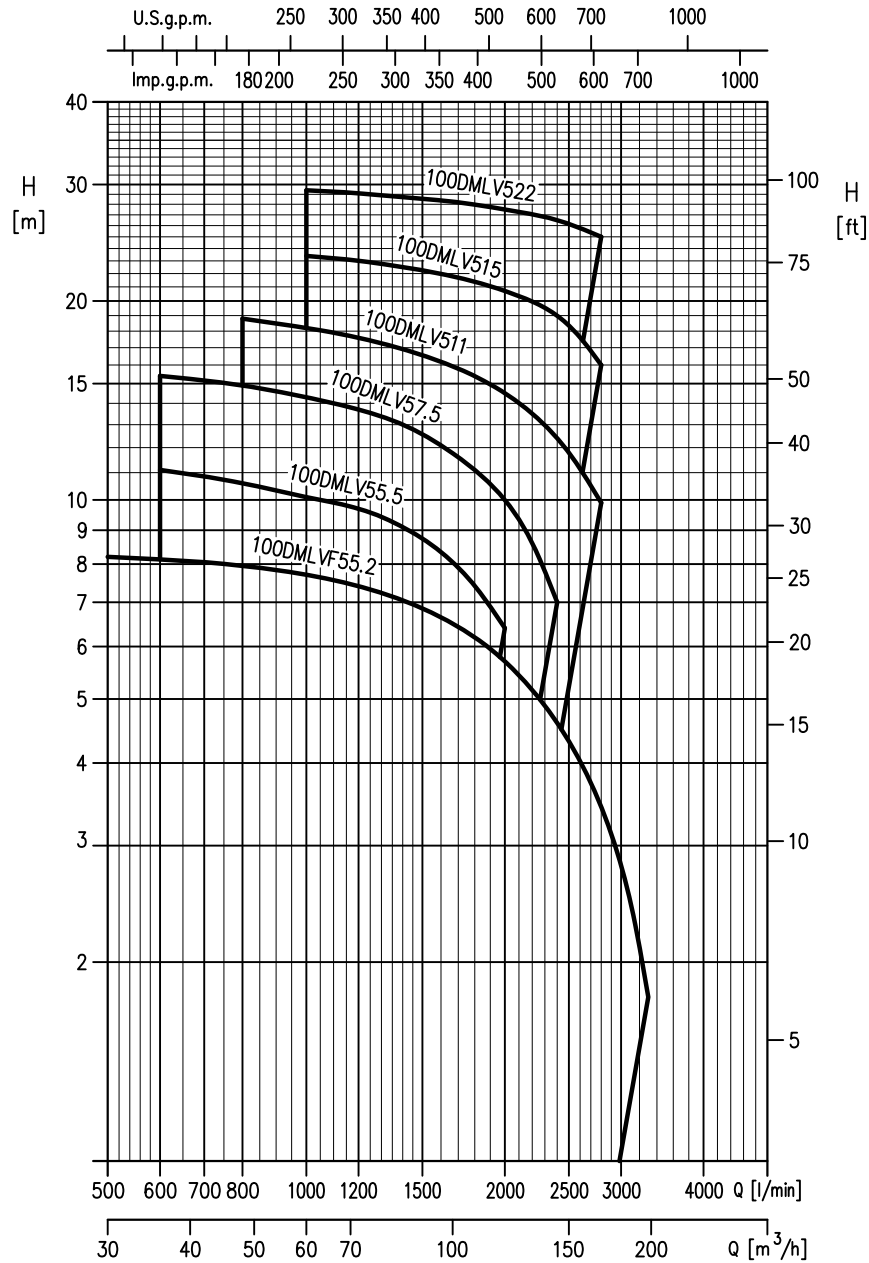
H=Total manometric head in meters

80DMLV- 80DMLVF

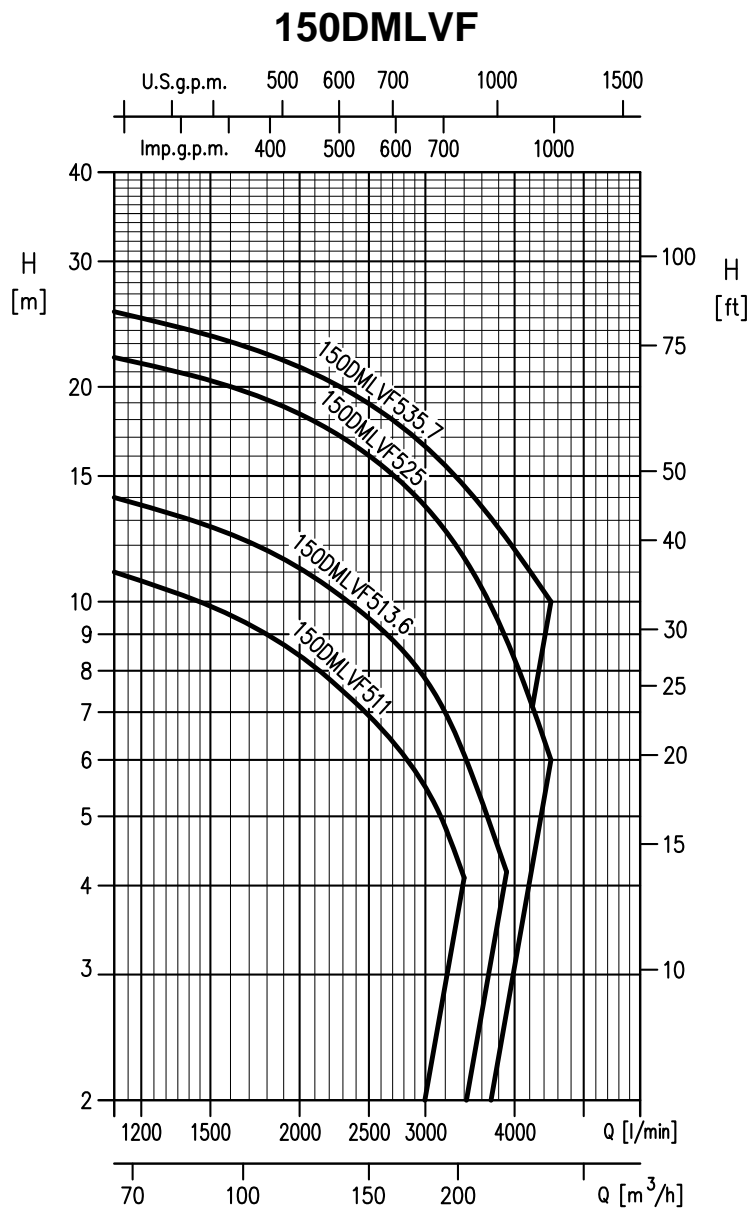


Pump Type	Power		Q=Capacity									
	[kW]	[HP]	l/min	200	300	400	600	900	1200	1320	1400	2100
			m³/h	12	18	24	36	54	72	79	84	126
H=Total manometric head in meters												
80DMLV52.2	2.2	3	10,7	9,9	9,5	9,0	8	6,4	4	-	-	-
80DMLV53.7	3.7	5	12,8	-	-	11,5	10,7	9,4	7,9	7,2	6,4	-
80DMLVF54.6	4.6	6.2	12,7	-	11,8	11,5	10,8	9,5	8	7,2	6,7	3
80DMLVF518.2 (225)	18.2	25	38	-	36	35	33	28,6	24,2	22,4	21	9,8
80DMLVF518.2 (188)	18.2	25	42,5	-	40	39	37	33	28,6	26,2	-	-

100 DMLV - 100DMLVF



Pump Type	Power		Q=Capacity										
	[kW]	[HP]	l/min	500	600	800	1000	1200	1700	2000	2400	2800	3300
			0	30	36	48	60	72	102	120	144	168	198
100DMLVF55.2	5.2	7	8,3	8,2	8,2	8	7,7	7,4	6,3	5,7	4,6	3,5	1,8
100DMLV5,5	5.5	7.5	13,2	-	11,1	10,6	10,1	9,7	7,9	6,4	-	-	-
100DMLV57,5	7.5	10	16,8	-	15,4	14,9	14,3	13,7	11,6	10	7	-	-
100DMLV511	11	15	20,6	-	-	18,8	18,2	17,6	15,8	14,5	12,4	9,9	-
100DMLV515	15	20	24,9	-	-	-	23,4	23	21,7	20,7	19	16	-
100DMLV522	22	30	32,1	-	-	-	29,4	29,1	28,2	27,5	26,5	25	-



Pump Type	Power		Q=Capacity							
	[kW]	[HP]	l/min	1100	1800	2400	3000	3400	3900	4500
			m³/h	66	108	144	180	204	234	270
150DMLVF511	11	15	13,50	11,00	9,00	7,20	5,50	4,10	-	-
150DMLVF513.6	13.6	18.5	16,50	14,00	11,80	9,80	7,80	6,10	4,18	-
150DMLVF525	25	34	26,00	22,00	19,20	16,50	13,60	11,69	9,19	6,00
150DMLVF535.7	35.7	48.5	30,50	25,50	22,24	19,43	16,72	14,84	12,63	10,00

H=Total manometric head in meters

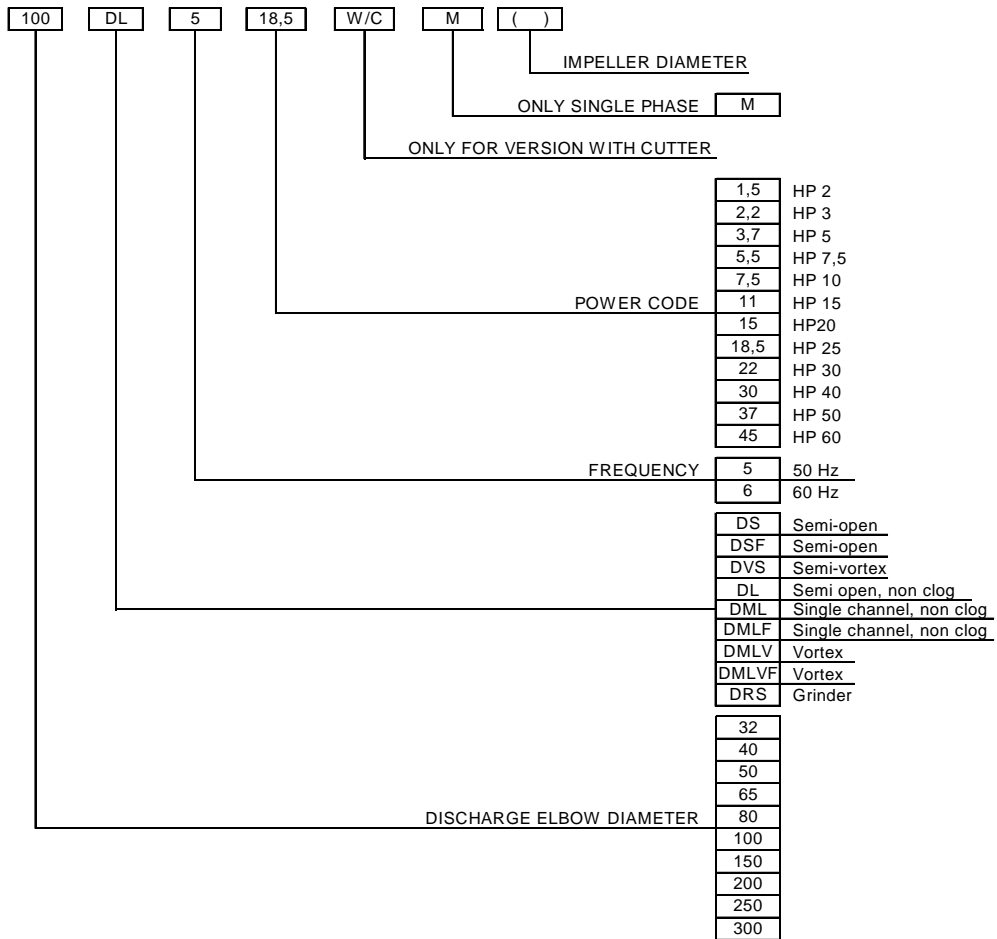
SUBMERSIBLE PUMPS TYPE KEY AND CURVE SPECIFICATION

D SERIES

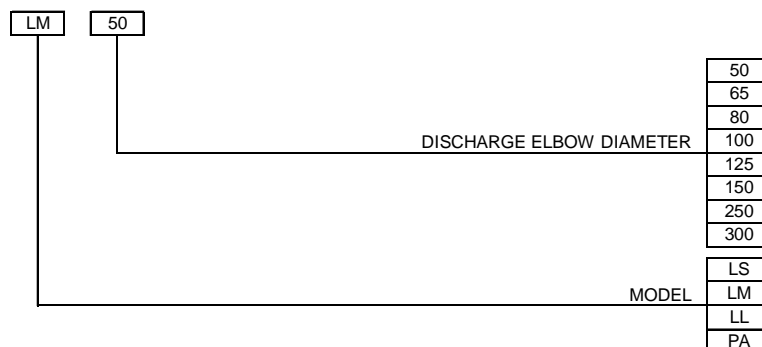
50 Hz

TYPE KEY

PUMP



QDC (QUICK DISCHARGE CONNECTOR)



PERFORMANCE CURVE SPECIFICATIONS

The specifications below qualify the curves shown on the following pages.

Tolerances according to ISO 9906 Annex A

The curves refer to effective speed of asynchronous motors at 50 Hz

Measurements were carried out with clean water at 20°C of temperature and with a kinematic viscosity of $\nu = 1 \text{ mm}^2/\text{s}$ (1 cSt)

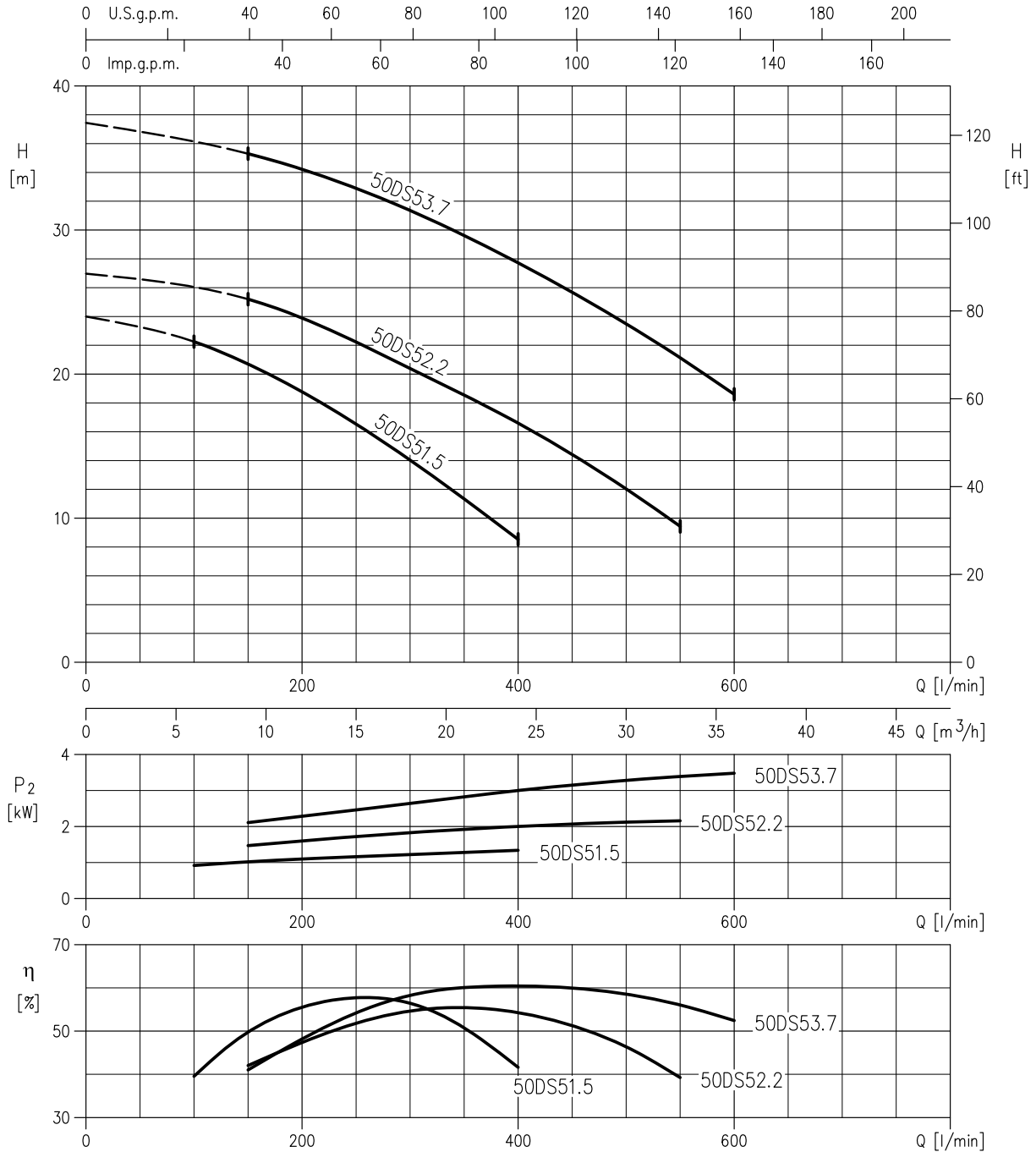
The continuous curves indicate the recommended working range. The dotted curve is only a guide.

In order to avoid the risk of over-heating, the pumps should not be used at a flow rate below 10% of best efficiency point.

Symbols explanation:

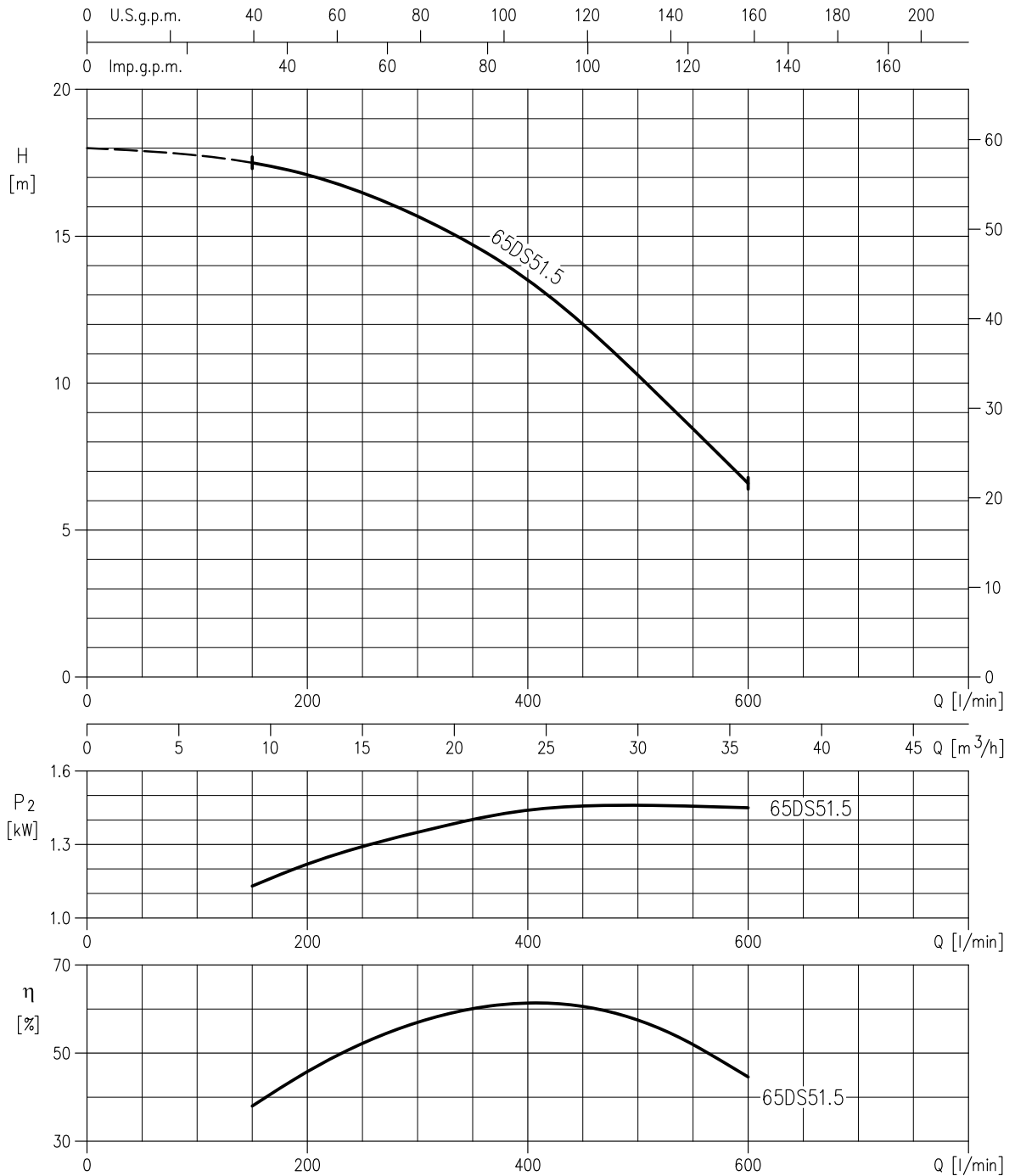
- Q = volume flow rate
- H = total head
- P_2 = pump power input (shaft power)
- η = pump efficiency

50DS51.5 (1.5 kW)
 50DS52.2 (2.2 kW)
 50DS53.7 (3.7 kW)



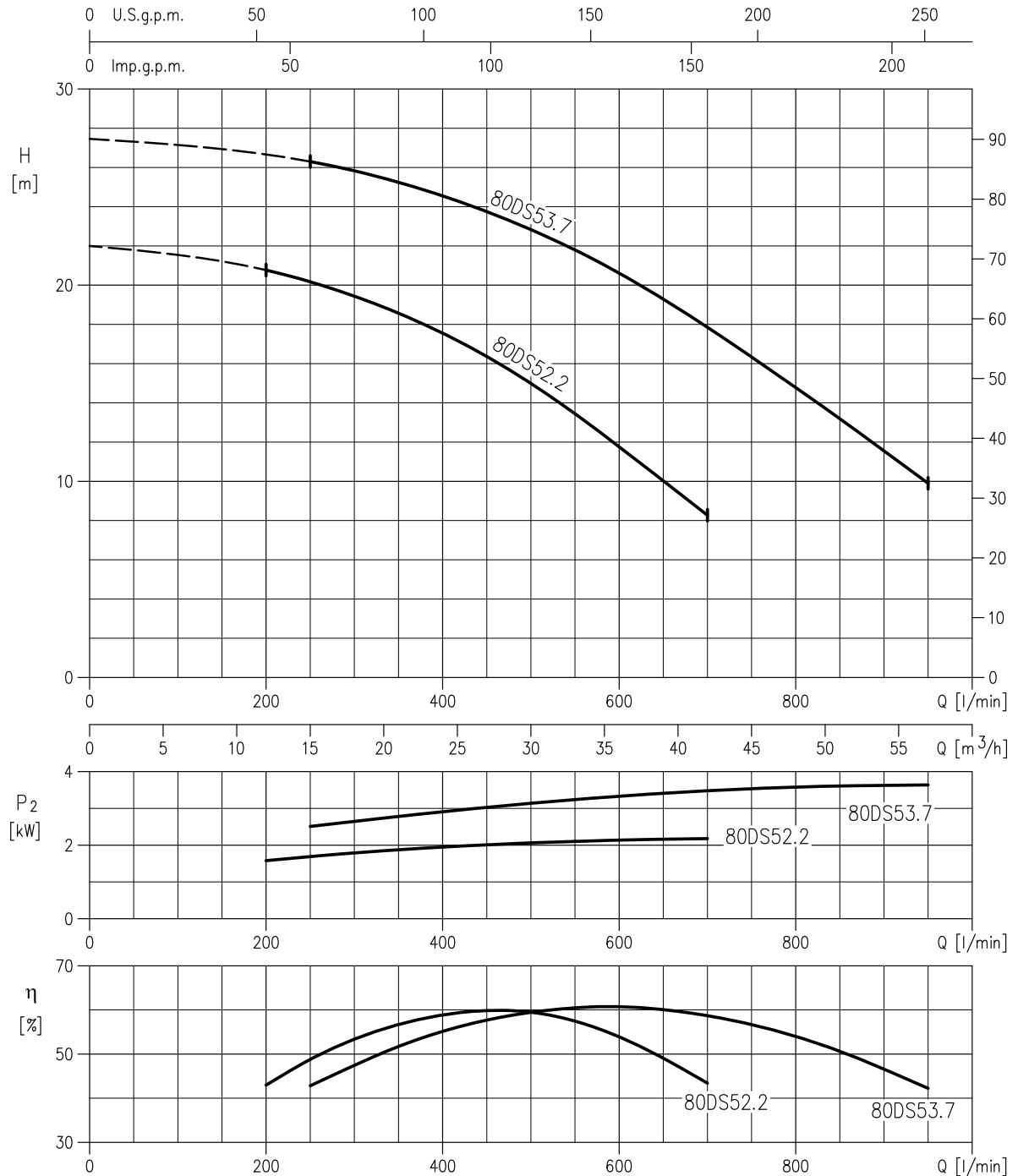
Rotation speed $\approx 2850 \text{ min}^{-1}$
 Test standard: ISO 9906 – Annex A

65DS51.5 (1.5 kW)



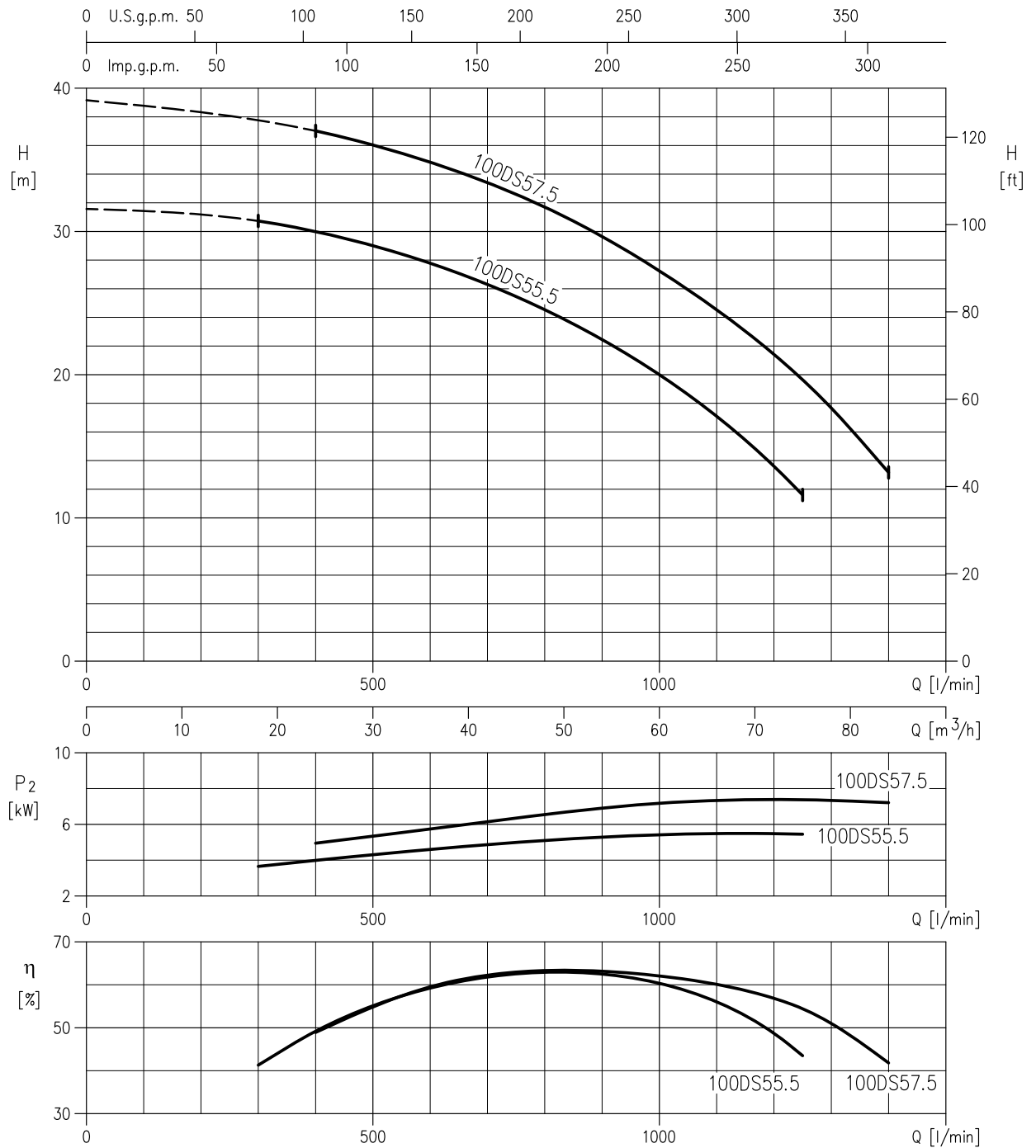
Rotation speed $\approx 2850 \text{ min}^{-1}$
 Test standard: ISO 9906 – Annex A

80DS52.2 (2.2 kW)
80DS53.7 (3.7 kW)



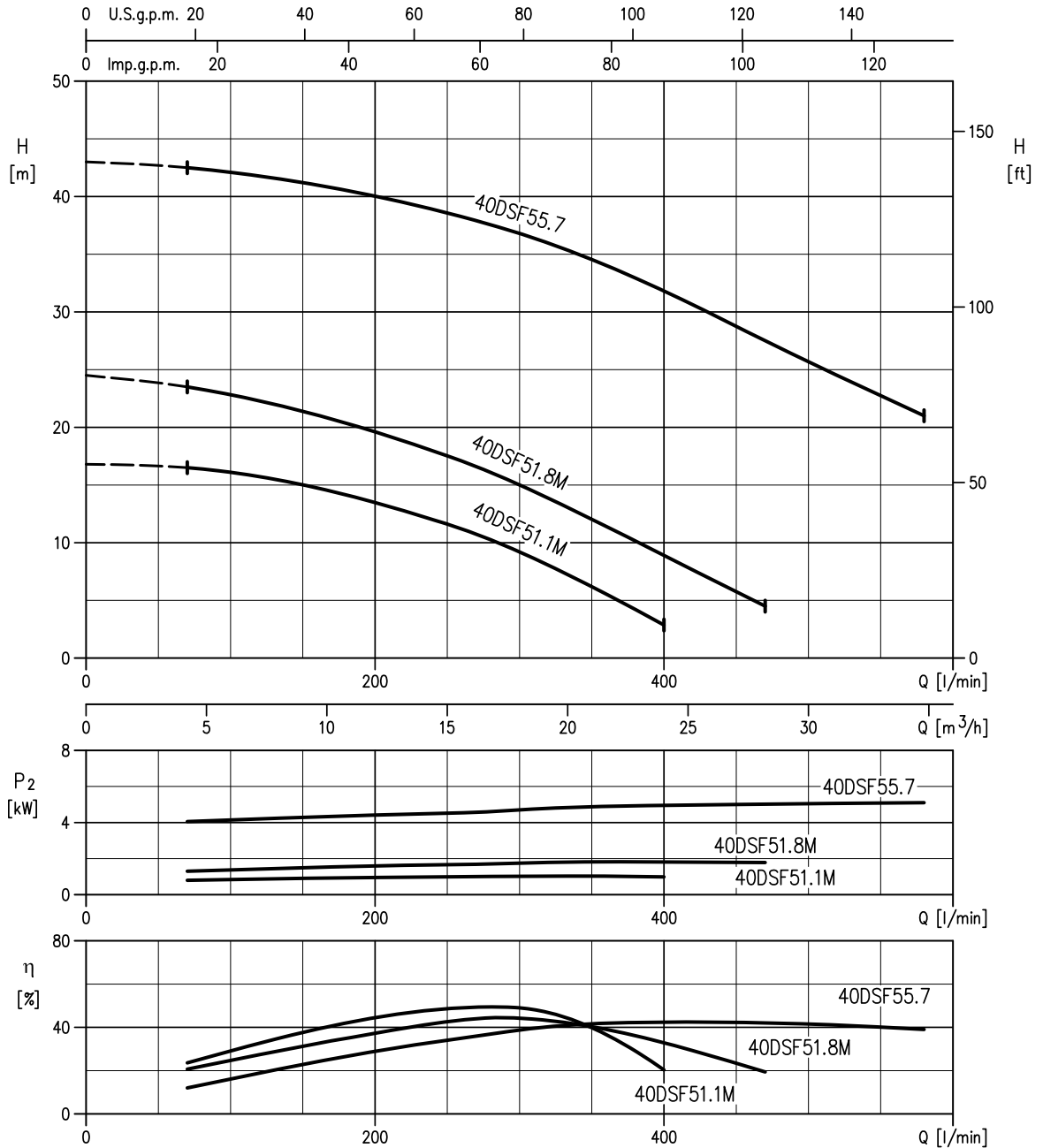
Rotation speed ≈ 2850 min⁻¹
 Test standard: ISO 9906 – Annex A

100DS55.5 (5.5 kW)
100DS57.5 (7.5 kW)



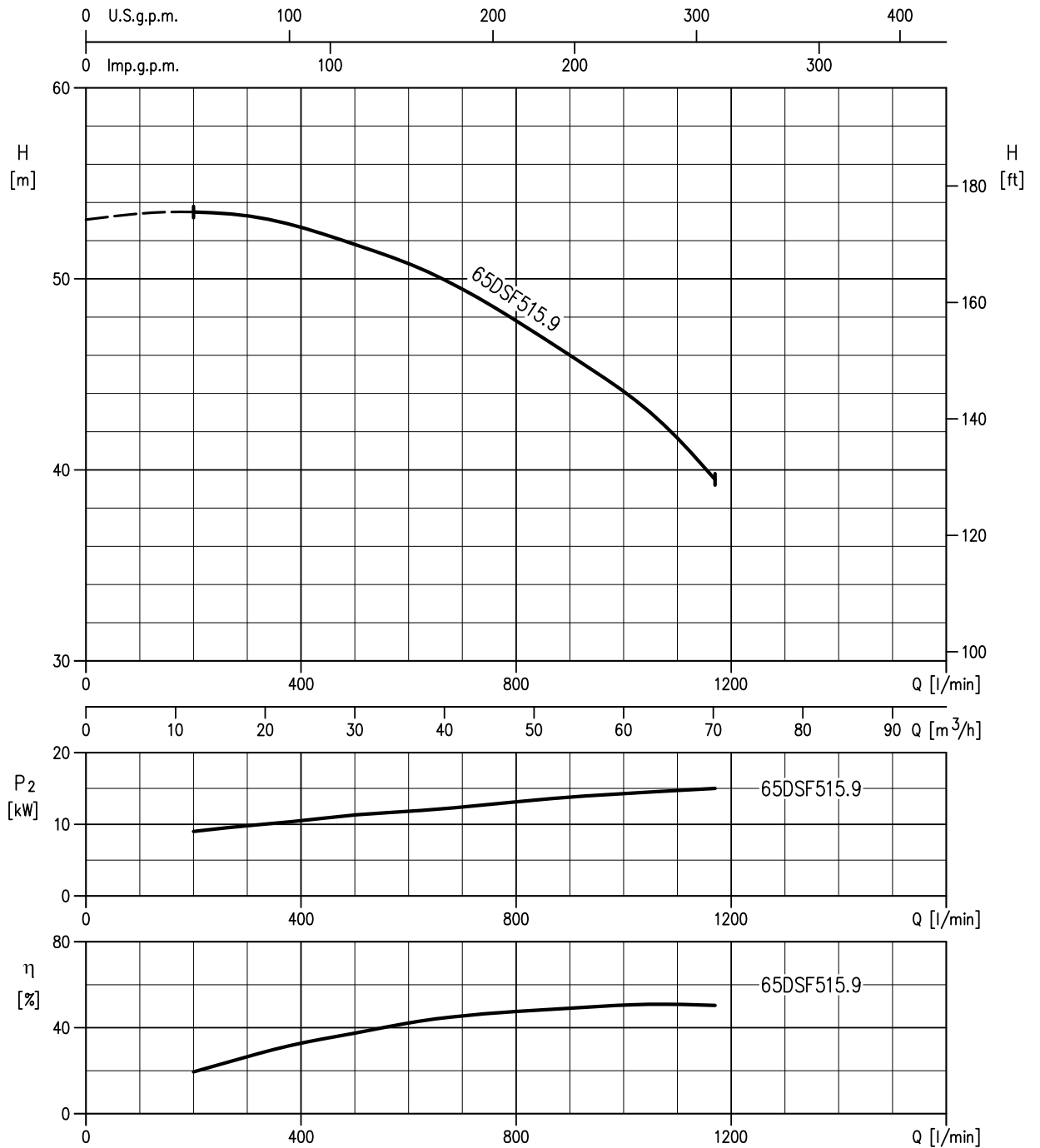
Rotation speed $\approx 2850 \text{ min}^{-1}$
 Test standard: ISO 9906 – Annex A

40DSF51.1M (1.1 kW)
 40DSF51.8M (1.8 kW)
 40DSF55.7 (5.7kW)



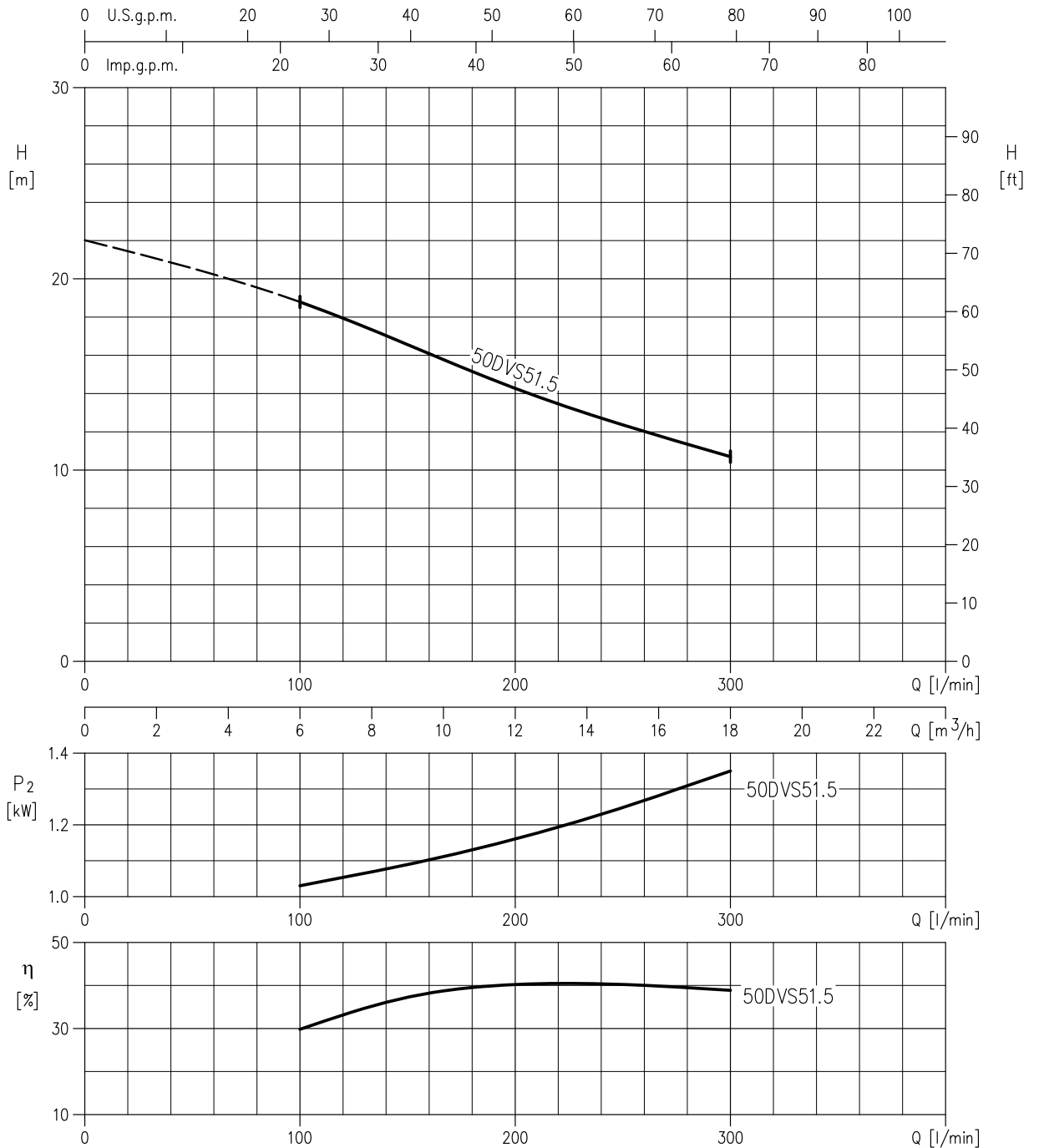
Rotation speed $\approx 2850 \text{ min}^{-1}$
 Test standard: ISO 9906 – Annex A

65DSF515.9M (15.9 kW)



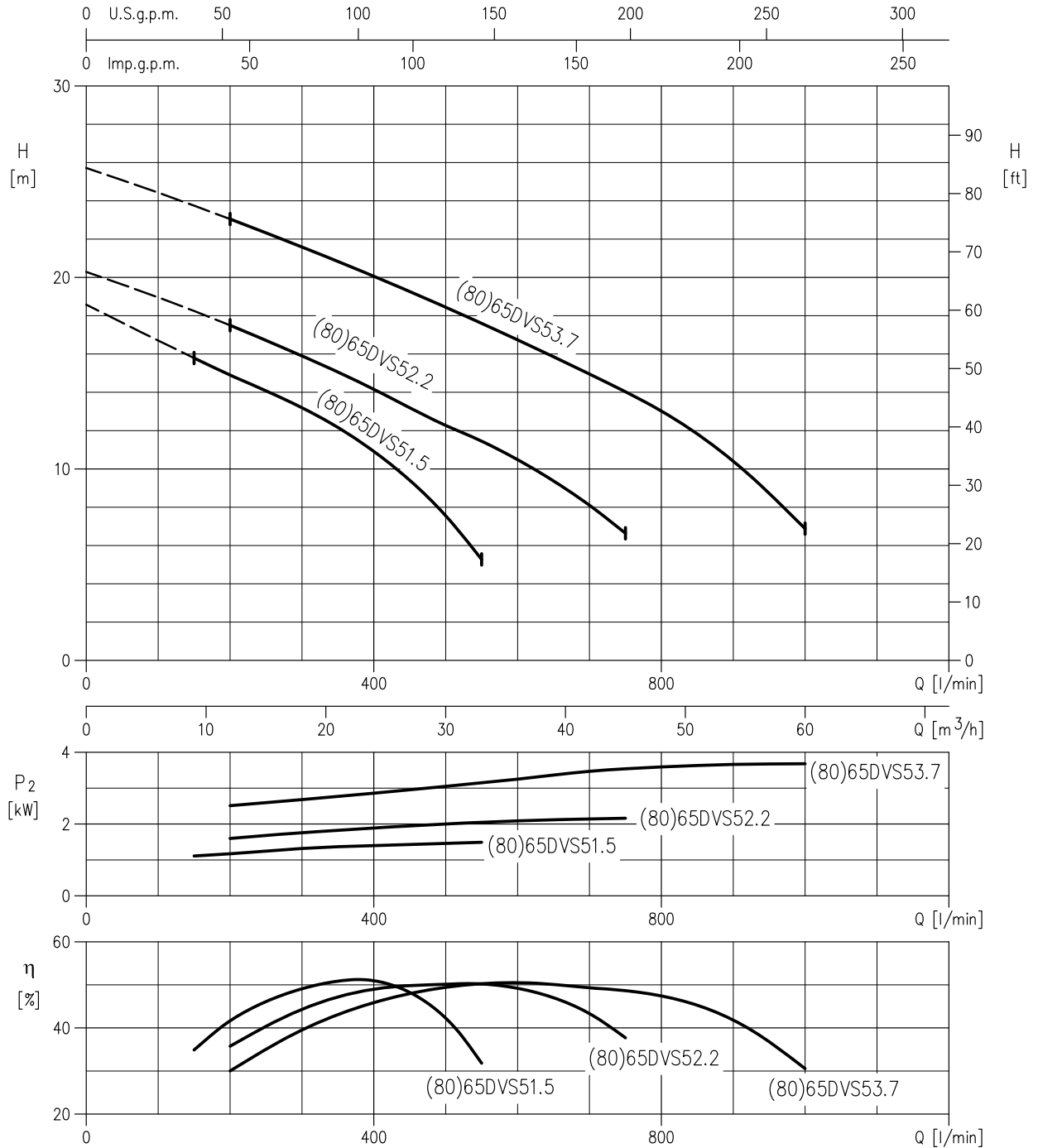
Rotation speed $\approx 2920 \text{ min}^{-1}$
 Test standard: ISO 9906 – Annex A

50DVS51.5 (1.5 kW)



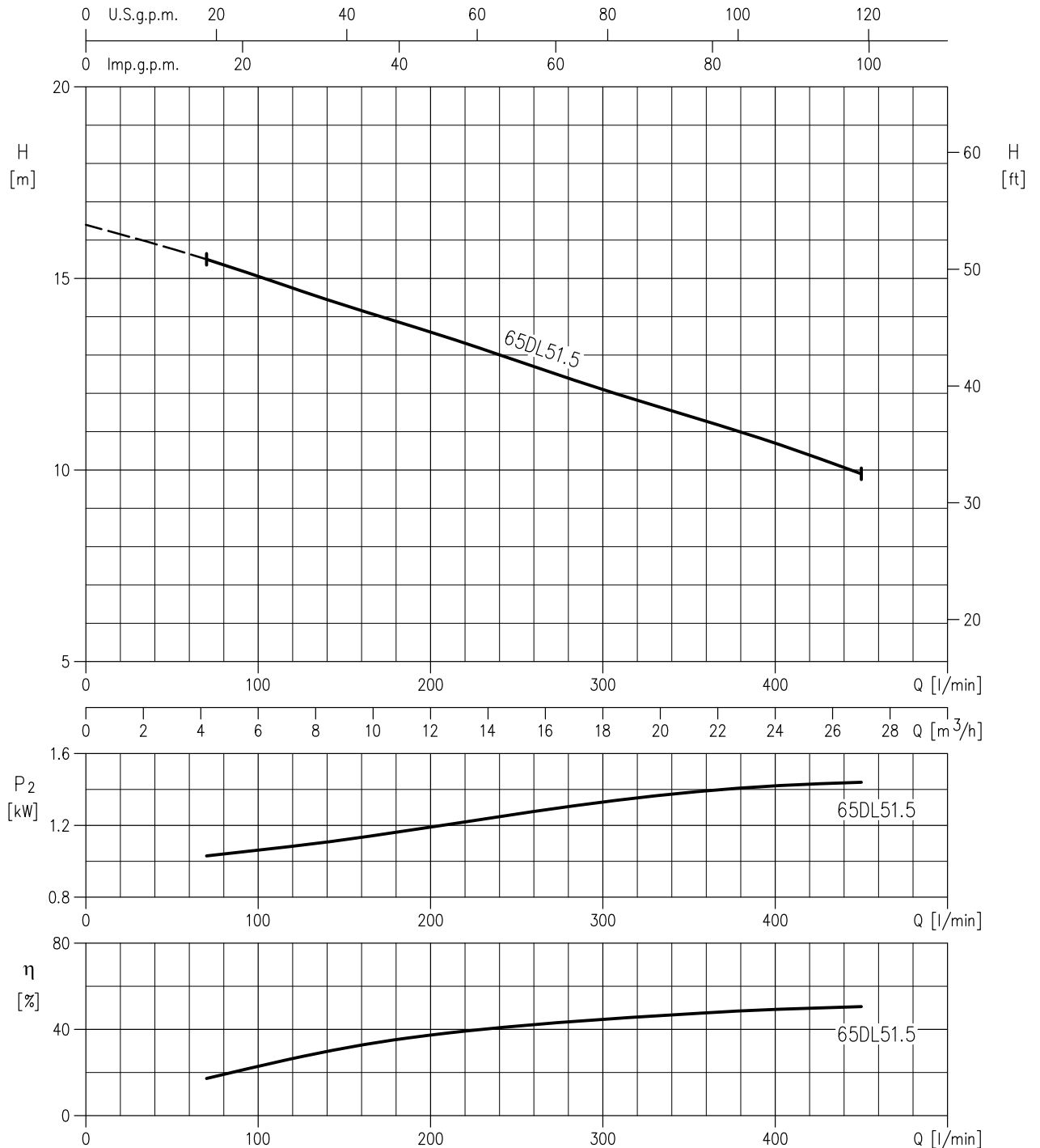
Rotation speed $\approx 2850 \text{ min}^{-1}$
 Test standard: ISO 9906 – Annex A

(80)65DVS51.5 (1.5 kW)
 (80)65DVS52.2 (2.2 kW)
 (80)65DVS53.7 (3.7 kW)



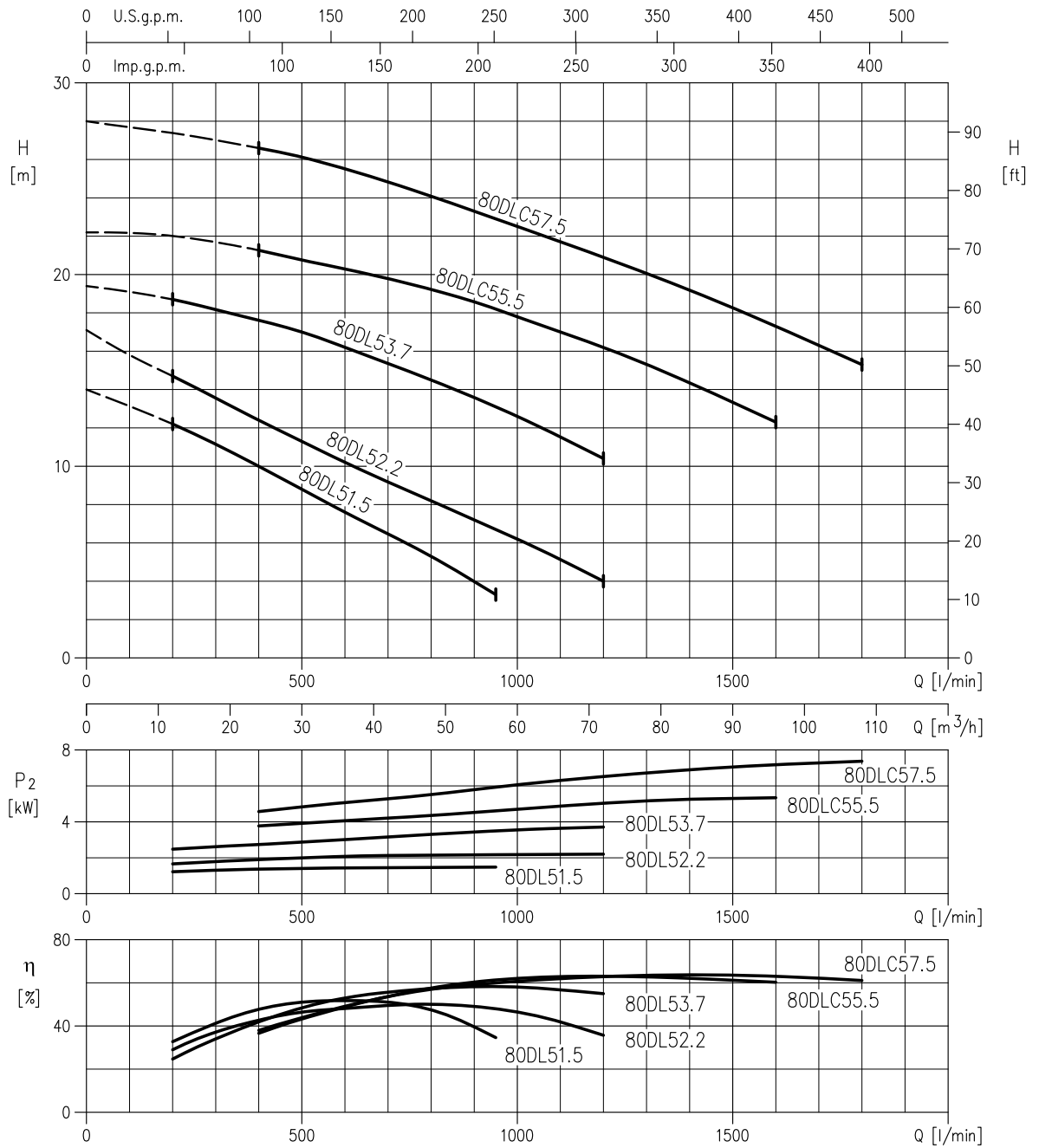
Rotation speed ≈ 2850 min⁻¹
 Test standard: ISO 9906 – Annex A

65DL51.5 (1.5 kW)



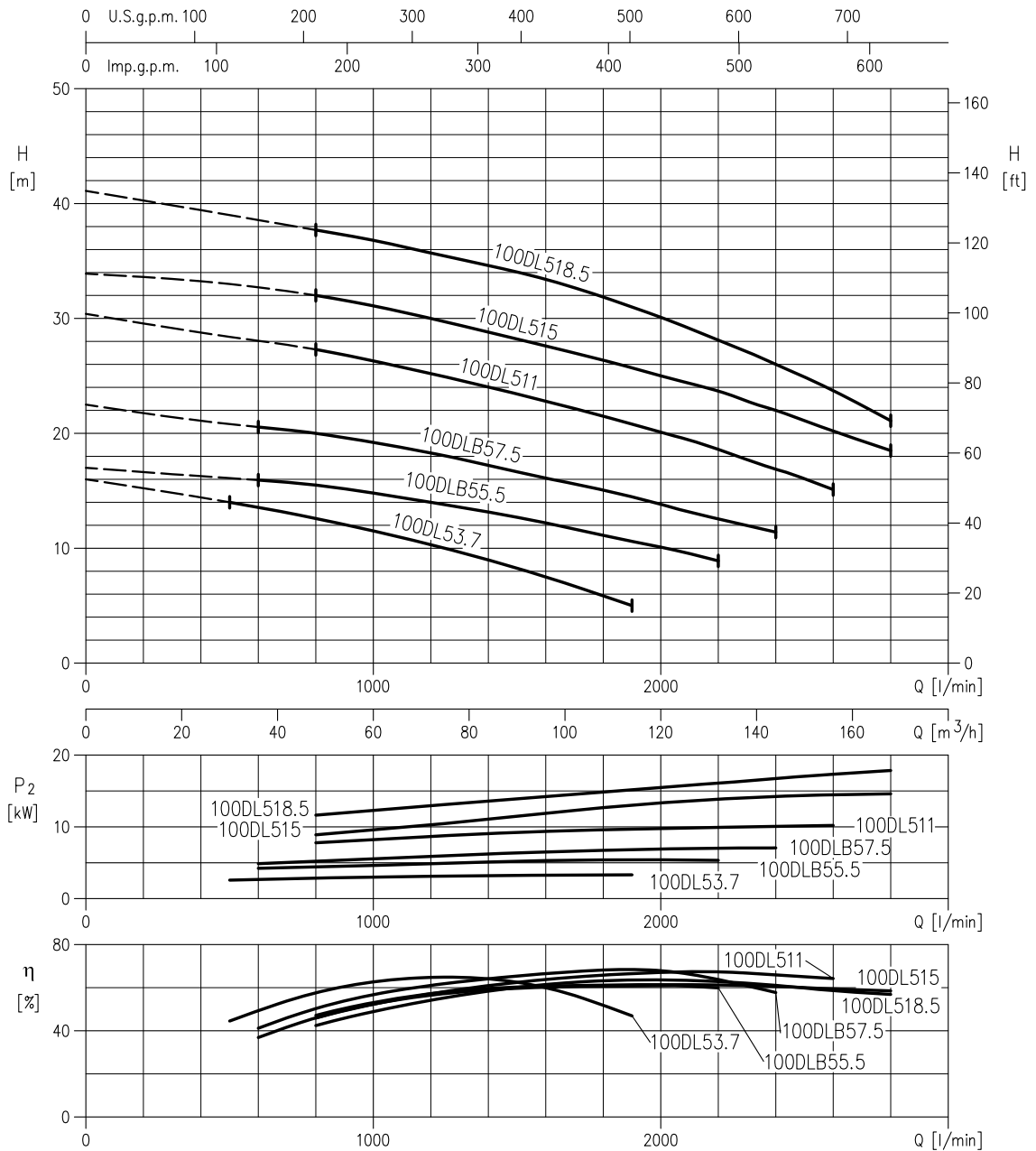
Rotation speed $\approx 1450 \text{ min}^{-1}$
 Test standard: ISO 9906 – Annex A

80DL51.5 (1.5 kW)
 80DL52.2 (2.2 kW)
 80DL53.7 (3.7 kW)
 80DLC55.5 (5.5 kW)
 80DLC57.5 (7.5 kW)



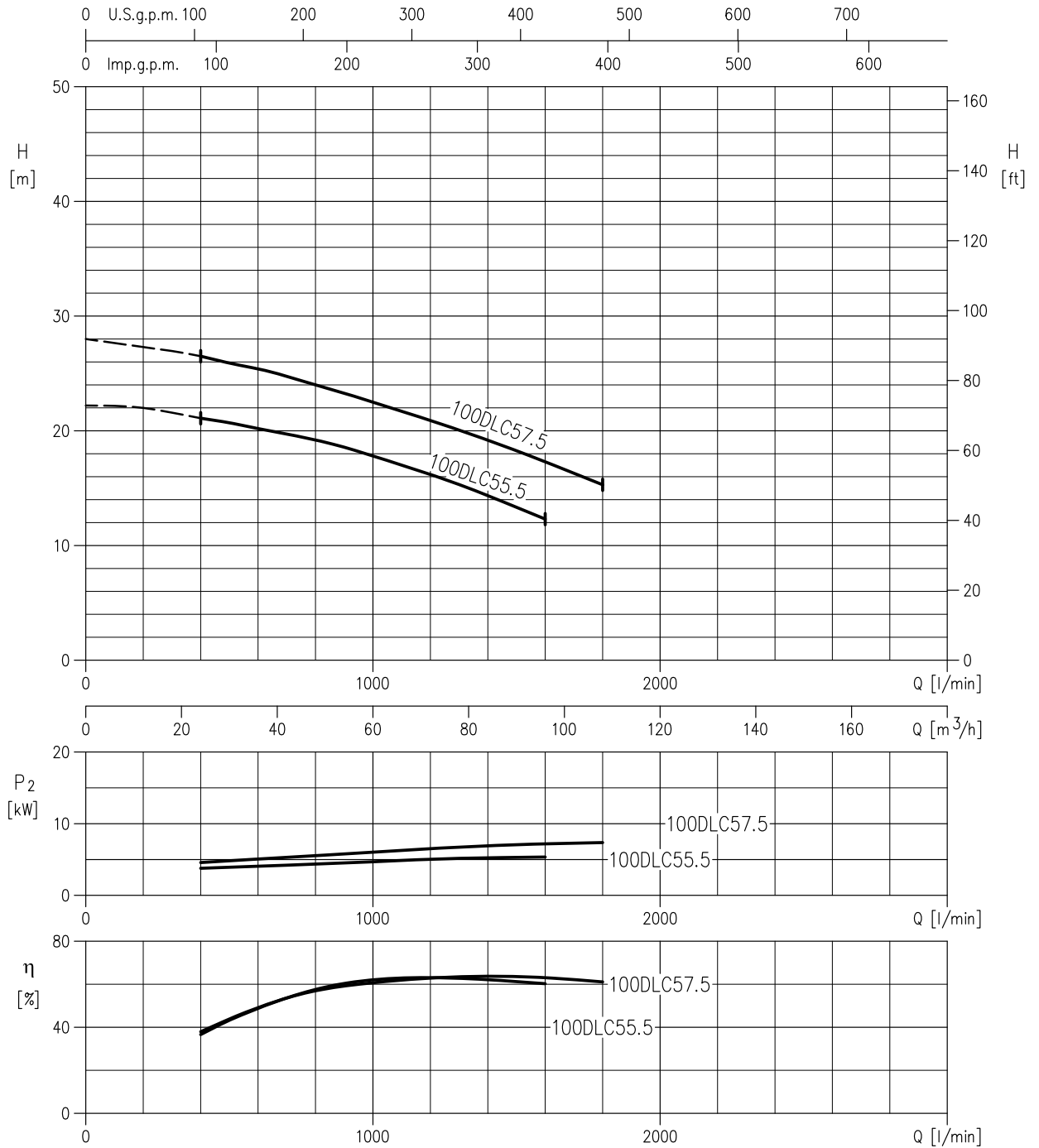
Rotation speed $\approx 1450 \text{ min}^{-1}$
 Test standard: ISO 9906 – Annex A

100DL53.7 (3.7 kW)
100DLB55.5 (5.5 kW)
100DLB57.5 (7.5 kW)
100DL511 (11 kW)
100DL515 (15 kW)
100DL518.5 (18.5 kW)



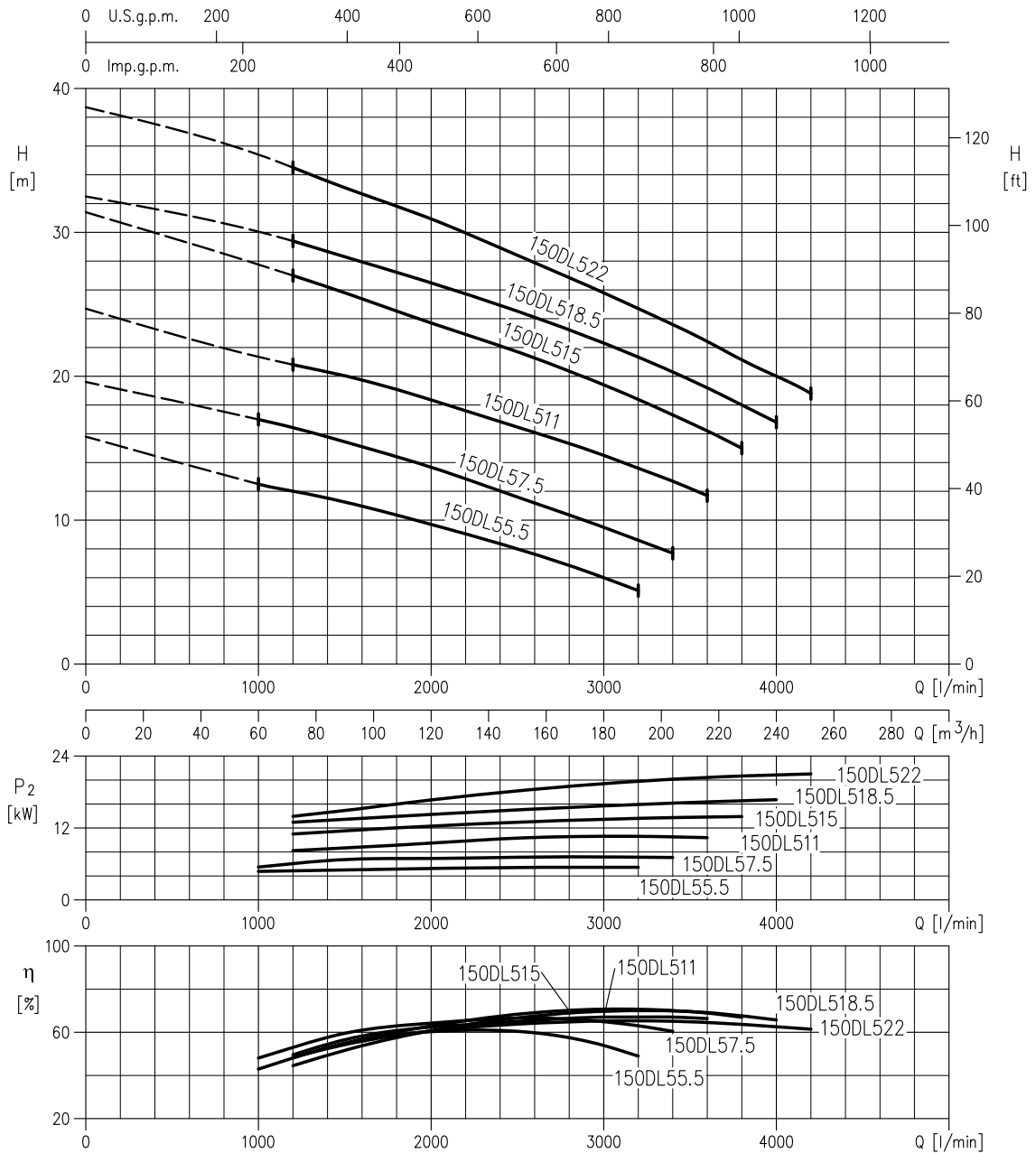
Rotation speed $\approx 1450 \text{ min}^{-1}$
 Test standard: ISO 9906 – Annex A

100DLC55.5 (5.5 kW)
100DLC57.5 (7.5 kW)



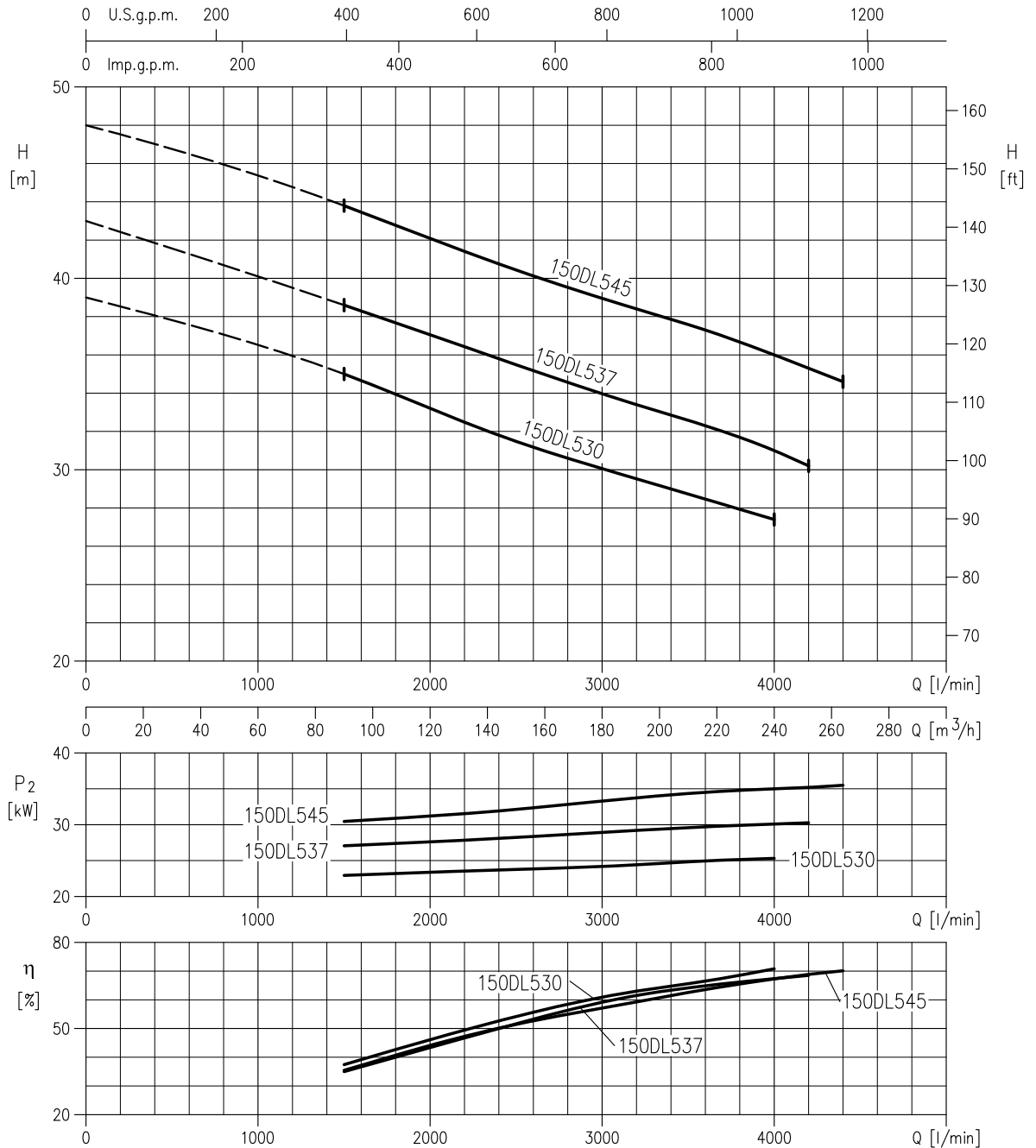
Rotation speed ≈ 1450 min⁻¹
 Test standard: ISO 9906 – Annex A

150DL55.5 (5.5 kW)
150DL57.5 (7.5 kW)
150DL511 (11 kW)
150DL515 (15 kW)
150DL518.5 (18.5 kW)
150DL522 (22 kW)



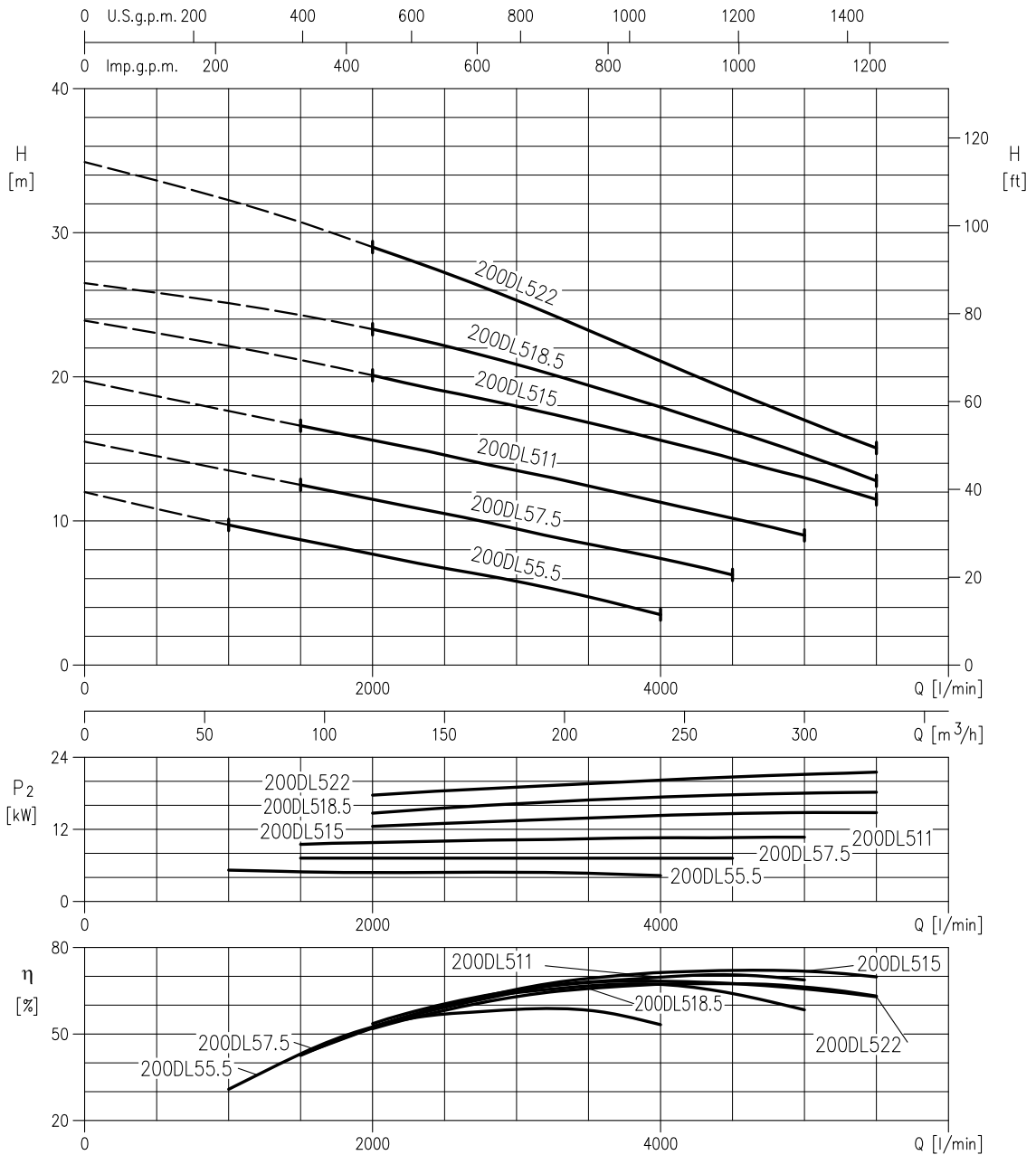
Rotation speed $\approx 1450 \text{ min}^{-1}$
 Test standard: ISO 9906 – Annex A

150DL530 (30 kW)
150DL537 (37 kW)
150DL545 (45 kW)



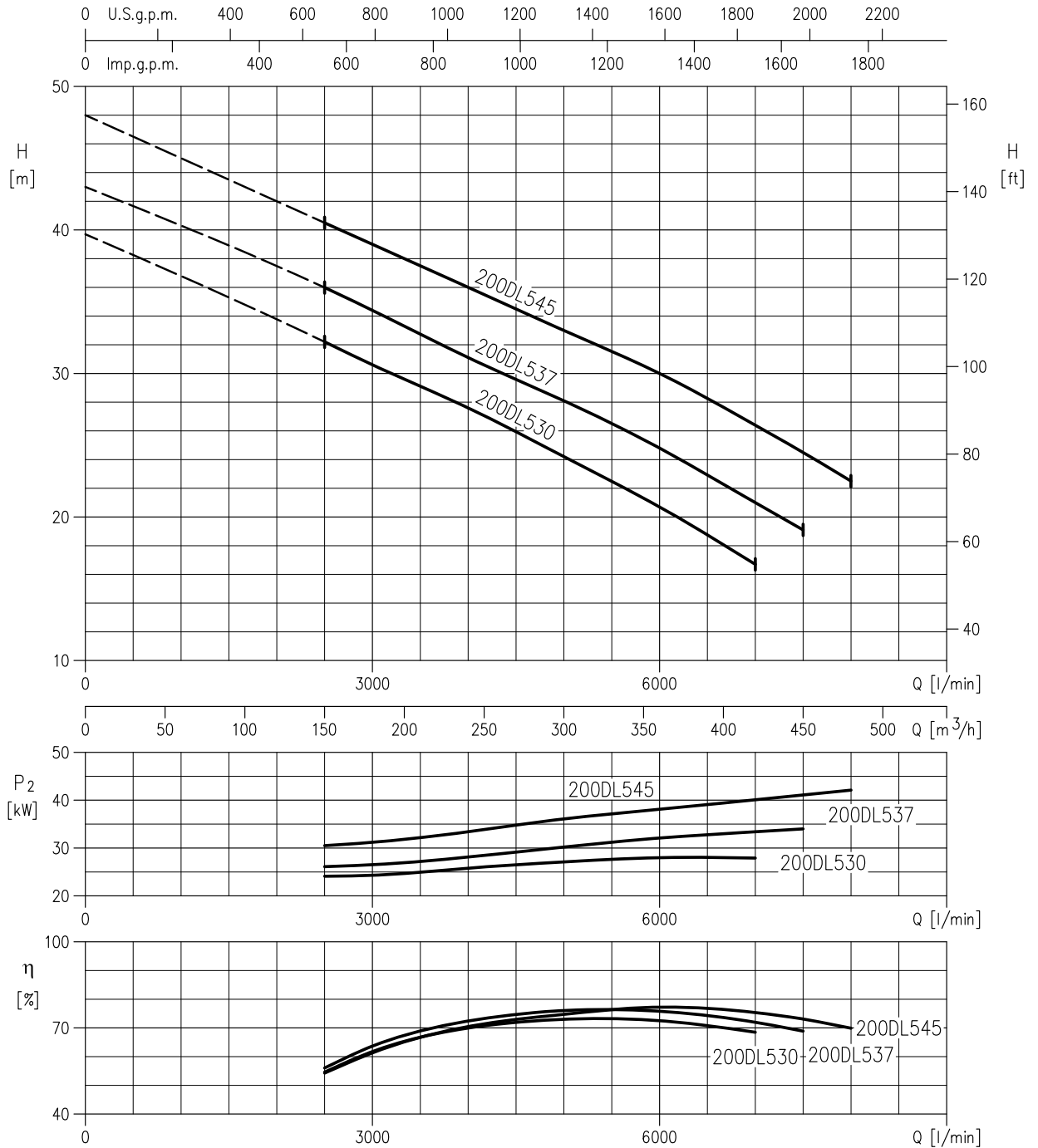
Rotation speed $\approx 1450 \text{ min}^{-1}$
 Test standard: ISO 9906 – Annex A

200DL55.5 (5.5 kW)
200DL57.5 (7.5 kW)
200DL511 (11 kW)
200DL515 (15 kW)
200DL518.5 (18.5 kW)
200DL522 (22 kW)



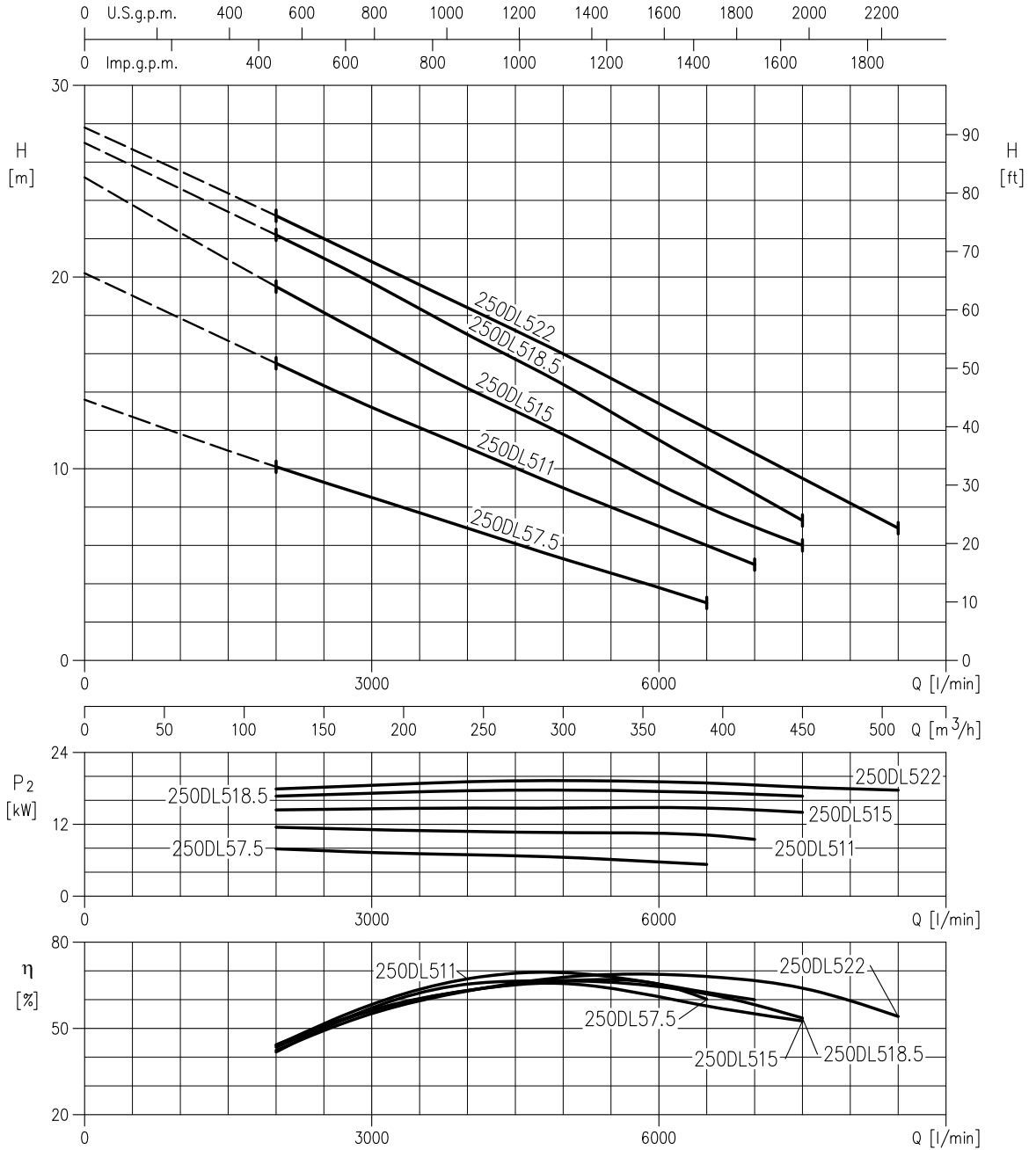
Rotation speed $\approx 1450 \text{ min}^{-1}$
 Test standard: ISO 9906 – Annex A

200DL530 (30 kW)
200DL537 (37 kW)
200DL545 (45 kW)



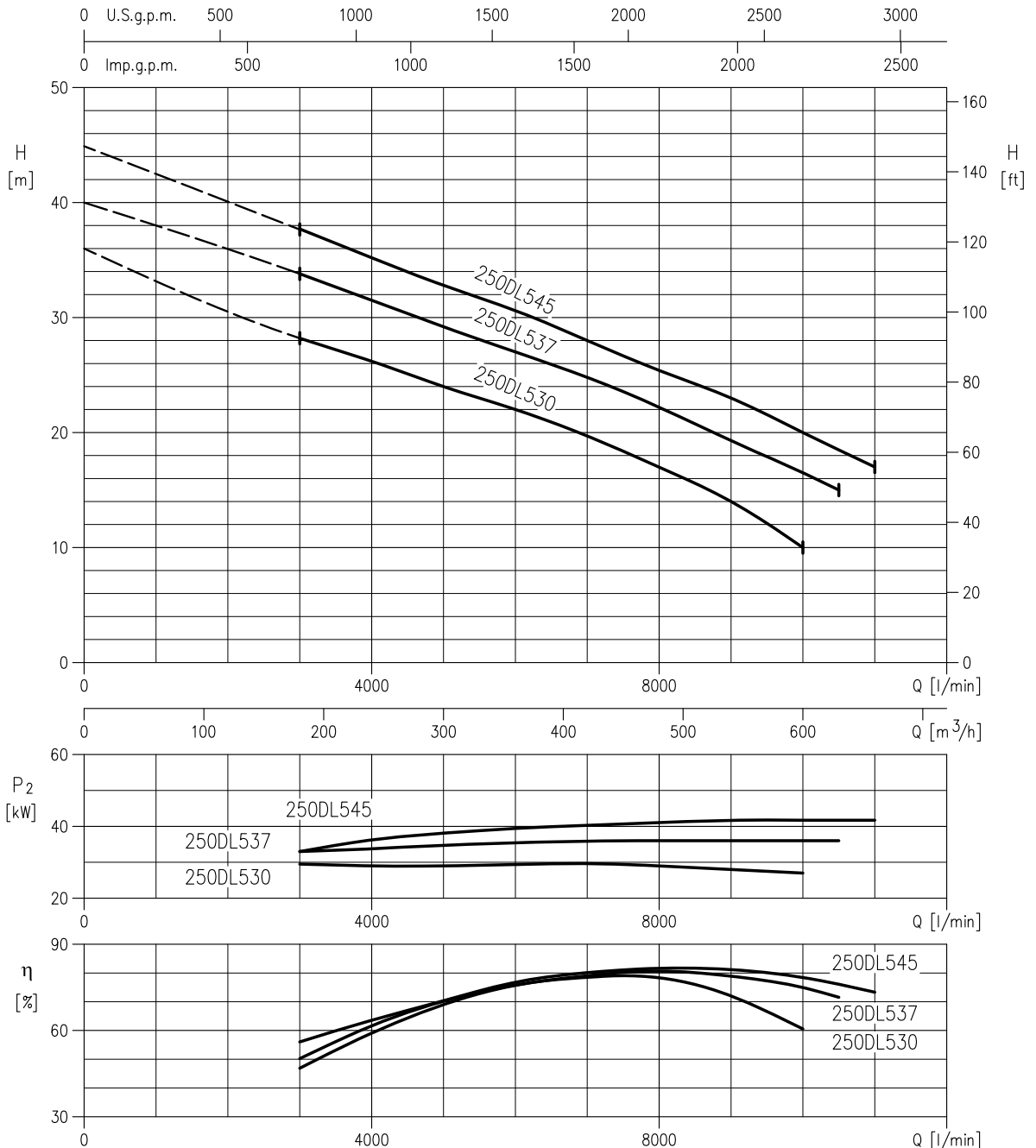
Rotation speed $\approx 1450 \text{ min}^{-1}$
 Test standard: ISO 9906 – Annex A

250DL57.5 (7.5 kW)
250DL511 (11 kW)
250DL515 (15 kW)
250DL518.5 (18.5 kW)
250DL522 (22 kW)



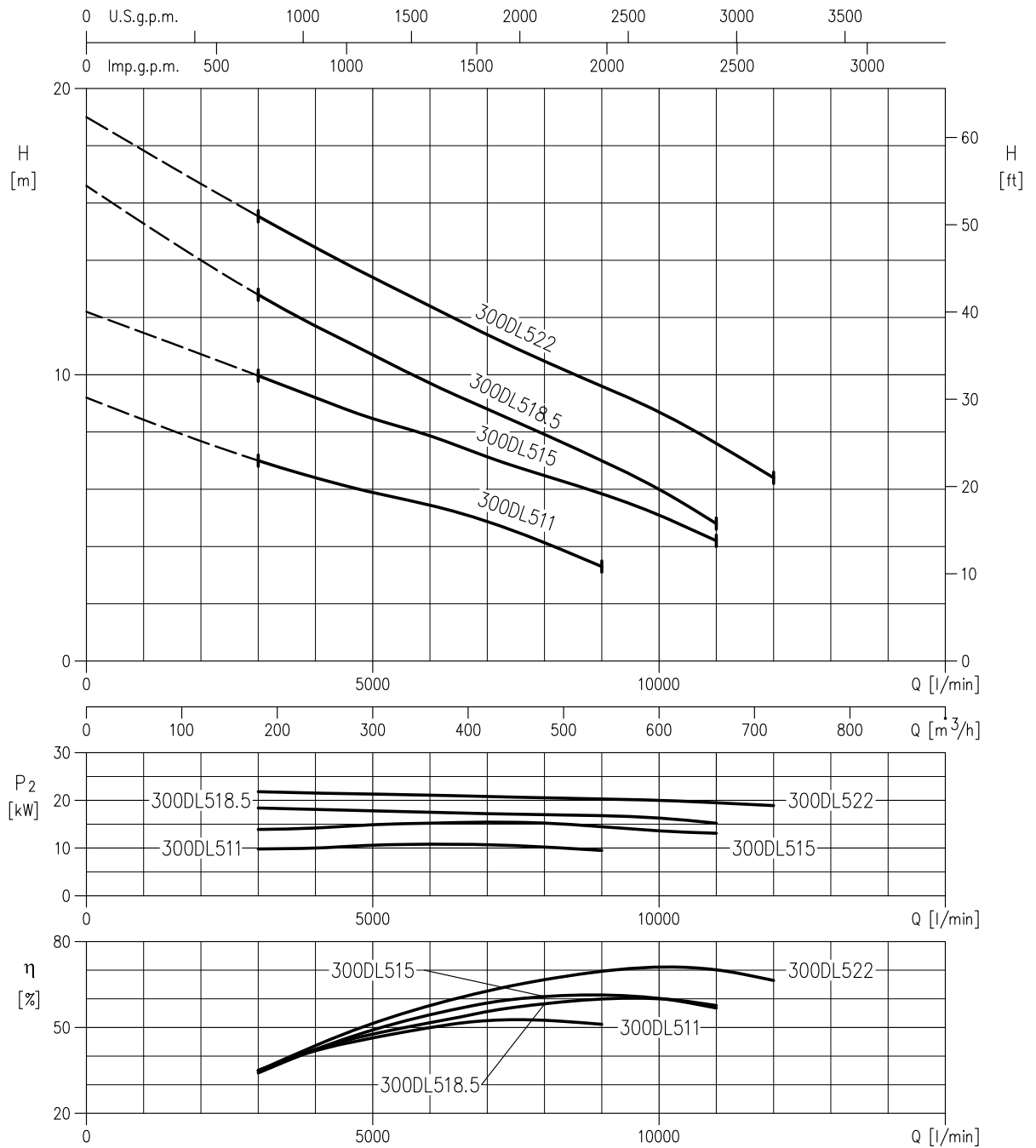
Rotation speed $\approx 1450 \text{ min}^{-1}$
 Test standard: ISO 9906 – Annex A

250DL530 (30 kW)
250DL537 (37 kW)
250DL545 (45 kW)



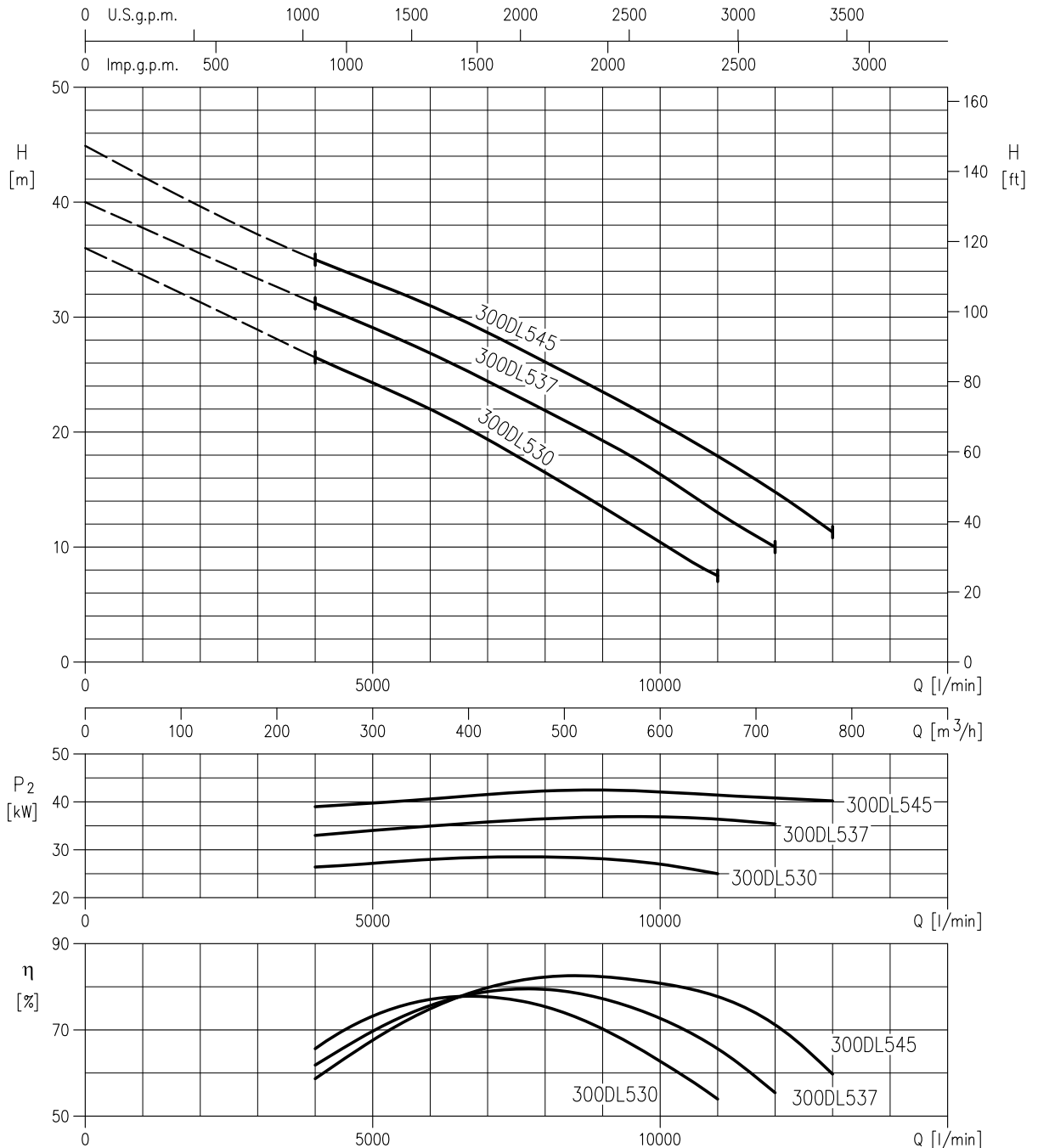
Rotation speed $\approx 1450 \text{ min}^{-1}$
 Test standard: ISO 9906 – Annex A

300DL511 (11 kW)
300DL515 (15 kW)
300DL518.5 (18.5 kW)
300DL522 (22 kW)



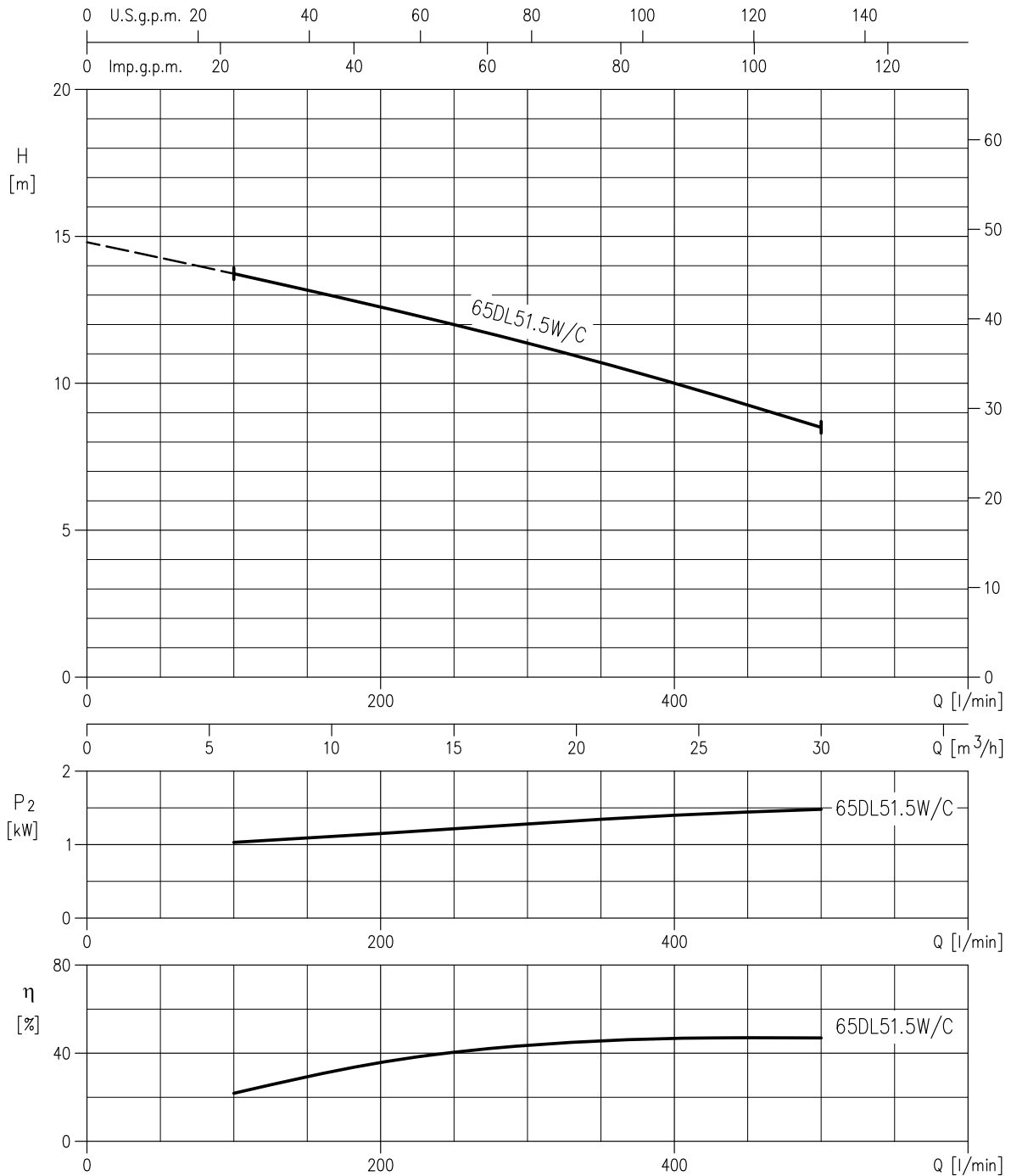
Rotation speed $\approx 1450 \text{ min}^{-1}$
 Test standard: ISO 9906 – Annex A

300DL530 (30 kW)
300DL537 (37 kW)
300DL545 (45 kW)



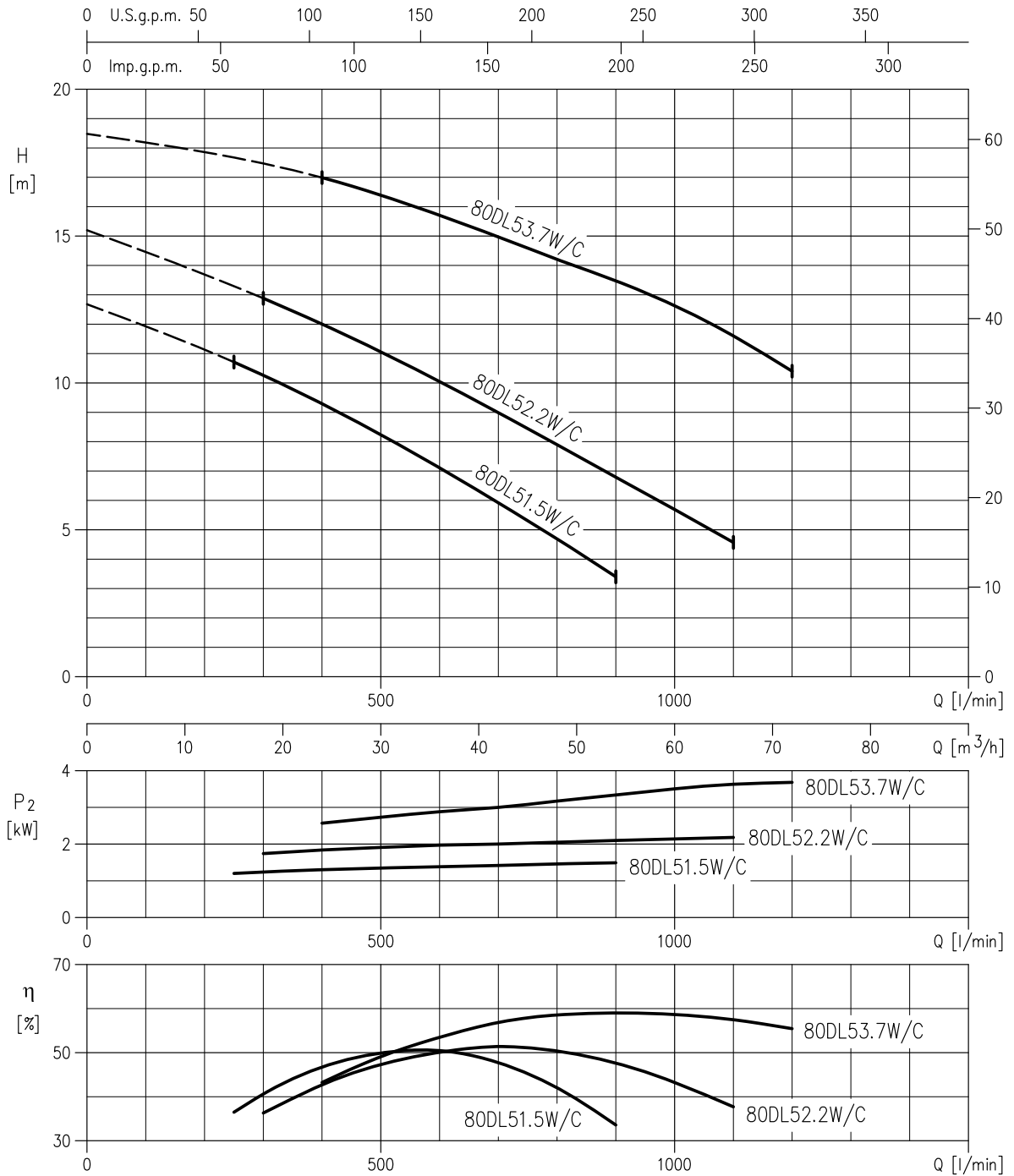
Rotation speed $\approx 1450 \text{ min}^{-1}$
 Test standard: ISO 9906 – Annex A

65DL51.5W/C (1.5 kW)



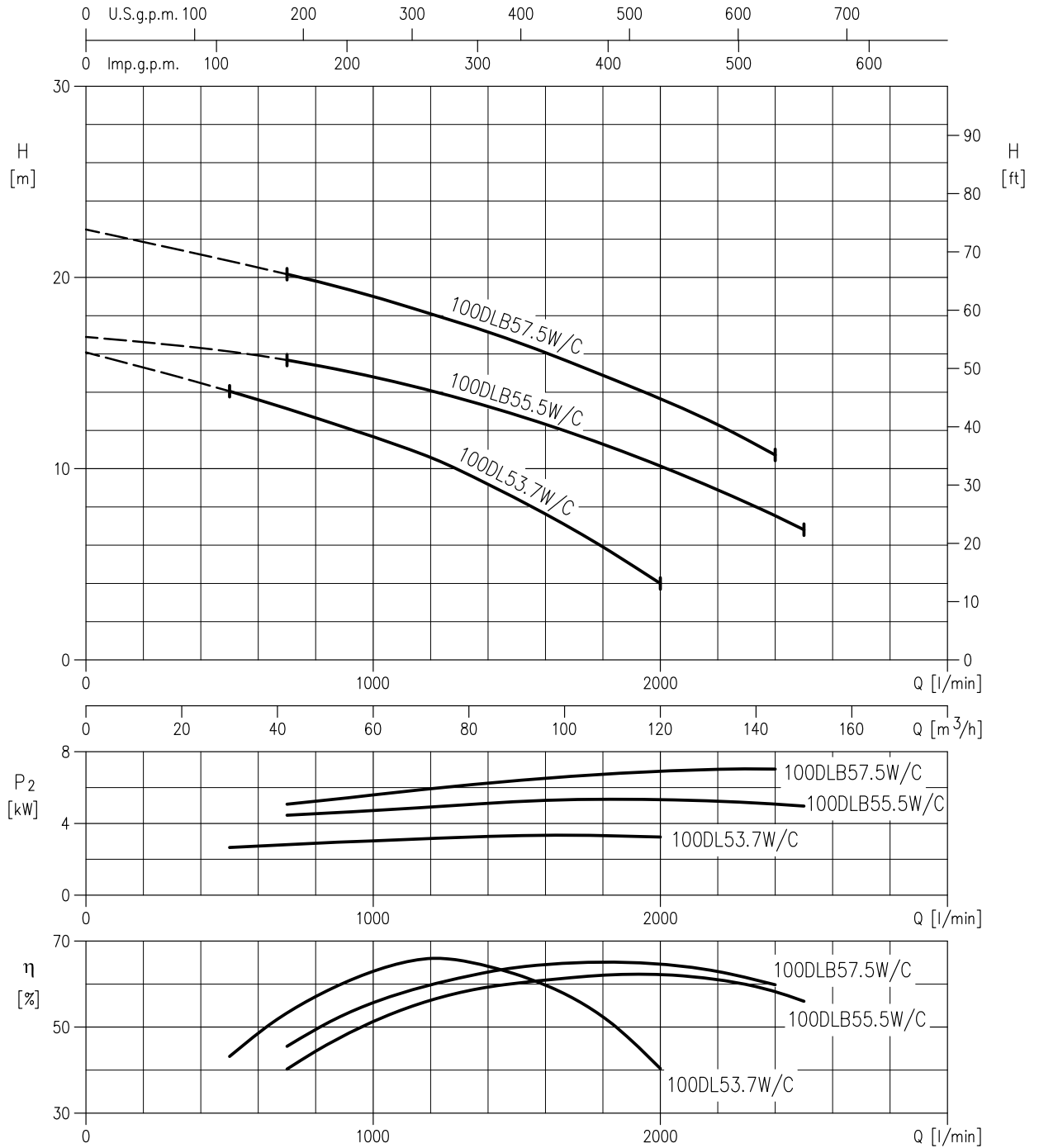
Rotation speed $\approx 1450 \text{ min}^{-1}$
 Test standard: ISO 9906 – Annex A

80DL51.5W/C (1.5 kW)
 80DL52.2W/C (2.2 kW)
 80DL53.7W/C (3.7 kW)



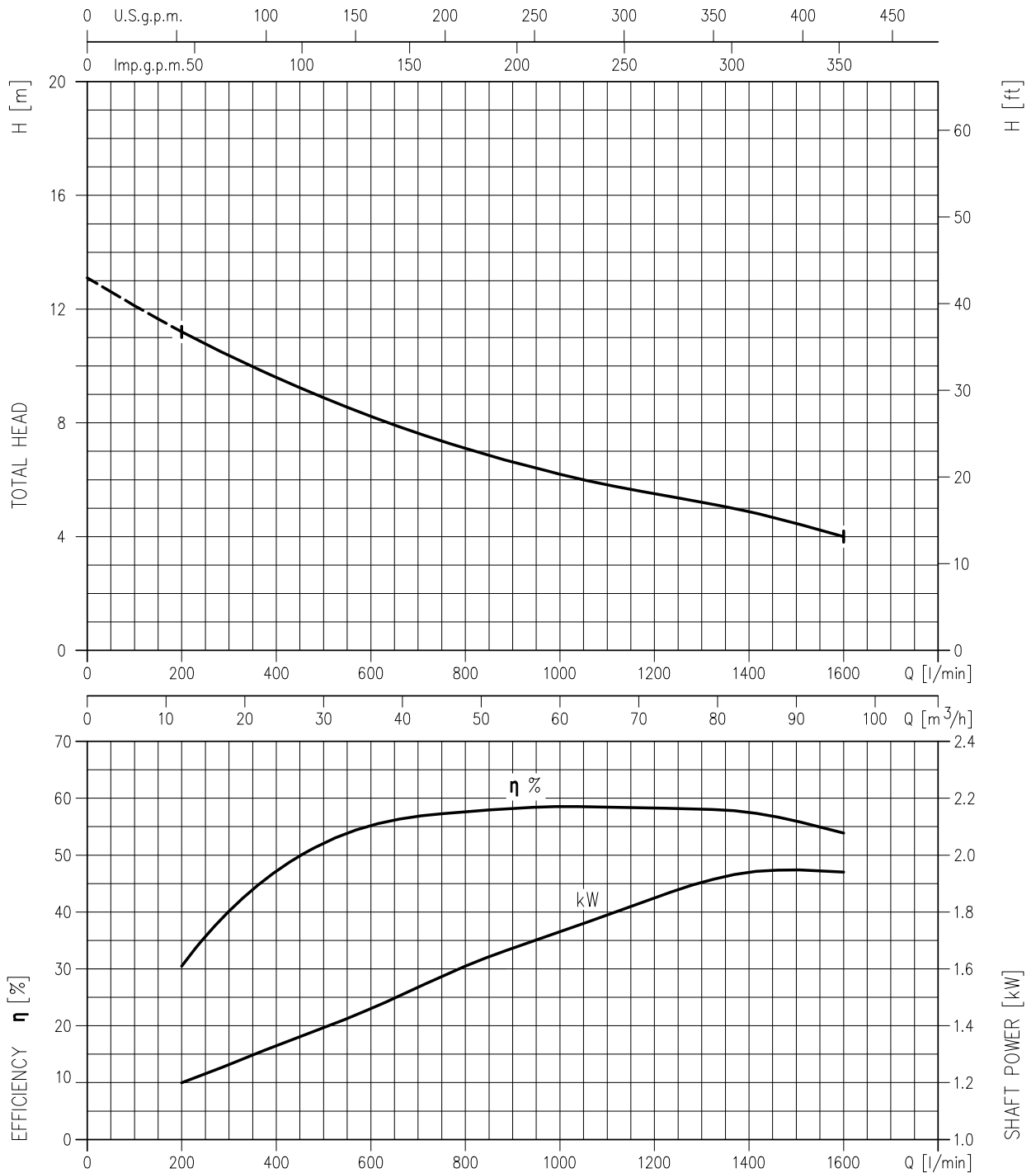
Rotation speed $\approx 1450 \text{ min}^{-1}$
 Test standard: ISO 9906 – Annex A

100DL53.7W/C (3.7 kW)
100DLB55.5W/C (5.5 kW)
100DLB57.5W/C (7.5 kW)



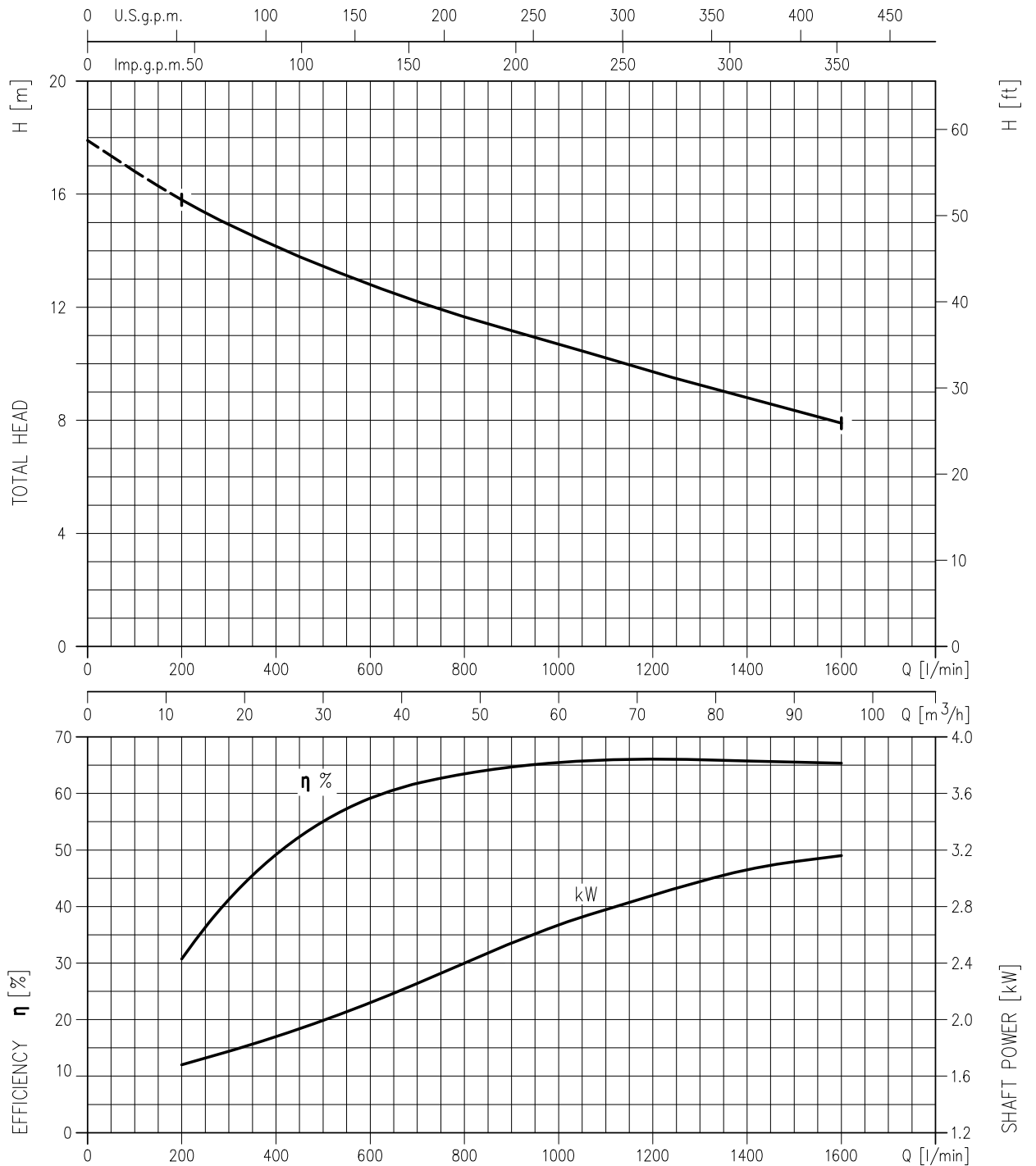
Rotation speed $\approx 1450 \text{ min}^{-1}$
 Test standard: ISO 9906 – Annex A

80DML52.2



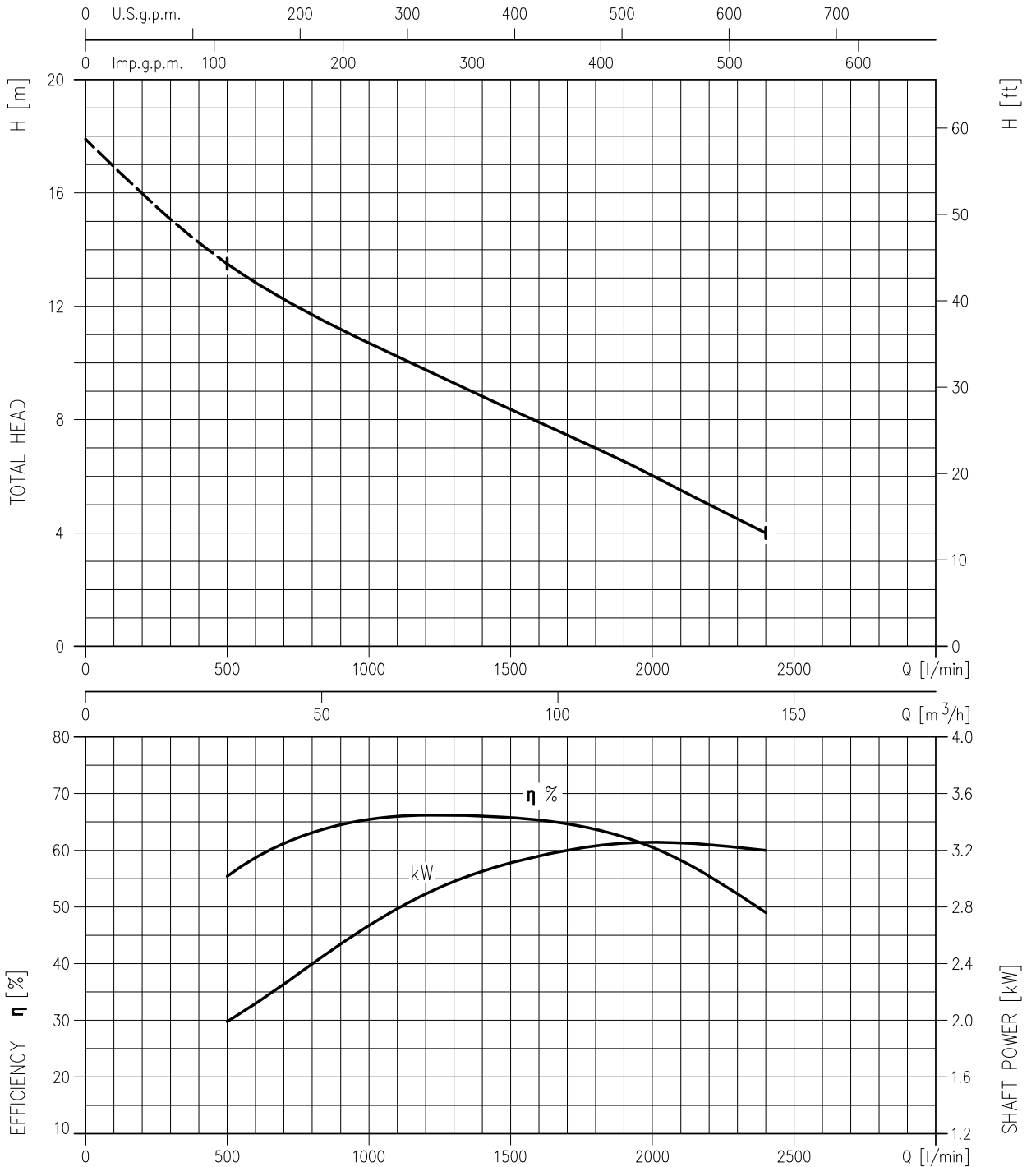
Rotation speed $\approx 1450 \text{ min}^{-1}$
 Test standard: ISO 9906 – Annex A

80DML53.7



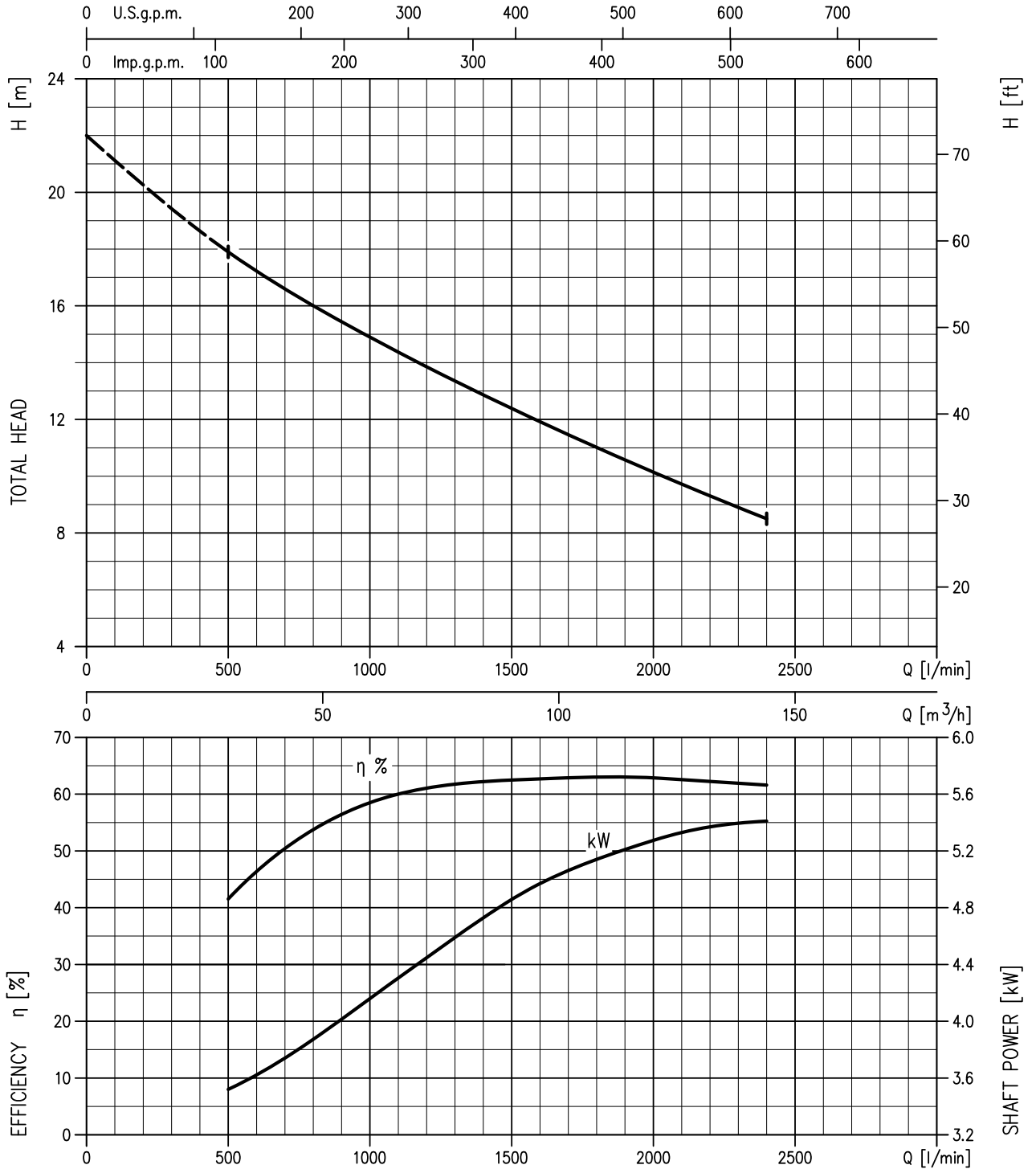
Rotation speed $\approx 1450 \text{ min}^{-1}$
 Test standard: ISO 9906 – Annex A

100DML53.7



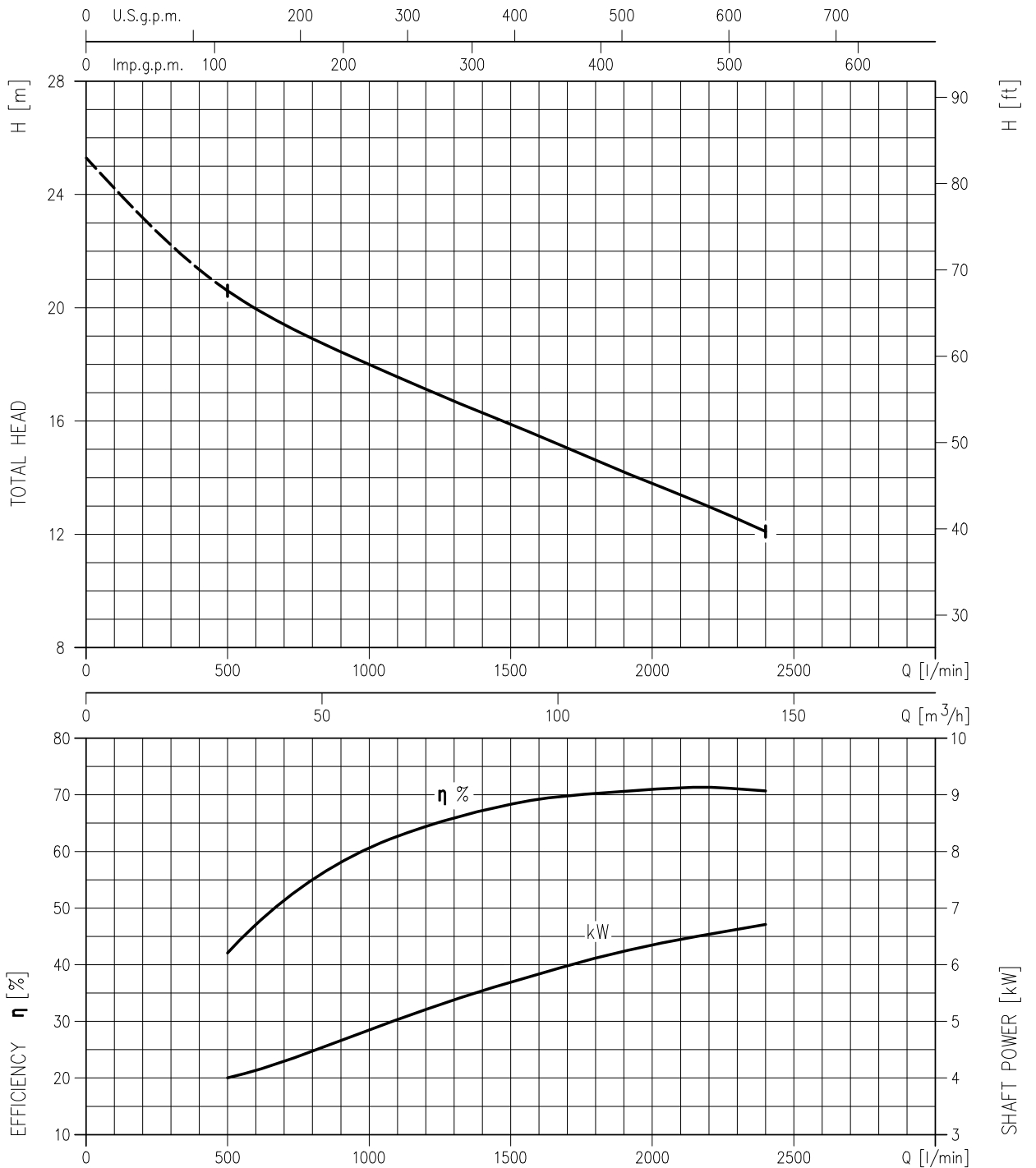
Rotation speed $\approx 1450 \text{ min}^{-1}$
 Test standard: ISO 9906 – Annex A

100DML55.5



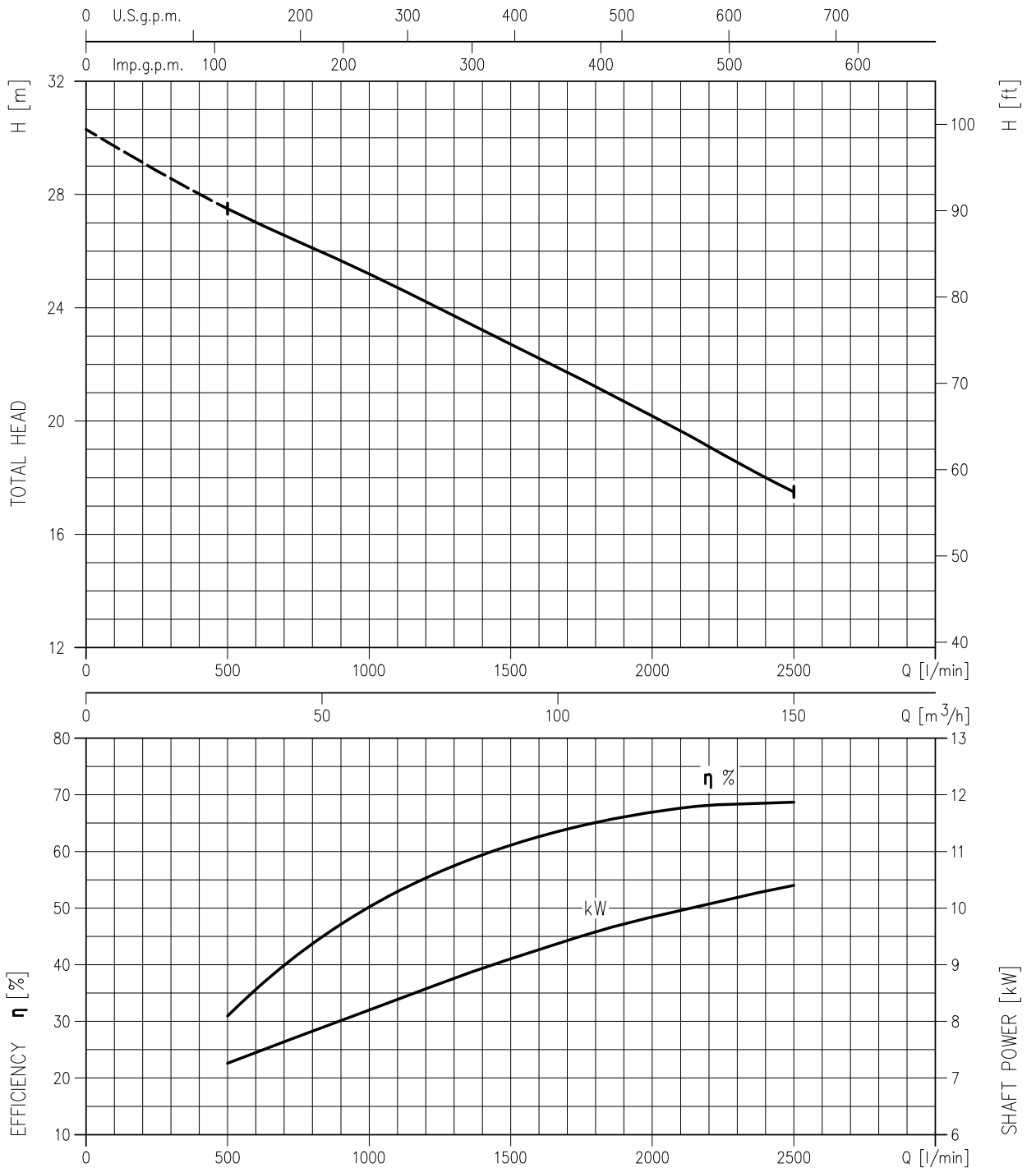
Rotation speed $\approx 1450 \text{ min}^{-1}$
 Test standard: ISO 9906 – Annex A

100DML57.5



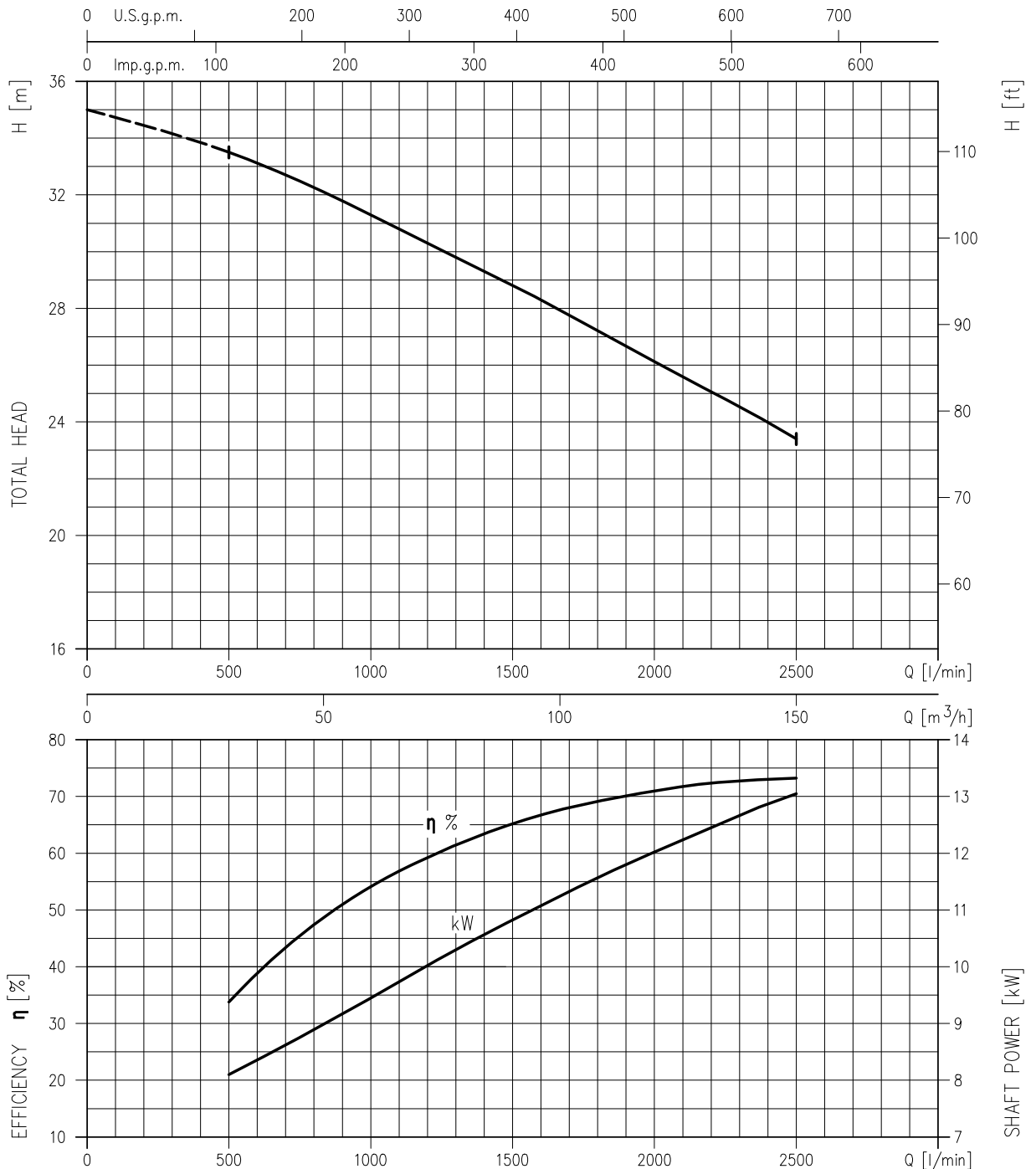
Rotation speed $\approx 1450 \text{ min}^{-1}$
 Test standard: ISO 9906 – Annex A

100DML511



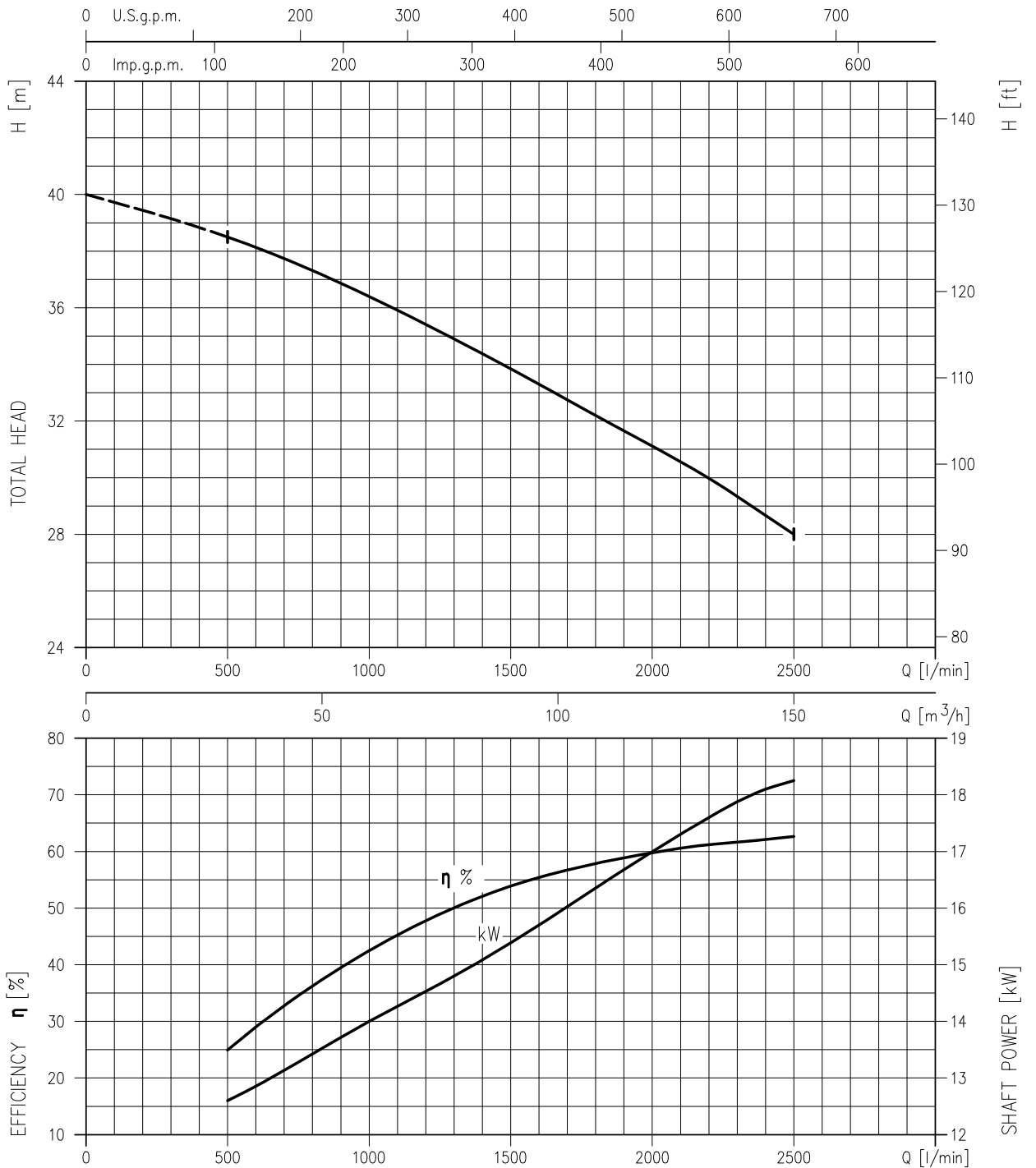
Rotation speed $\approx 1450 \text{ min}^{-1}$
 Test standard: ISO 9906 – Annex A

100DML515



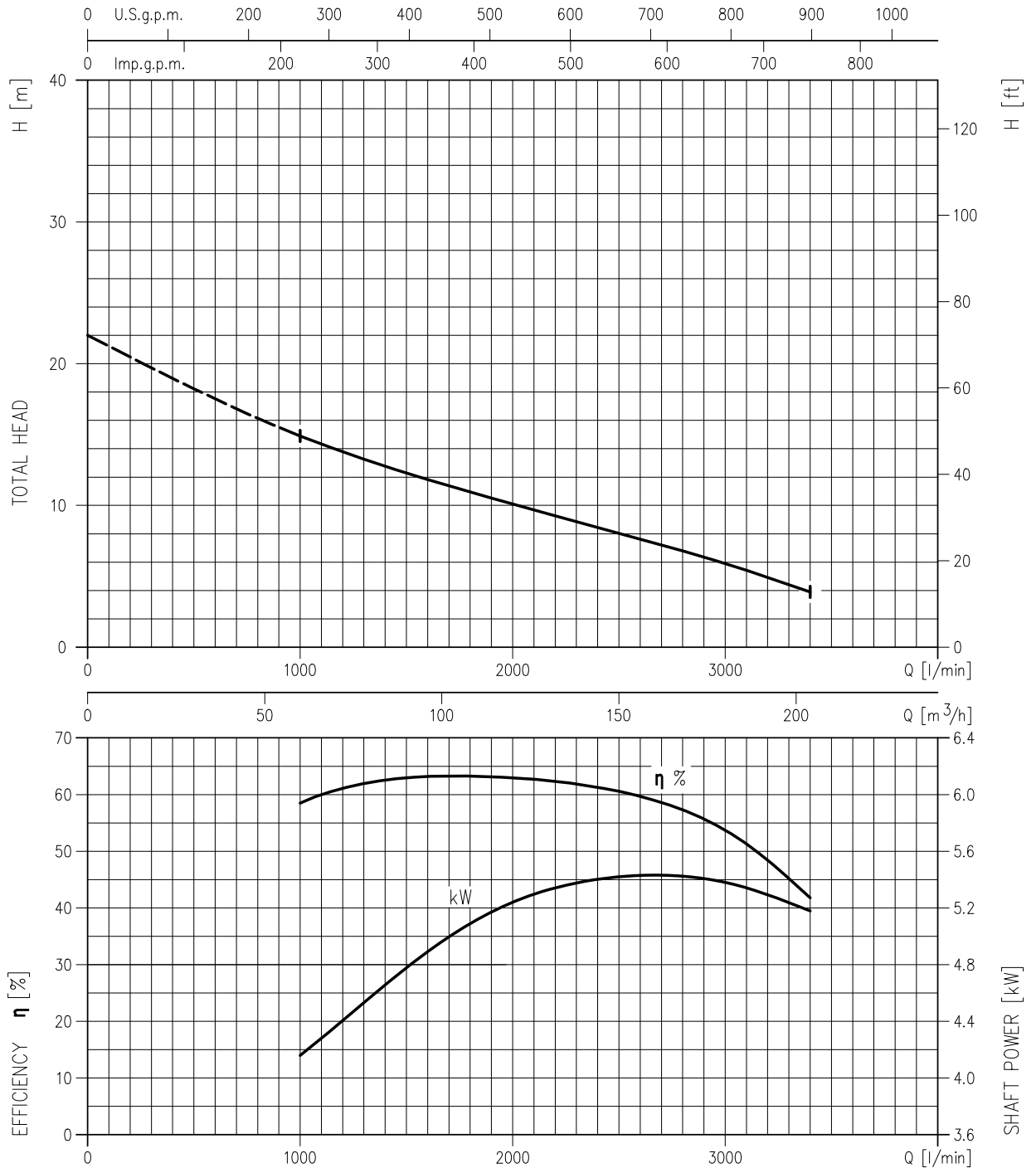
Rotation speed $\approx 1450 \text{ min}^{-1}$
 Test standard: ISO 9906 – Annex A

100DML522



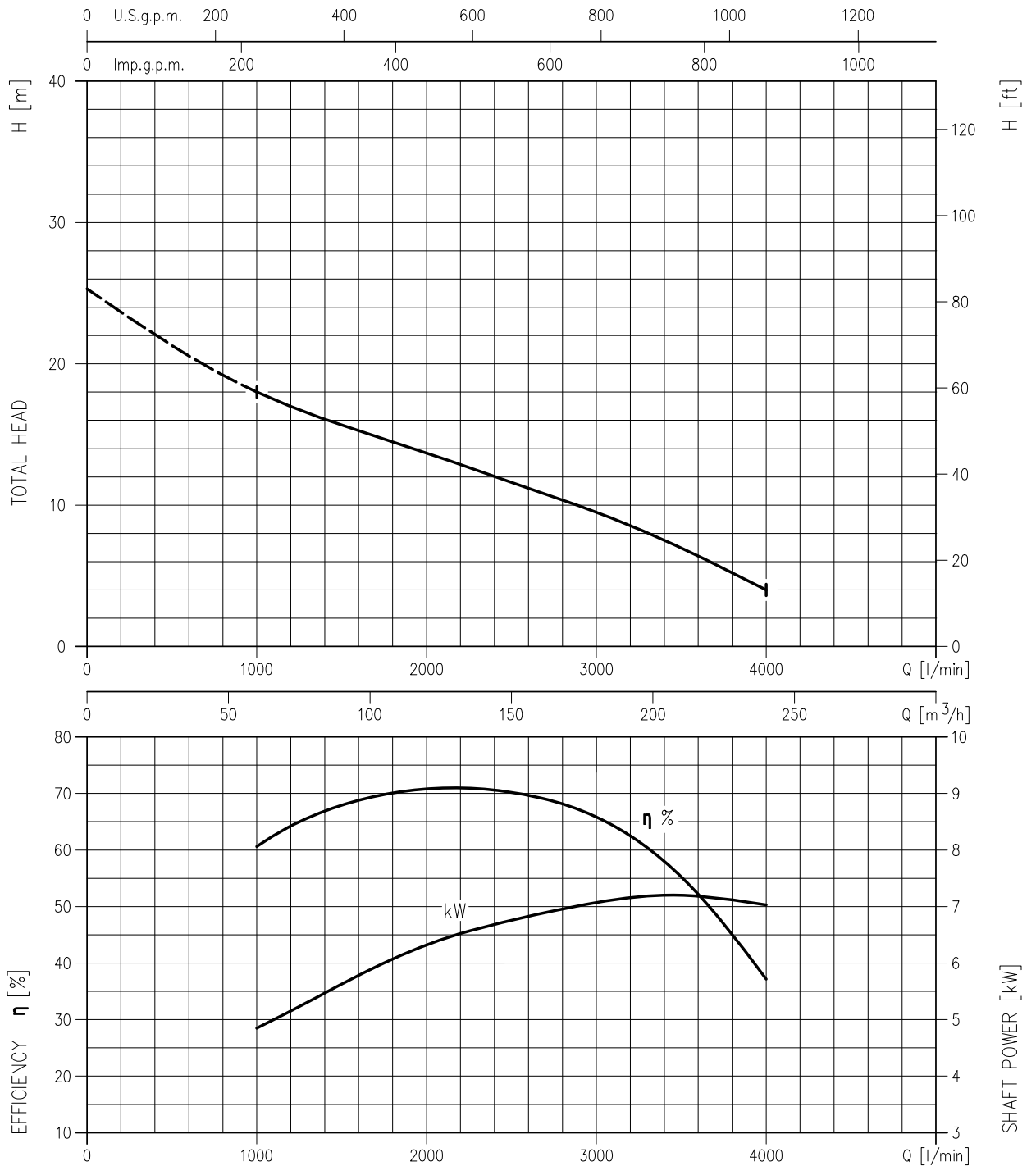
Rotation speed $\approx 1450 \text{ min}^{-1}$
 Test standard: ISO 9906 – Annex A

150DML55.5



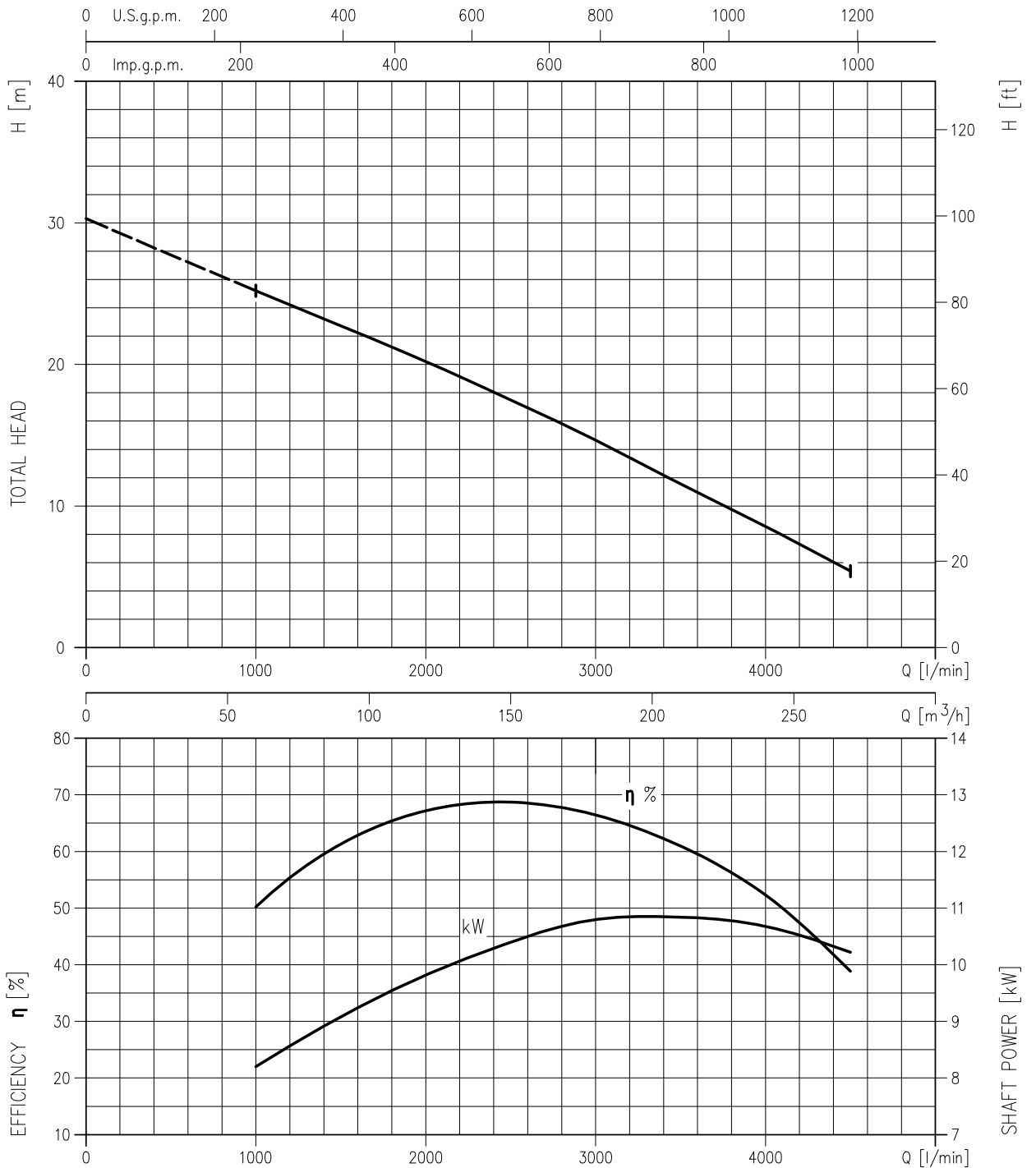
Rotation speed $\approx 1450 \text{ min}^{-1}$
 Test standard: ISO 9906 – Annex A

150DML57.5



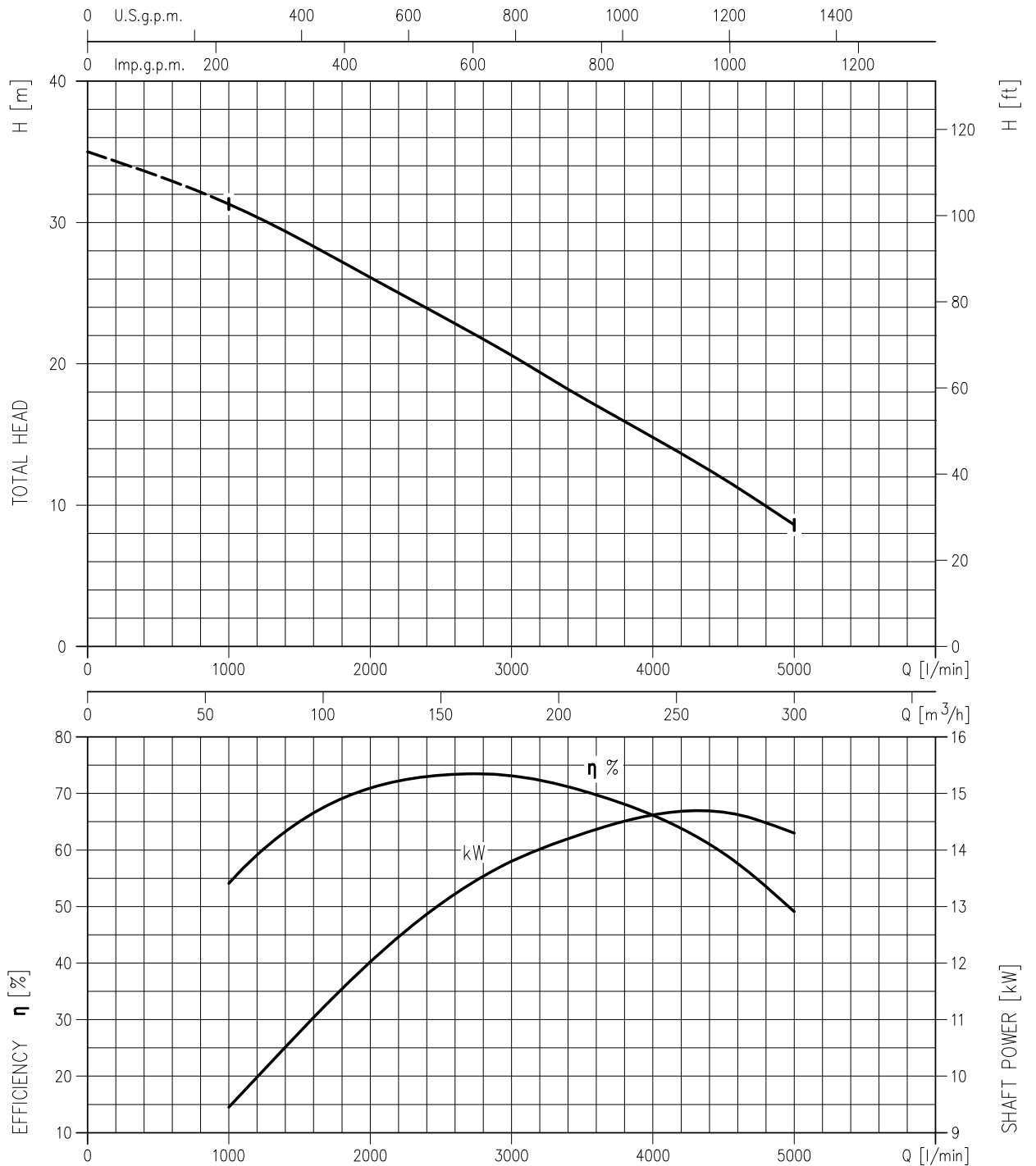
Rotation speed $\approx 1450 \text{ min}^{-1}$
 Test standard: ISO 9906 – Annex A

150DML511



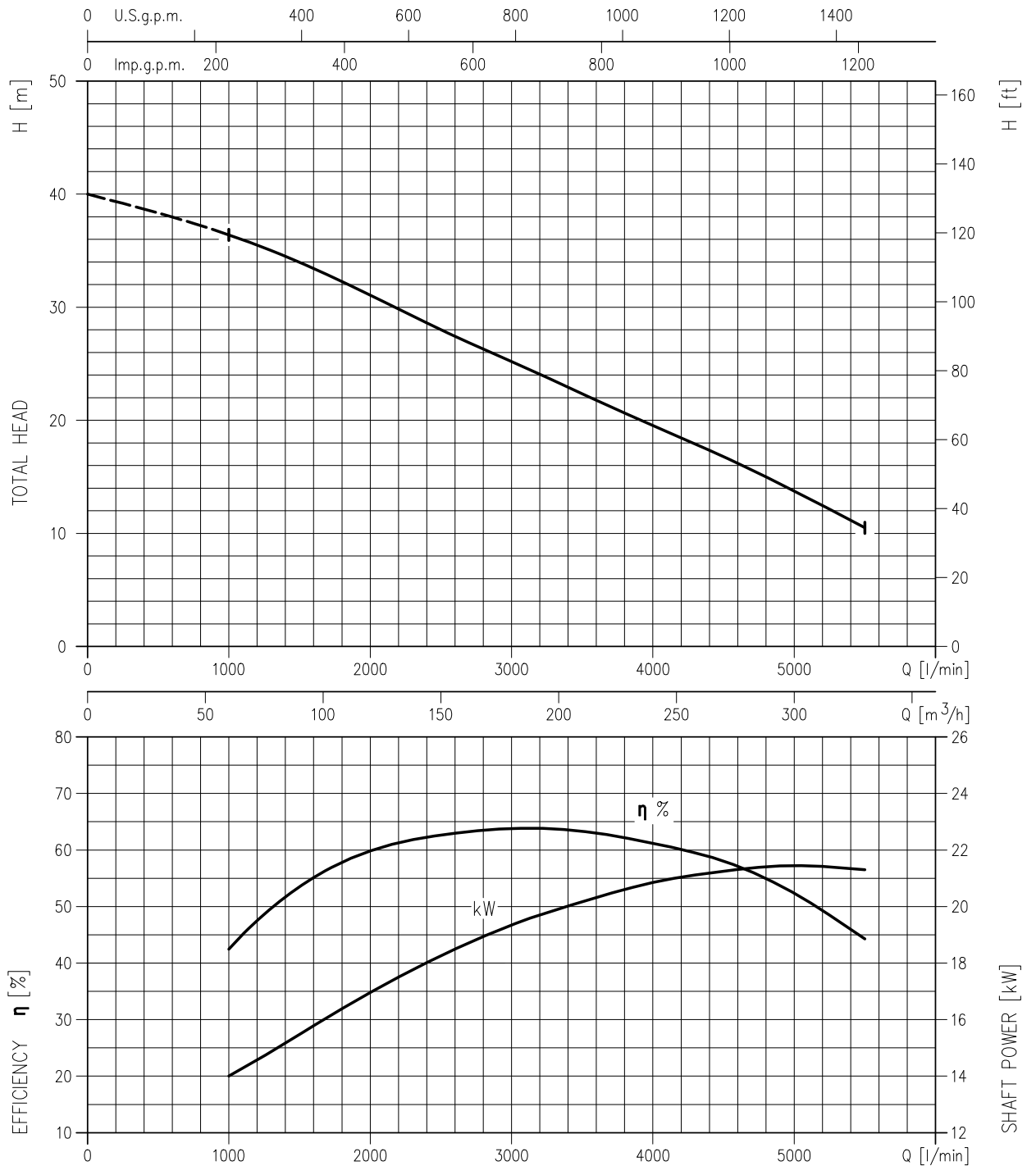
Rotation speed $\approx 1450 \text{ min}^{-1}$
 Test standard: ISO 9906 – Annex A

150DML515



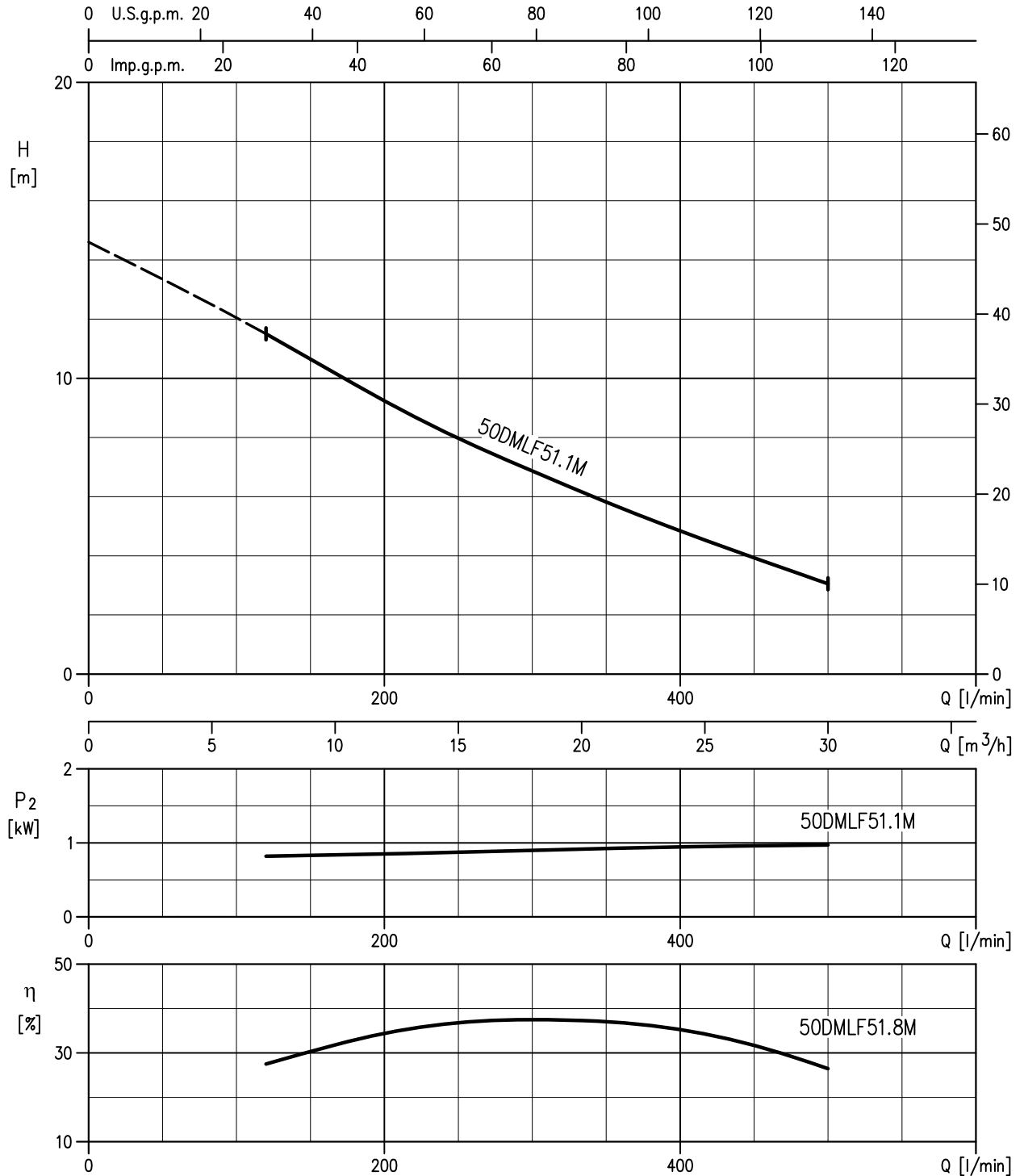
Rotation speed $\approx 1450 \text{ min}^{-1}$
 Test standard: ISO 9906 – Annex A

150DML522



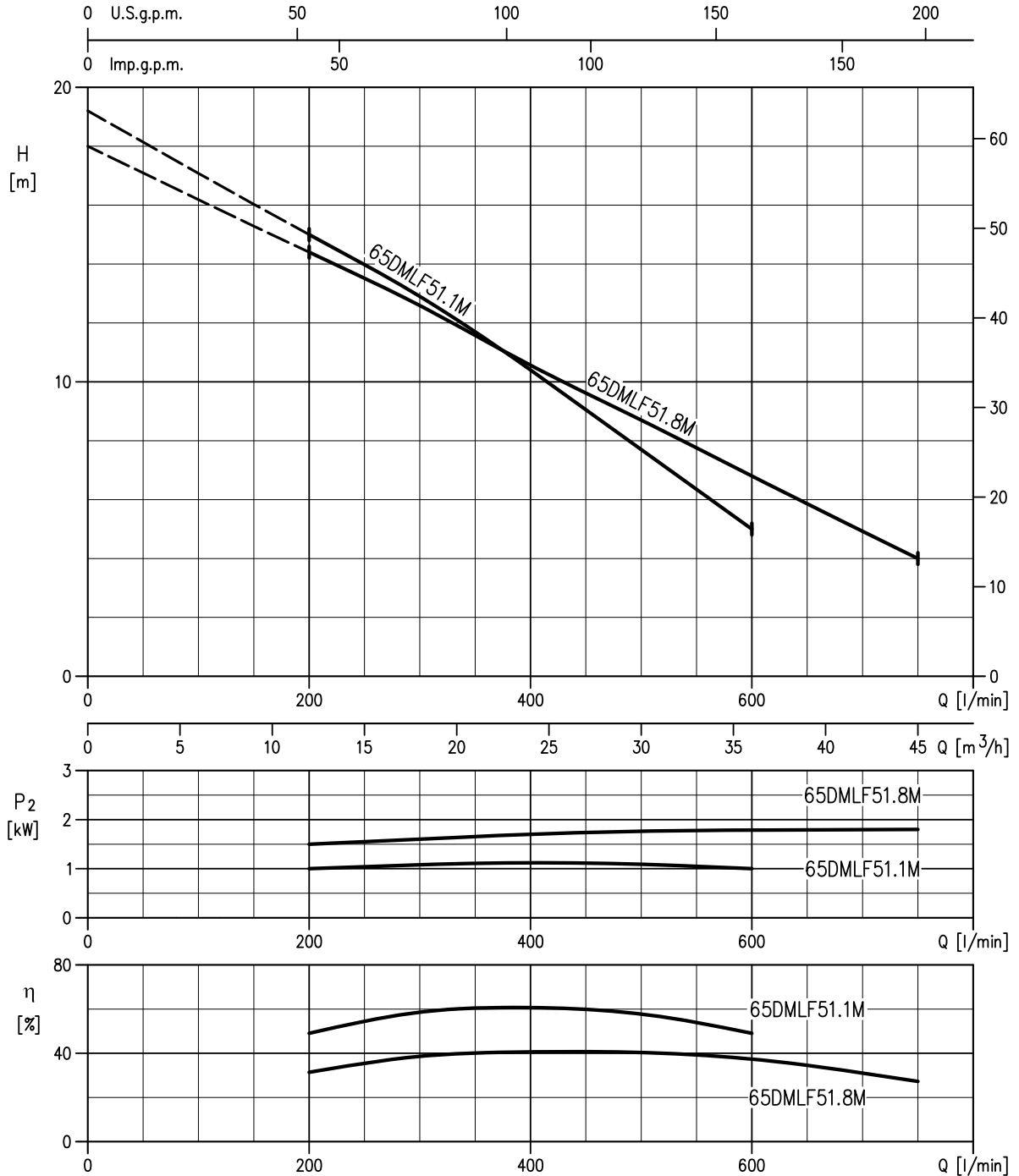
Rotation speed $\approx 1450 \text{ min}^{-1}$
 Test standard: ISO 9906 – Annex A

50DMLF51.1M (1.1 kW)



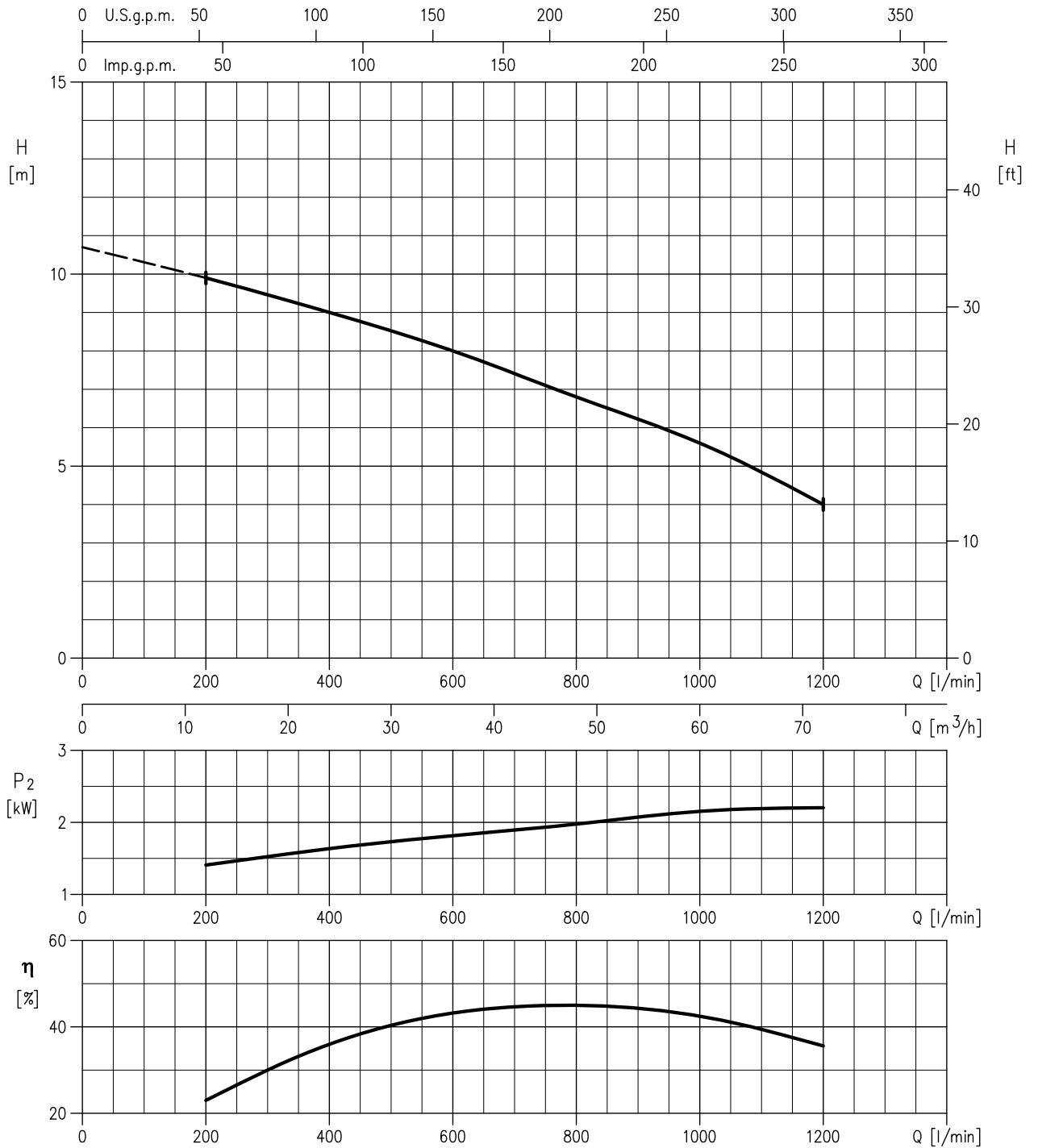
Rotation speed $\approx 2850 \text{ min}^{-1}$
 Test standard: ISO 9906 – Annex A

65DMLF51.1M(1.1kW)
65DMLF51.8M(1.8kW)

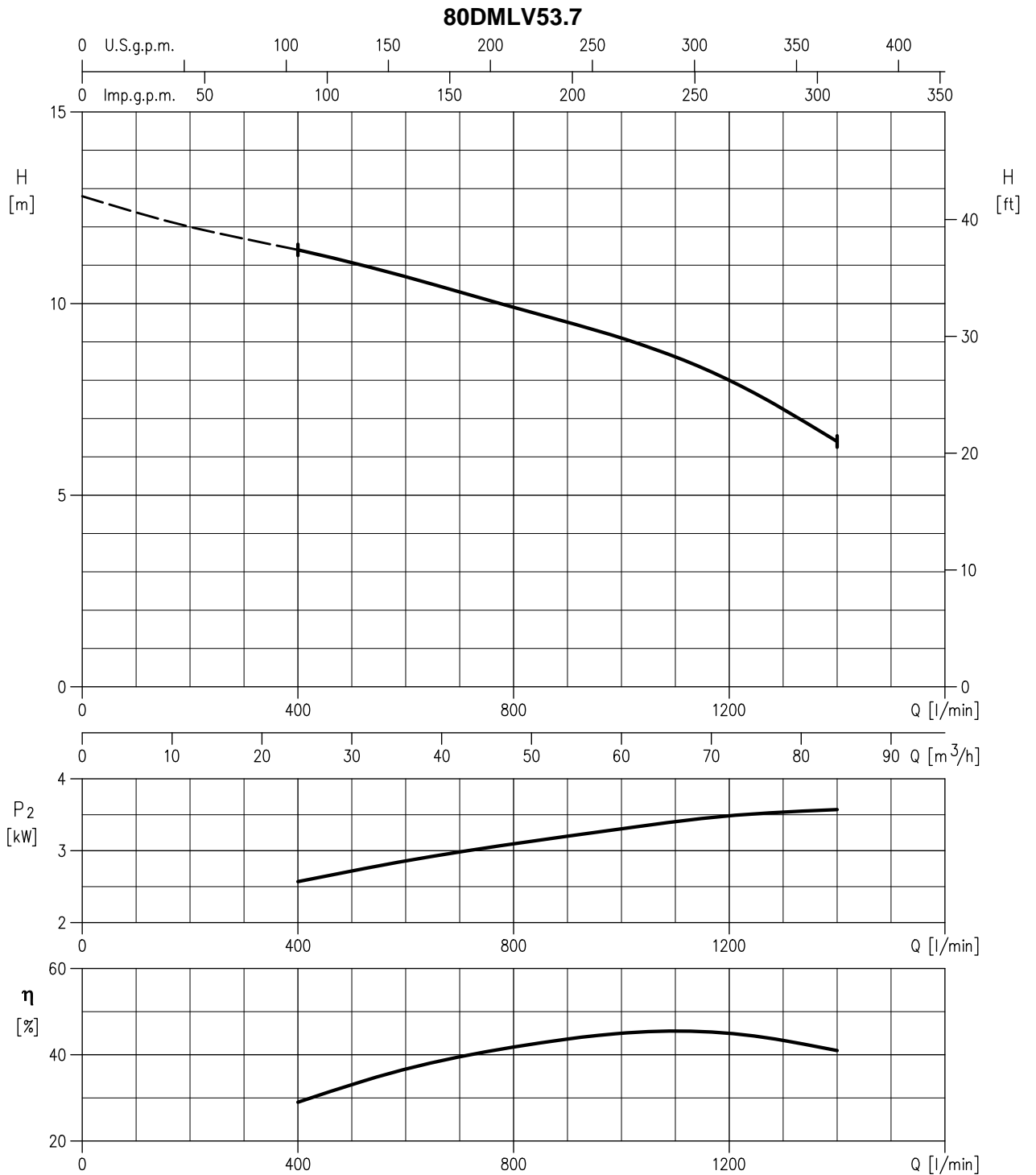


Rotation speed $\approx 2850 \text{ min}^{-1}$
Test standard: ISO 9906 – Annex A

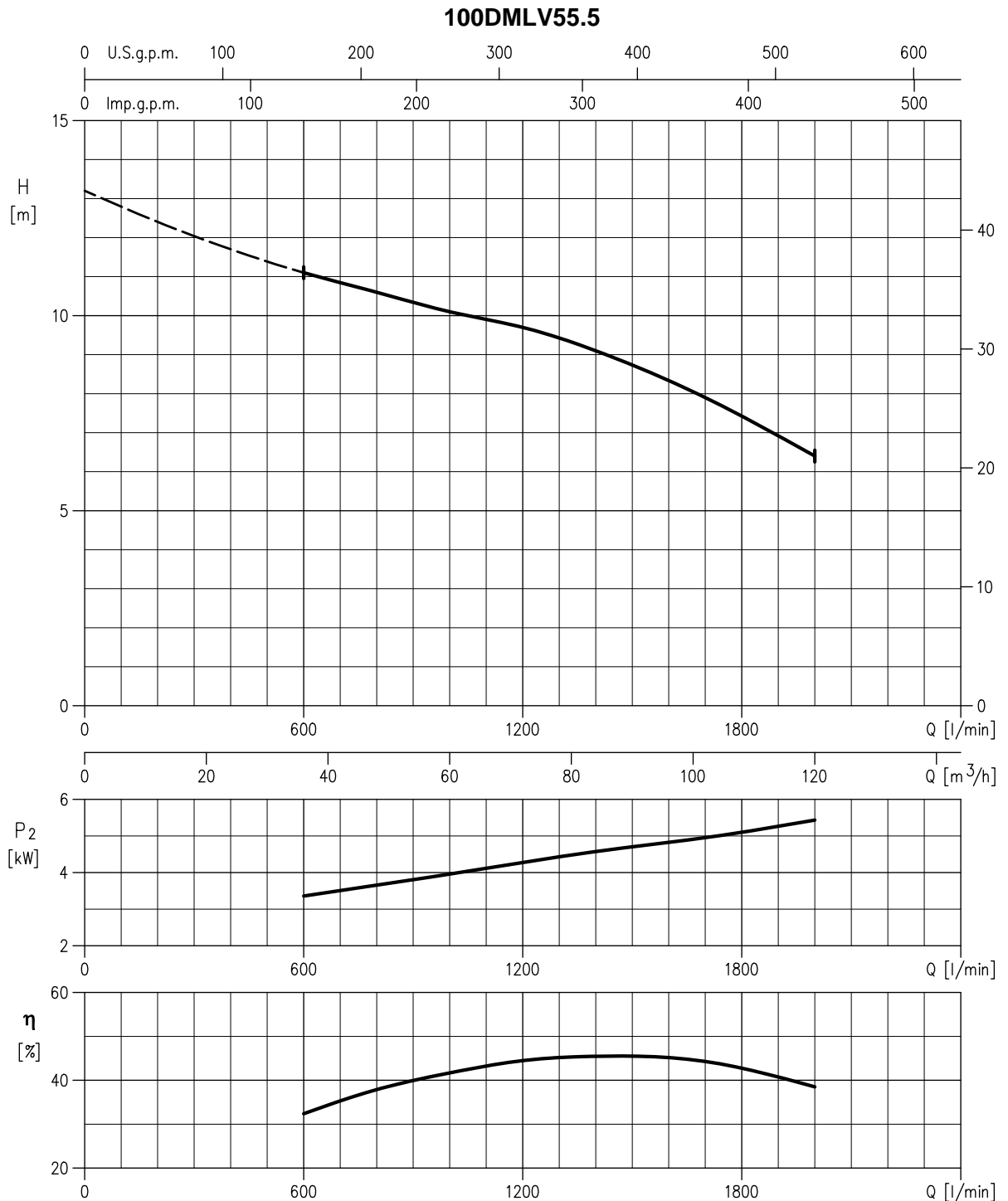
80DMLV52.2



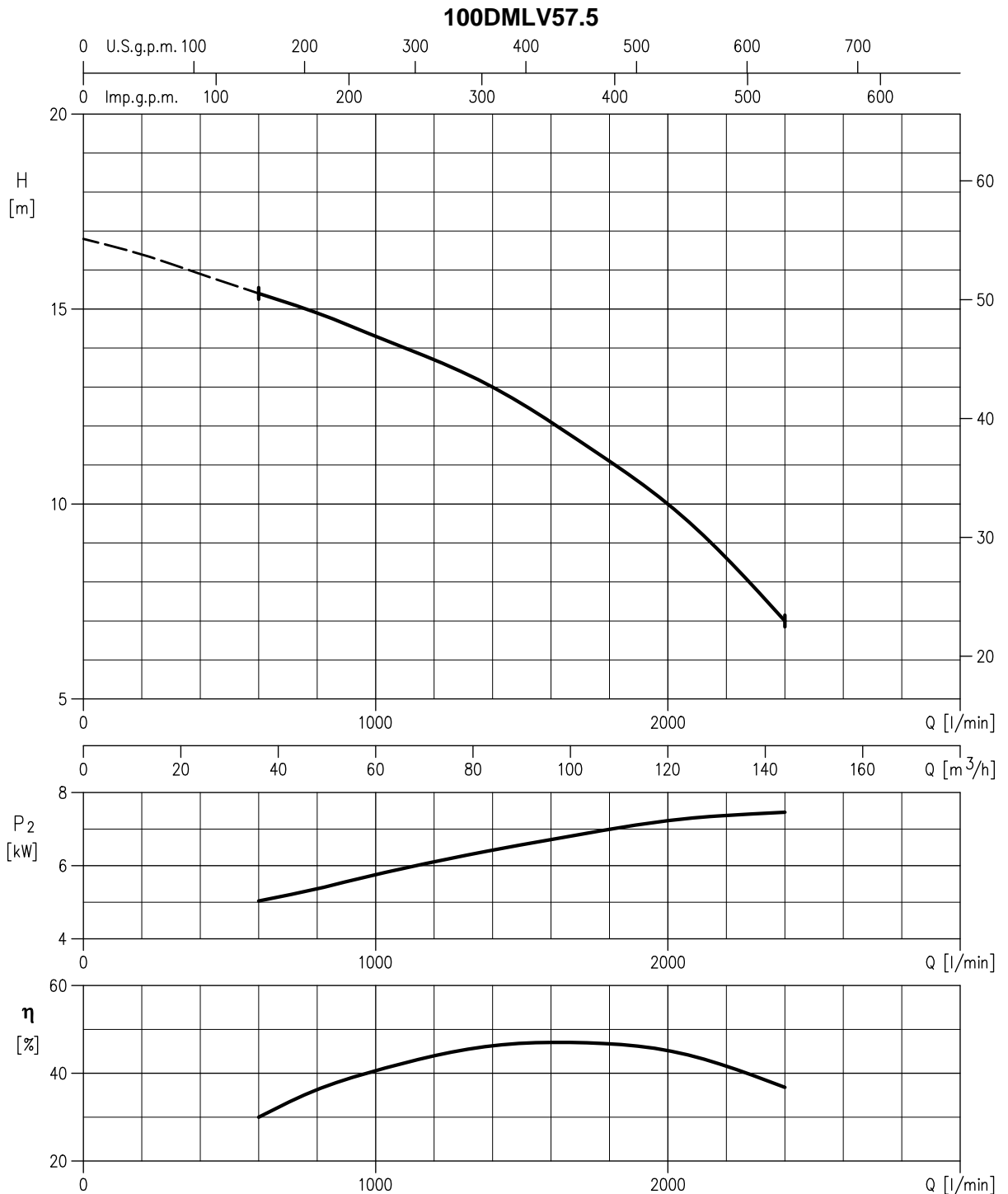
Rotation speed $\approx 1450 \text{ min}^{-1}$
 Test standard: ISO 9906 – Annex A



Rotation speed $\approx 1450 \text{ min}^{-1}$
 Test standard: ISO 9906 – Annex A

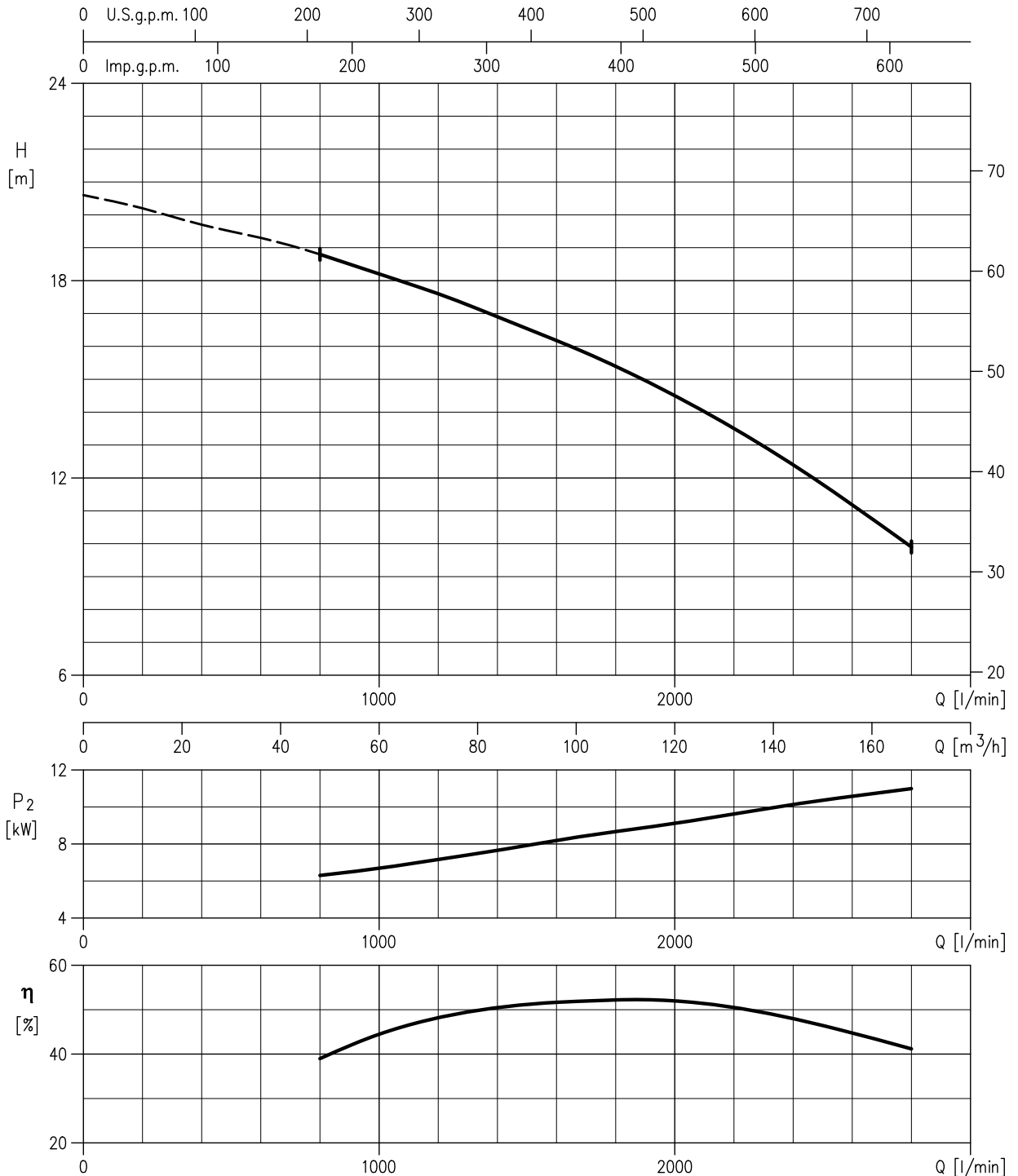


Rotation speed $\approx 1450 \text{ min}^{-1}$
 Test standard: ISO 9906 – Annex A



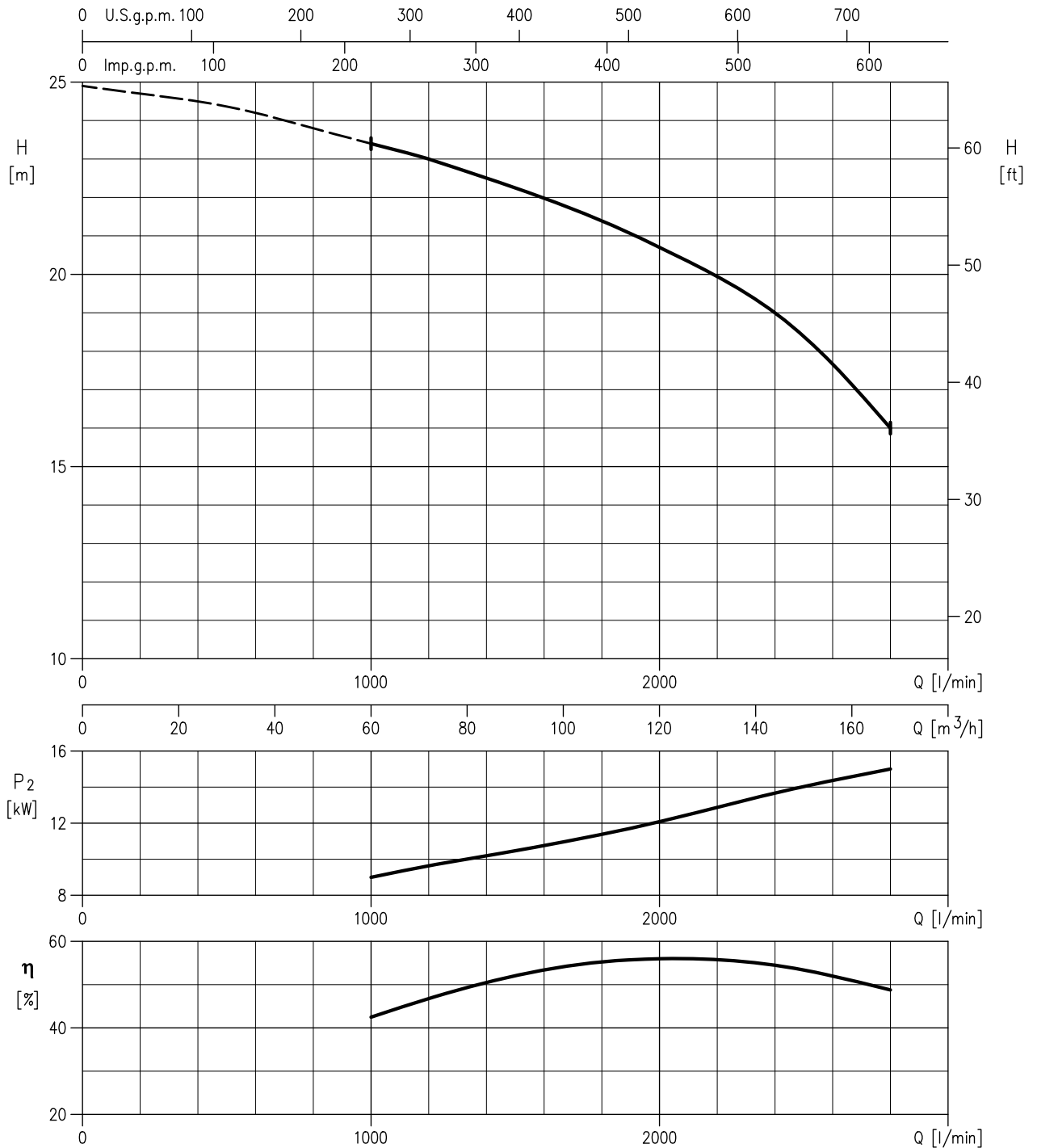
Rotation speed $\approx 1450 \text{ min}^{-1}$
 Test standard: ISO 9906 – Annex A

100DMLV511



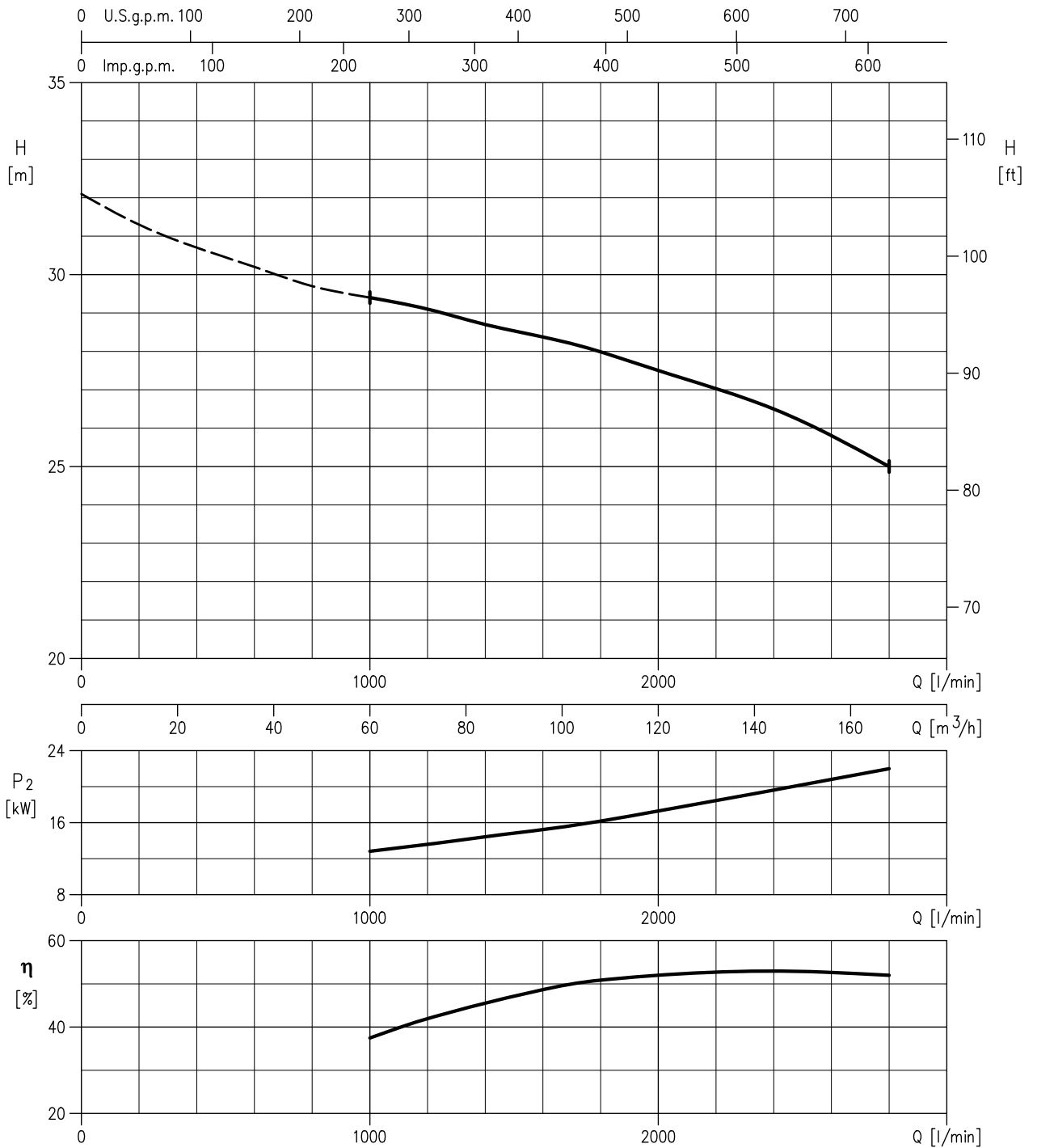
Rotation speed $\approx 1450 \text{ min}^{-1}$
 Test standard: ISO 9906 – Annex A

100DMLV515

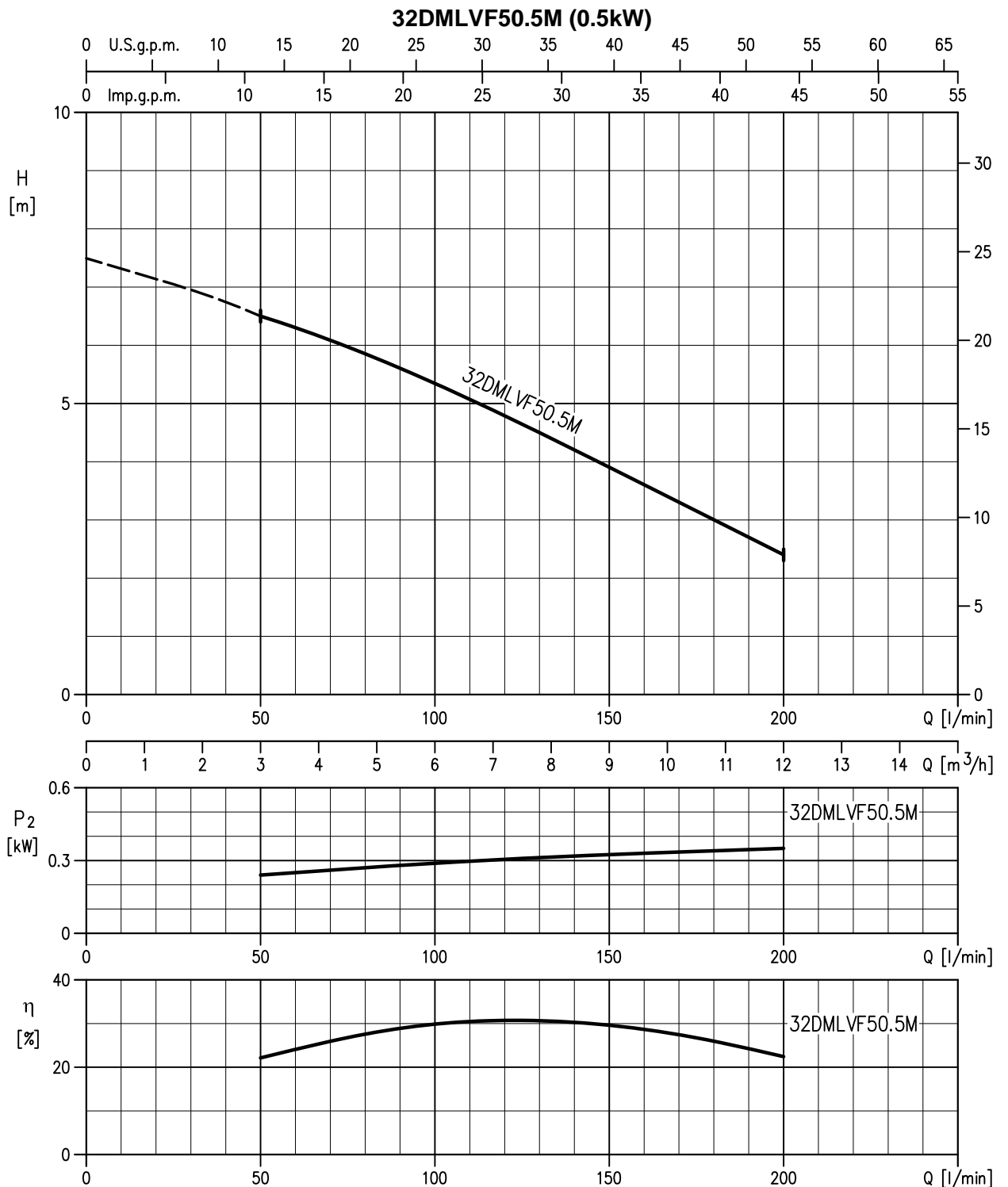


Rotation speed $\approx 1450 \text{ min}^{-1}$
 Test standard: ISO 9906 – Annex A

100DMLV522

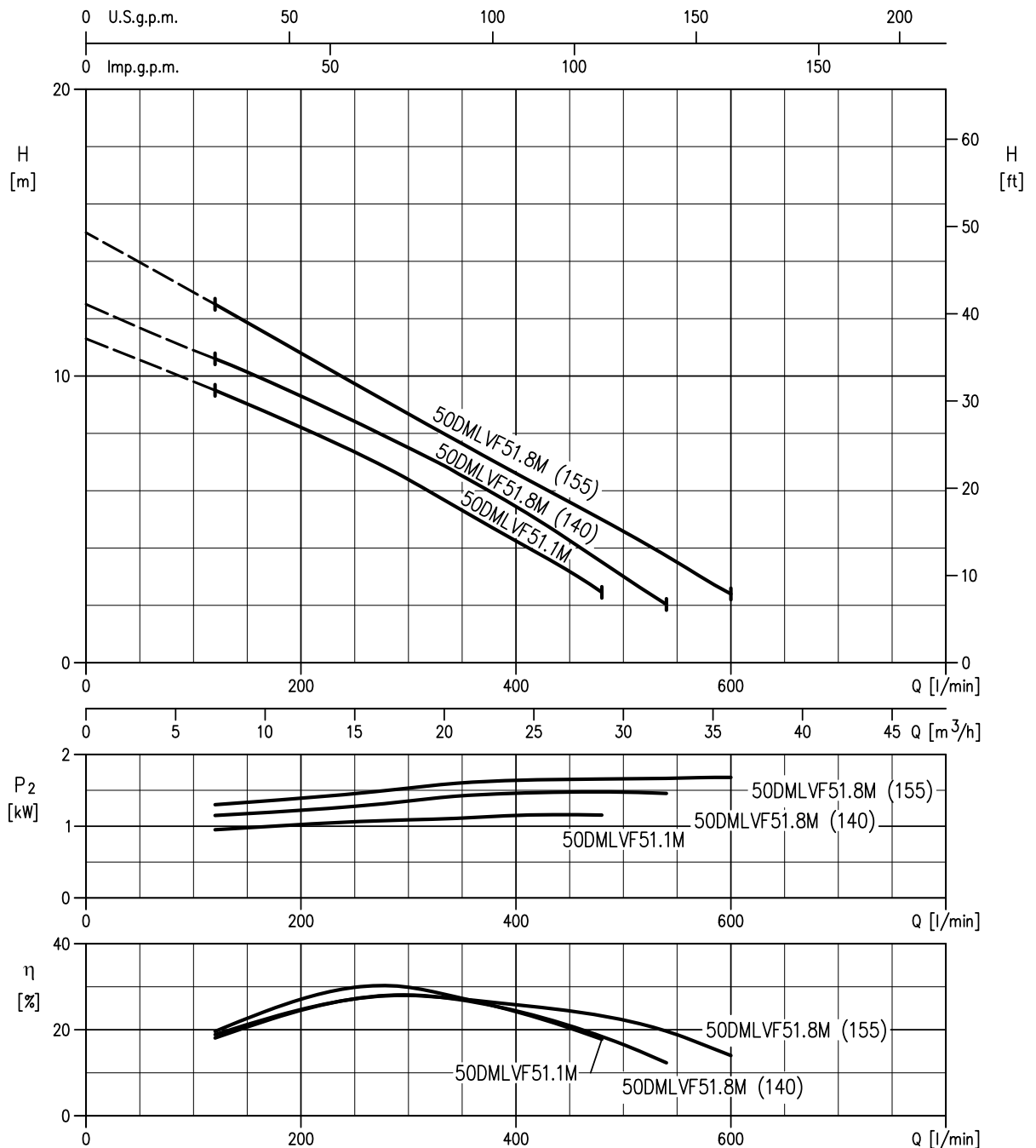


Rotation speed $\approx 1450 \text{ min}^{-1}$
 Test standard: ISO 9906 – Annex A



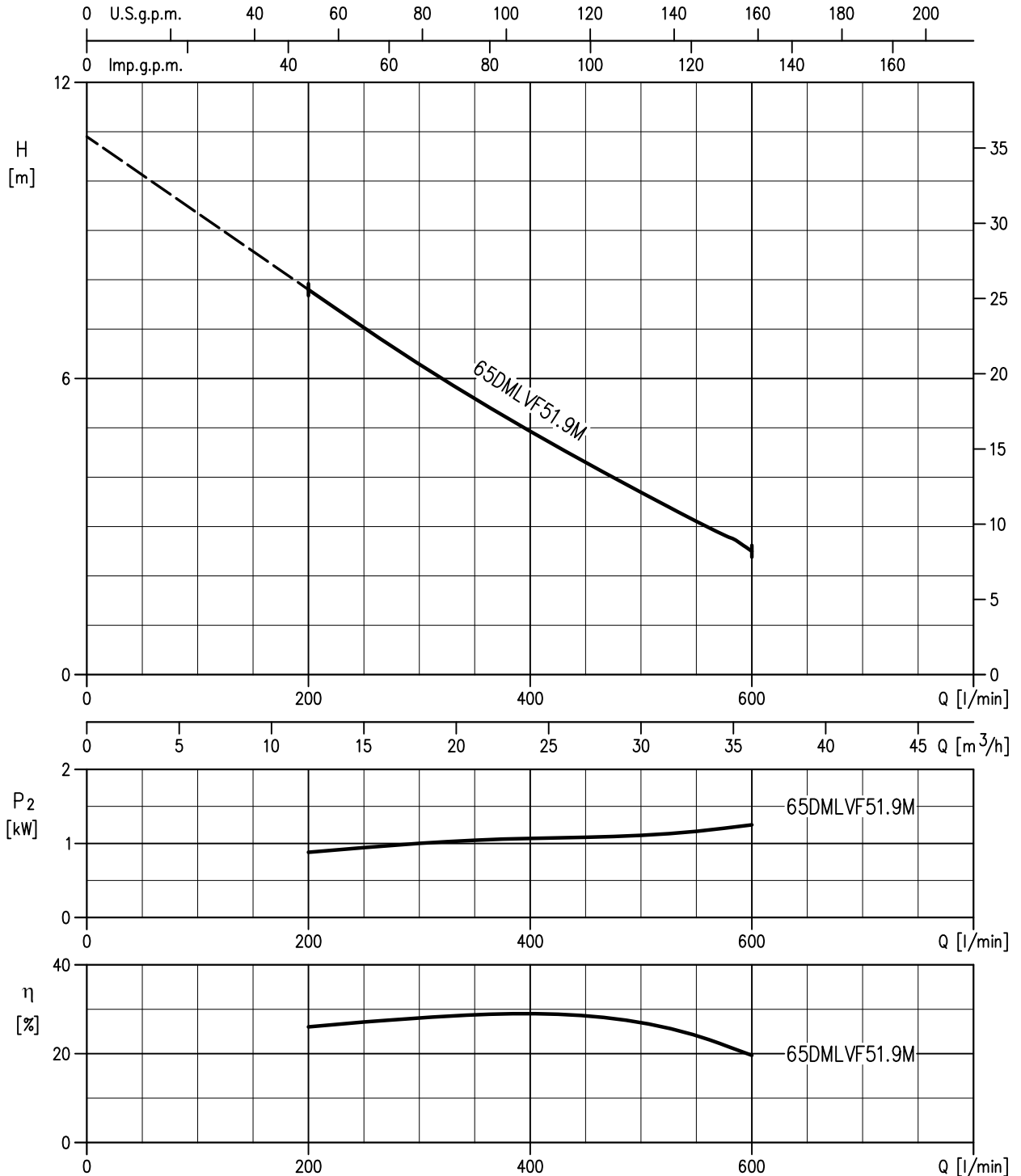
Rotation speed $\approx 2850 \text{ min}^{-1}$
 Test standard: ISO 9906 – Annex A

50DMLVF51.1M (1.1 kW)
 50DMLVF 51.8 (1.8 kW) - Impeller Diameter = 140 mm
 50DMLVF 51.8 (1.8 kW) - Impeller Diameter = 155 mm



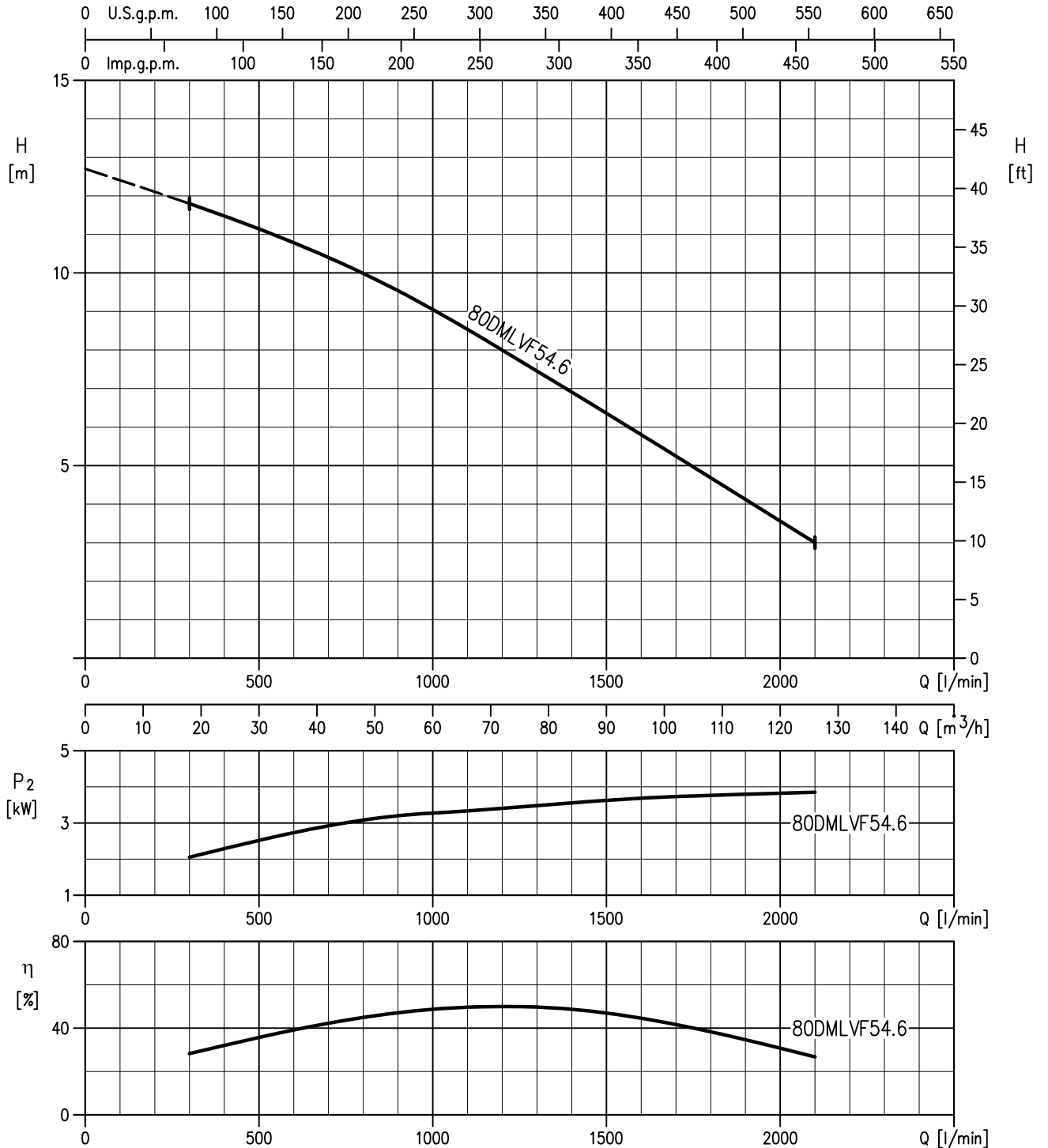
Rotation speed $\approx 2850 \text{ min}^{-1}$
 Test standard: ISO 9906 – Annex A

65DMLVF51.9 (1.9kW)



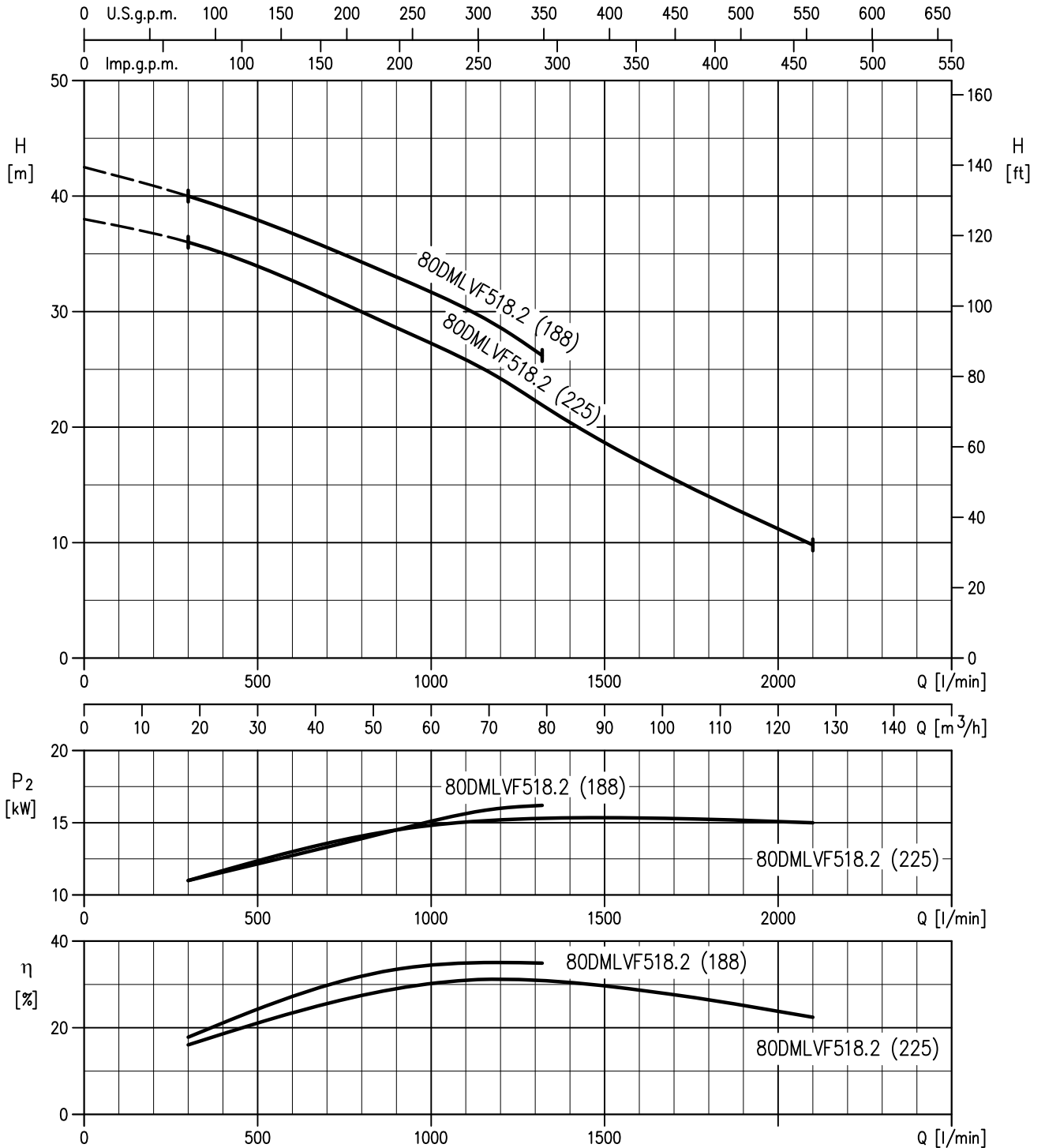
Rotation speed $\approx 2800 \text{ min}^{-1}$
 Test standard: ISO 9906 – Annex A

80DMLVF54.6 (4.6 kW)



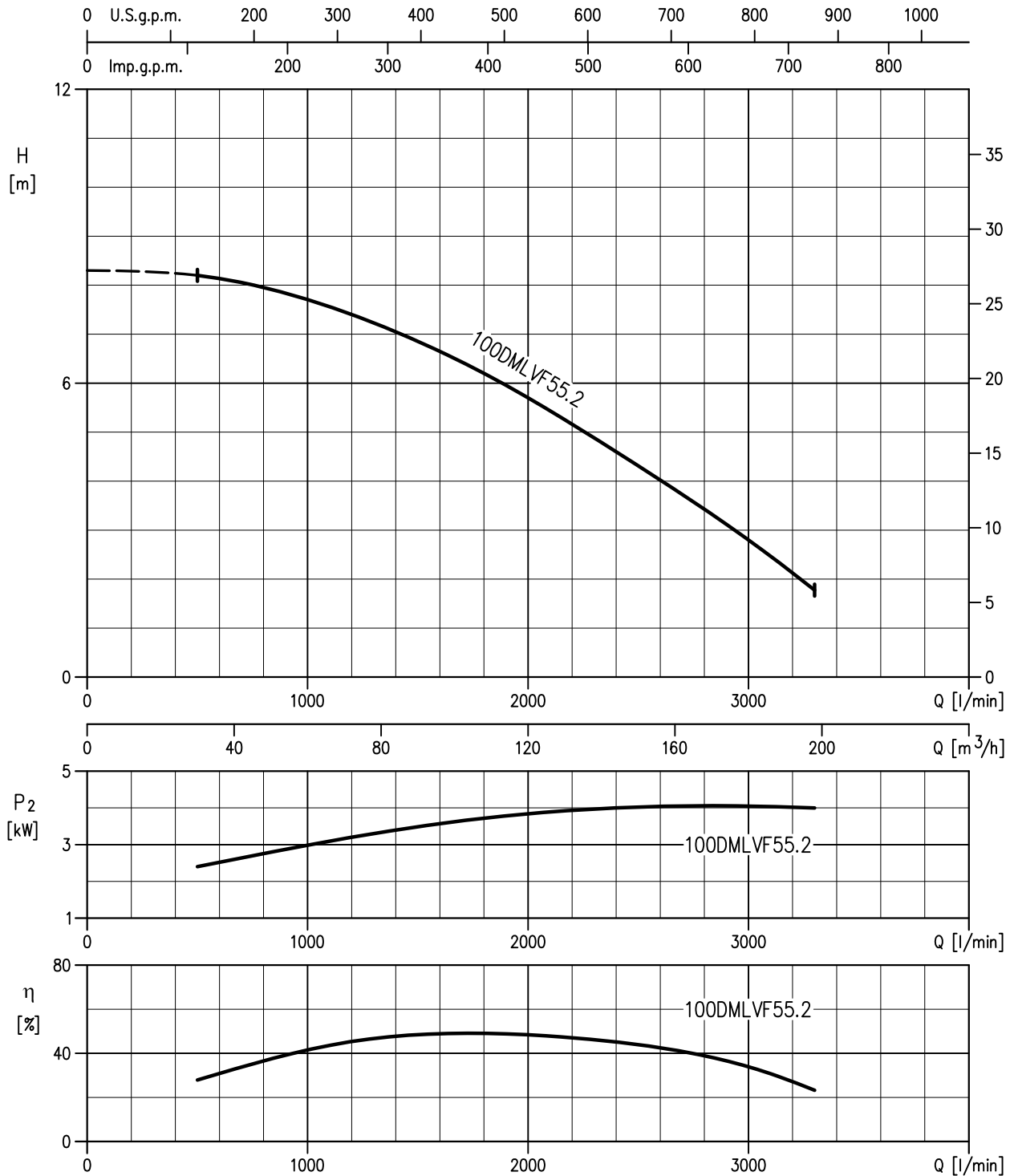
Rotation speed $\approx 1450 \text{ min}^{-1}$
 Test standard: ISO 9906 – Annex A

80DMLVF518.2 (18.2 kW) – Impeller Diameter = 255 mm
 80DMLVF518.2 (18.2 kW) – Impeller Diameter = 188 mm



Rotation speed ≈ 2850 min⁻¹
 Test standard: ISO 9906 – Annex A

100DMLVF55.2 (5.2 kW)

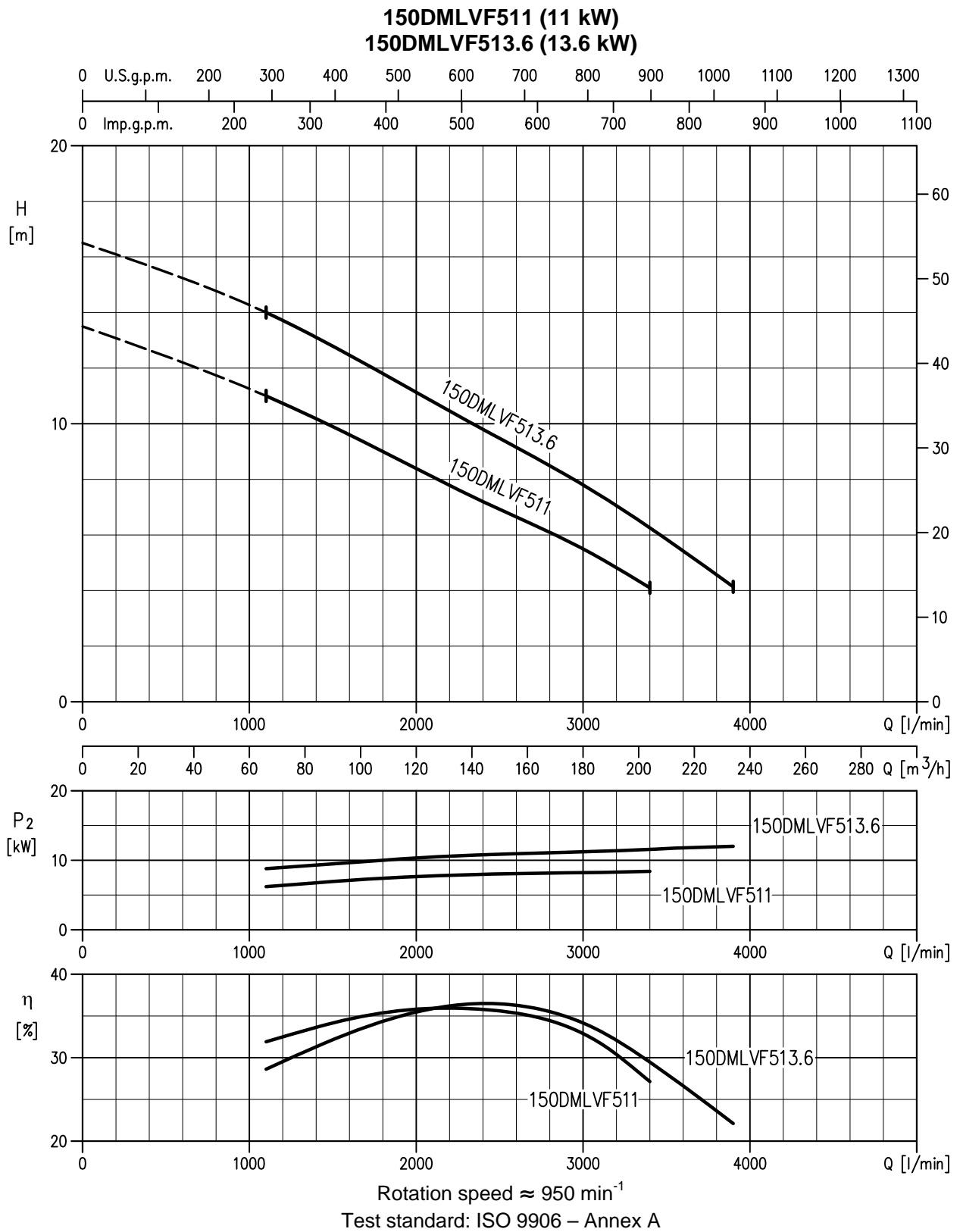


Rotation speed $\approx 950 \text{ min}^{-1}$
 Test standard: ISO 9906 – Annex A

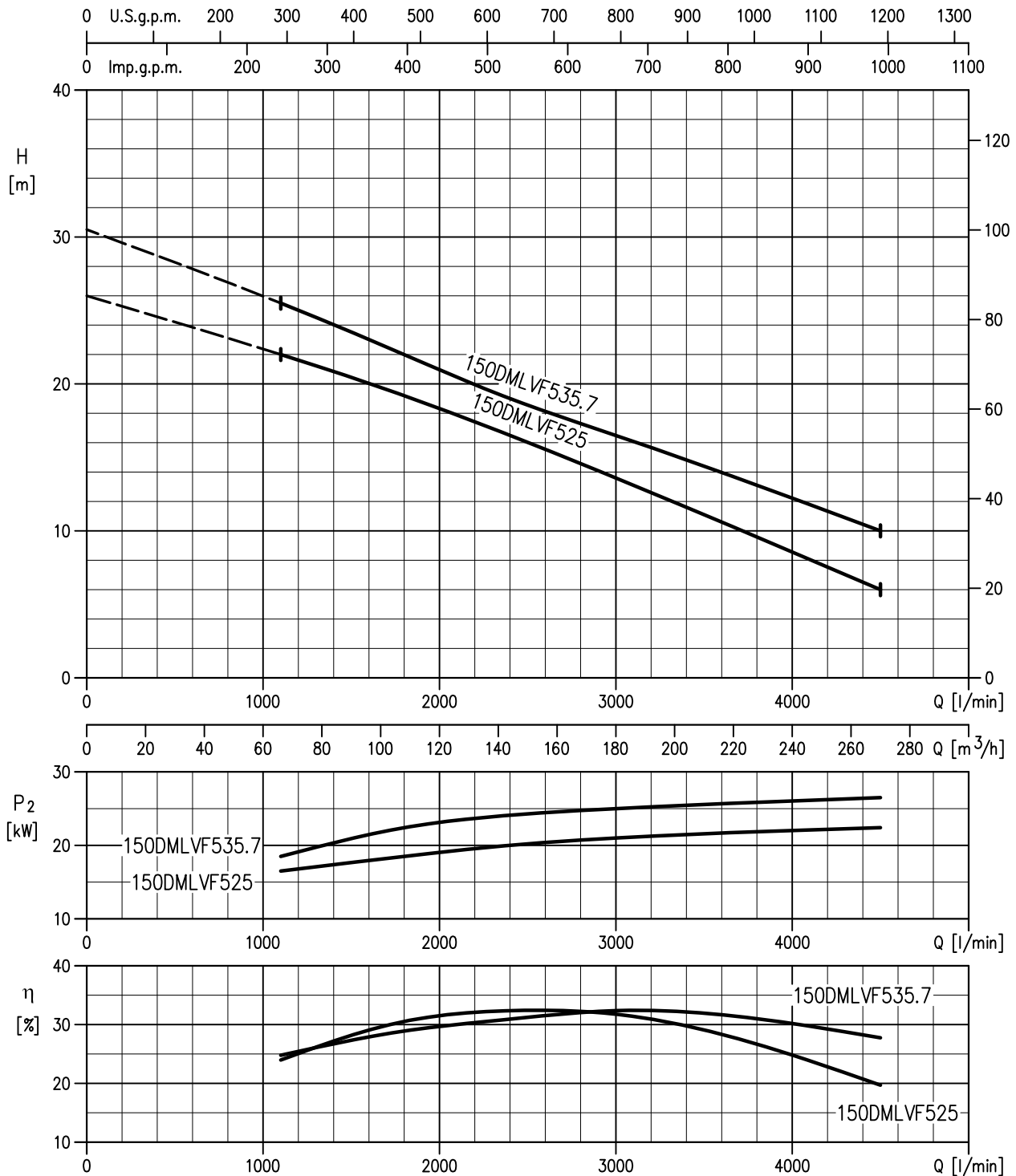
PERFORMANCE CURVE

50 Hz

Rev. B

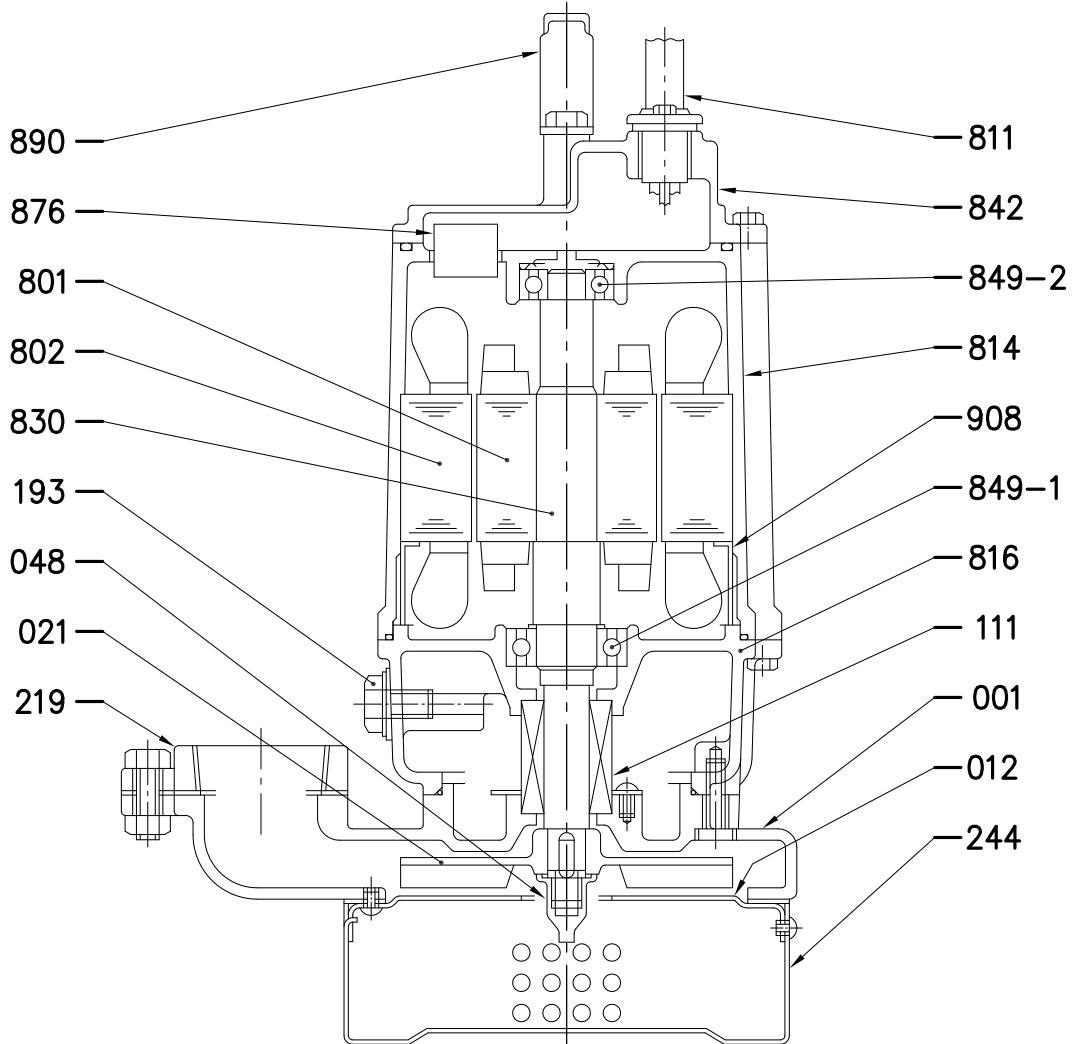


150DMLVF525 (25 kW)
150DMLVF535.7 (35.7 kW)



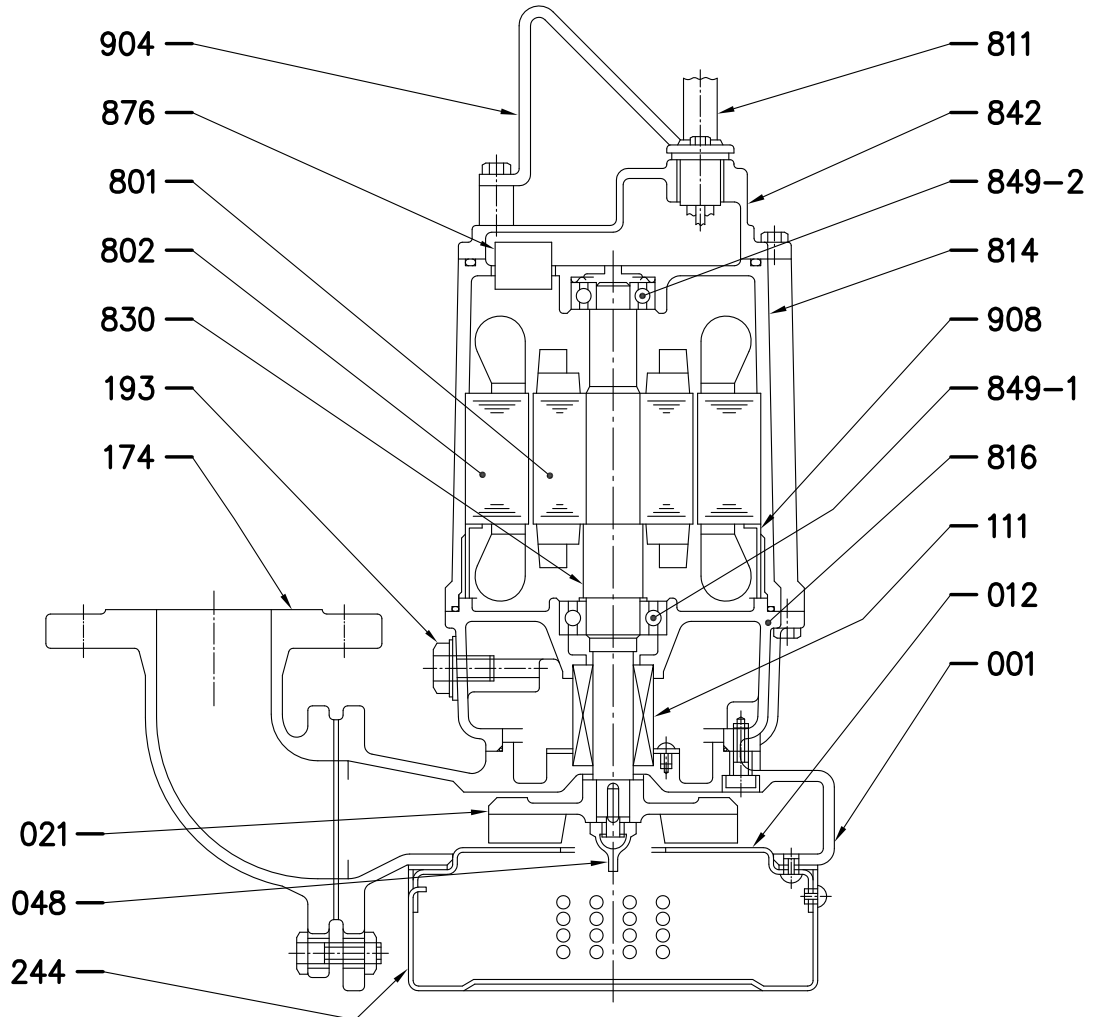
Rotation speed ≈ 1450 min⁻¹
 Test standard: ISO 9906 – Annex A

50DS (1.5kW)



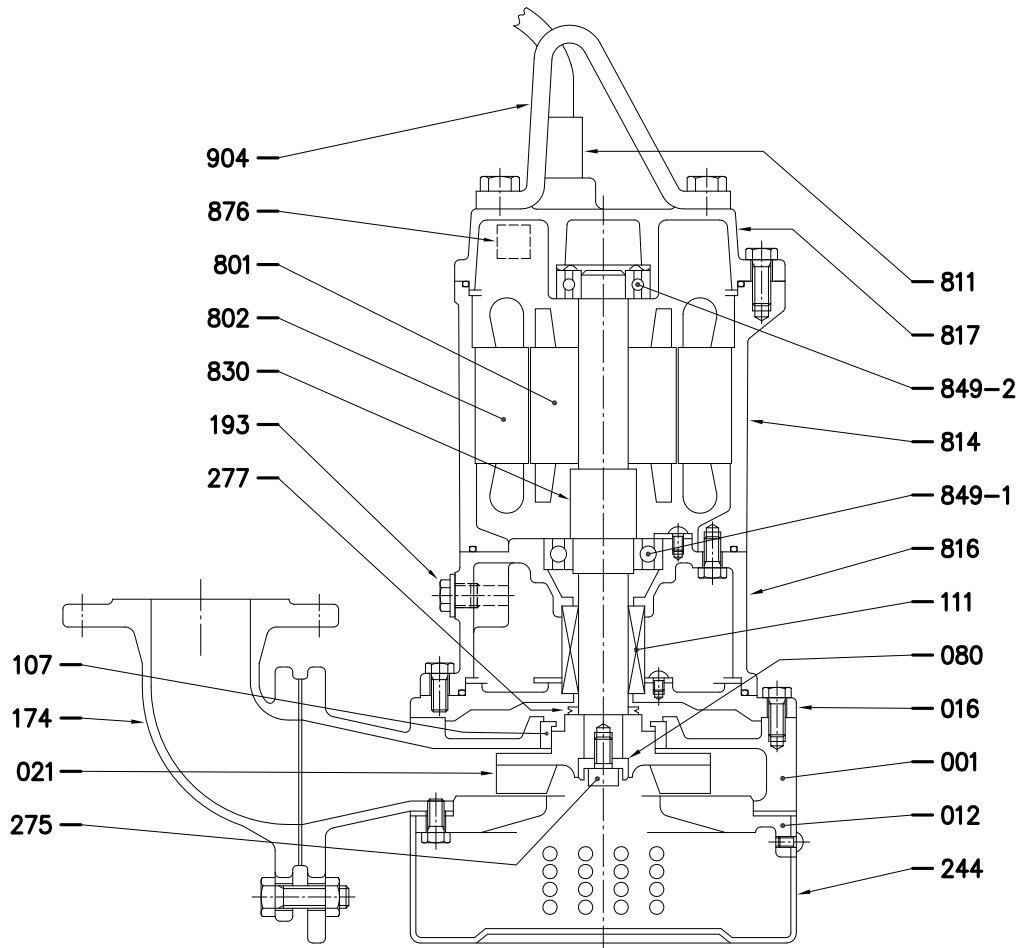
N°	PART. NAME	MATERIAL	Q.TY	N°	PART. NAME	MATERIAL	Q.TY
001	CASING	Cast iron EN-GHJL-200-EN 1561	1	811	SUBMERSIBLE CABLE	-	1
012	SUCTION COVER	EN 1.4301 (AISI304)	1	814	MOTOR FRAME	Cast iron EN-GHJL-200-EN 1561	1
021	IMPELLER	Cast iron EN-GHJL-200-EN 1561	1	816	POWER SIDE BRACKET	Cast iron EN-GHJL-200-EN 1561	1
048	IMPELLER NUT	Brass	1	830	SHAFT	EN 1.4006 (AISI403)	1
111	MECHANICAL SEAL	-	1	842	MOTOR COVER	Cast iron EN-GHJL-200-EN 1561	1
193	OIL PLUG	NBR/EN 1.4301 (AISI304)	1	849-1	BALL BEARING	-	1
219	COMPANION FLANGE	Cast iron EN-GHJL-200-EN 1561	1	849-2	BALL BEARING	-	1
244	STRAINER	EN 1.4301 (AISI304)	1	876	PROTECTOR	-	1
801	ROTOR	-	1	890	HANDLE	Stainless steel	1
802	STATOR	-	1	908	SPACER	Steel	1

65DS (1.5kW)

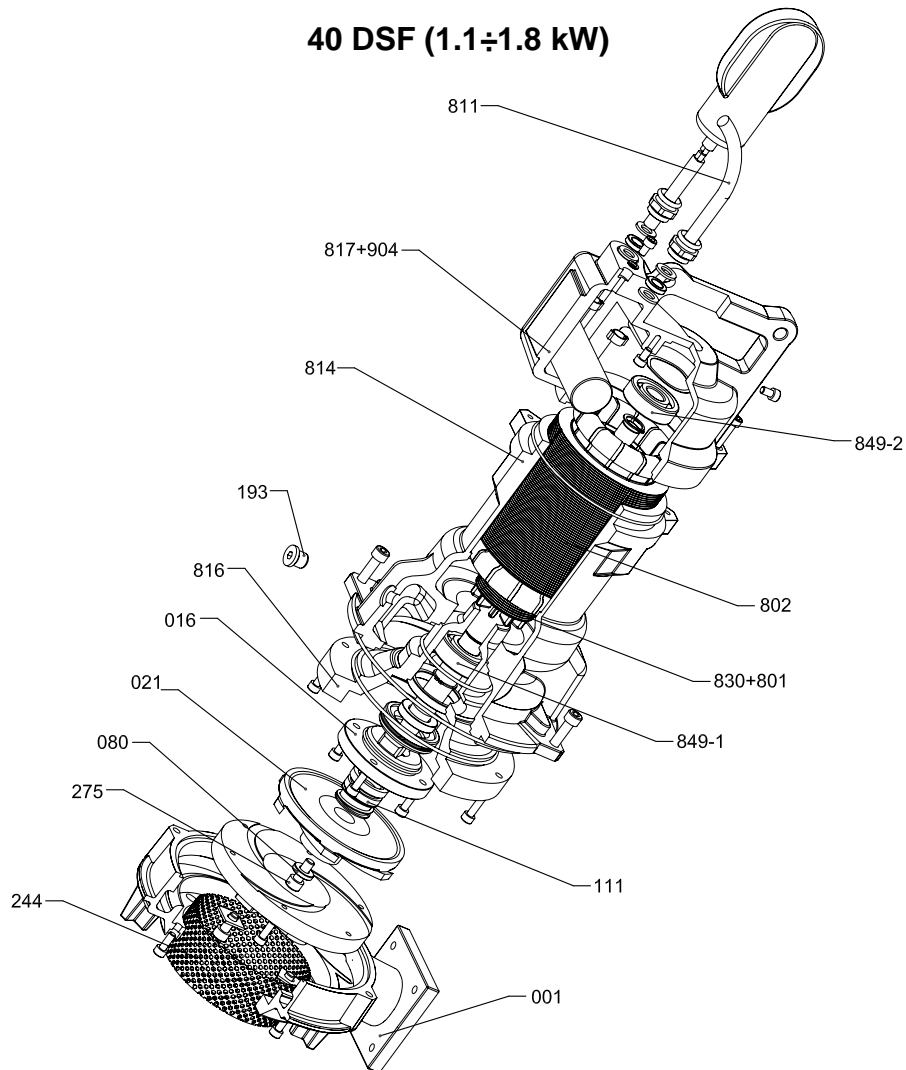


N°	PART. NAME	MATERIAL	Q.TY	N°	PART. NAME	MATERIAL	Q.TY
001	CASING	Cast iron EN-GHJL-200-EN 1561	1	811	SUBMERSIBLE CABLE	-	1
012	SUCTION COVER	EN 1.4301 (AISI304)	1	814	MOTOR FRAME	Cast iron EN-GHJL-200-EN 1561	1
021	IMPELLER	Cast iron EN-GHJL-200-EN 1561	1	816	POWER SIDE BRACKET	Cast iron EN-GHJL-200-EN 1561	1
048	IMPELLER NUT	Brass	1	830	SHAFT	EN 1.4006 (AISI403)	1
111	MECHANICAL SEAL	-	1	842	MOTOR COVER	Cast iron EN-GHJL-200-EN 1561	1
174	DISCHARGE BEND	Cast iron EN-GHJL-200-EN 1561	1	849-1	BALL BEARING	-	1
193	OIL PLUG	NBR/EN 1.4301 (AISI304)	1	849-2	BALL BEARING	-	1
244	STRAINER	EN 1.4301 (AISI304)	1	876	PROTECTOR	-	1
801	ROTOR	-	1	904	LIFTING HANGER	Stainless steel	1
802	STATOR	-	1	908	SPACER	Steel	1

50(80)DS (2.2÷3.7 kW)
100DS (5.5÷7.5 kW)

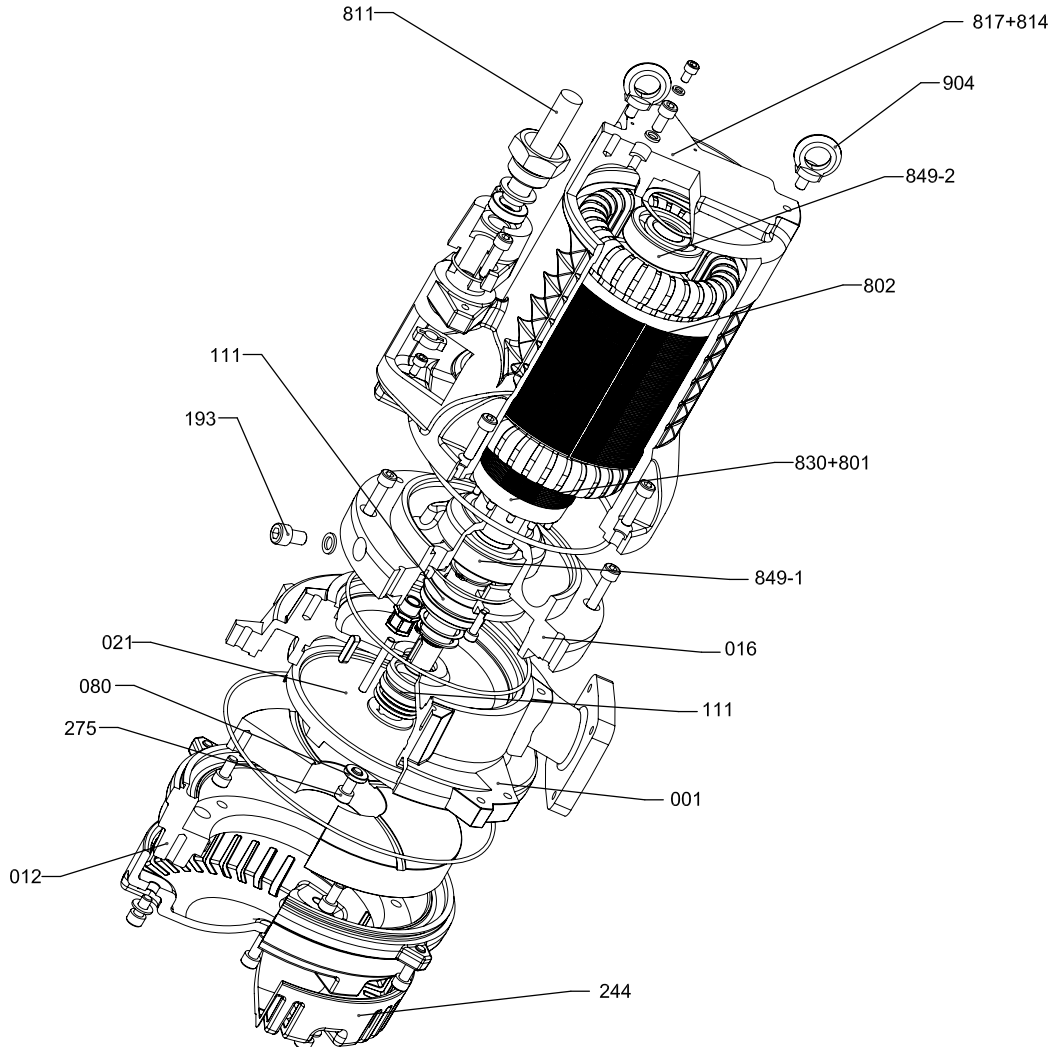


N°	PART. NAME	MATERIAL	Q.TY	N°	PART. NAME	MATERIAL	Q.TY
001	CASING	Cast iron EN-GHJL-200-EN 1561	1	801	ROTOR	-	1
012	SUCTION COVER	Cast iron EN-GHJL-200-EN 1561	1	802	STATOR	-	1
016	MECHANICAL SEAL COVER	Cast iron EN-GHJL-200-EN 1561	1	811	SUBMERSIBLE CABLE	-	1
021	IMPELLER	Cast iron EN-GHJL-200-EN 1561	1	814	MOTOR FRAME	Cast iron EN-GHJL-200-EN 1561	1
080	BUSHING	EN 1.4301 (AISI304)	1	816	POWER SIDE BRACKET	Cast iron EN-GHJL-200-EN 1561	1
107	CASING RING	Brass	1	817	MOTOR COVER	Cast iron EN-GHJL-200-EN 1561	1
111	MECHANICAL SEAL	-	1	830	SHAFT	EN 1.4006 (AISI403)	1
174	DISCHARGE BEND	Cast iron EN-GHJL-200-EN 1561	1	849-1	BALL BEARING	-	1
193	OIL PLUG	NBR/EN 1.4301 (AISI304)	1	849-2	BALL BEARING	-	1
244	STRAINER	EN 1.4301 (AISI304)	1	876	PROTECTOR	-	1
275	IMPELLER BOLT	EN 1.4301 (AISI304)	1	904	LIFTING HANGER	Stainless steel	1
277	V-RING	-	1				



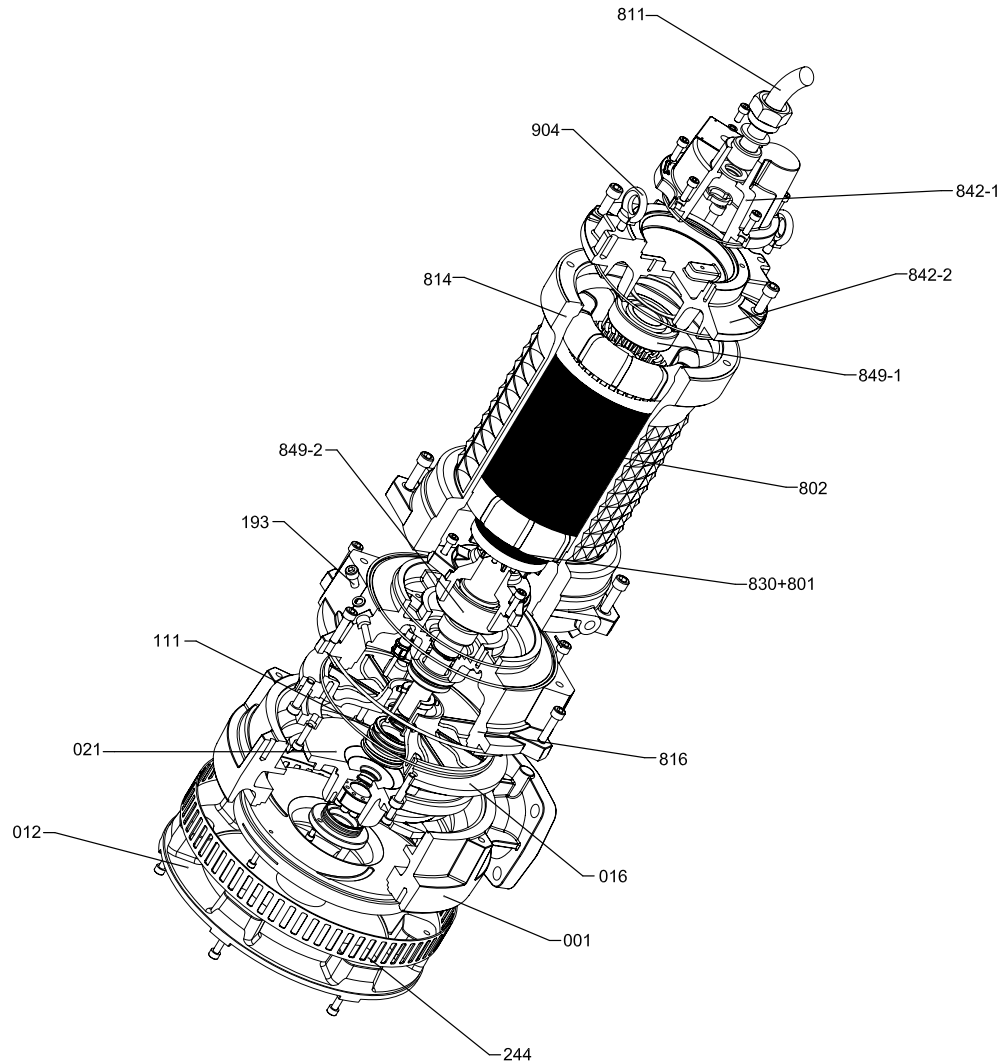
N°	PART NAME	MATERIAL	Q.TY
001	CASING	CAST IRON EN-GJL-250	1
016	MECHANICAL SEAL COVER	CAST IRON EN-GJL-250	1
021	IMPELLER	DUCTILE IRON GS400 UNI-EN1563	1
080	BUSHING	STEEL	1
111	MECHANICAL SEAL	-	1
193	OIL PLUG	NBR / STAINLESS STEEL	1
244	STRAINER	AISI 316L	1
275	IMPELLER BOLT	CLASS A2 AISI 304	1
801	ROTOR	-	1
802	STATOR	-	1
811	SUBMERSIBLE CABLE	-	1
814	MOTOR FRAME	GHISA EN-GJL-250	1
816	POWER SIDE BRACKET	GHISA EN-GJL-250	1
817	OPPOSITE SIDE BRACKET	GHISA EN-GJL-250	1
830	SHAFT	AISI 420B	1
849-1	BALL BEARING	-	1
849-2	BALL BEARING	-	1
904	LIFTING HANGER	CAST IRON EN-GJL-250	1

40 DSF (5.7 kW)



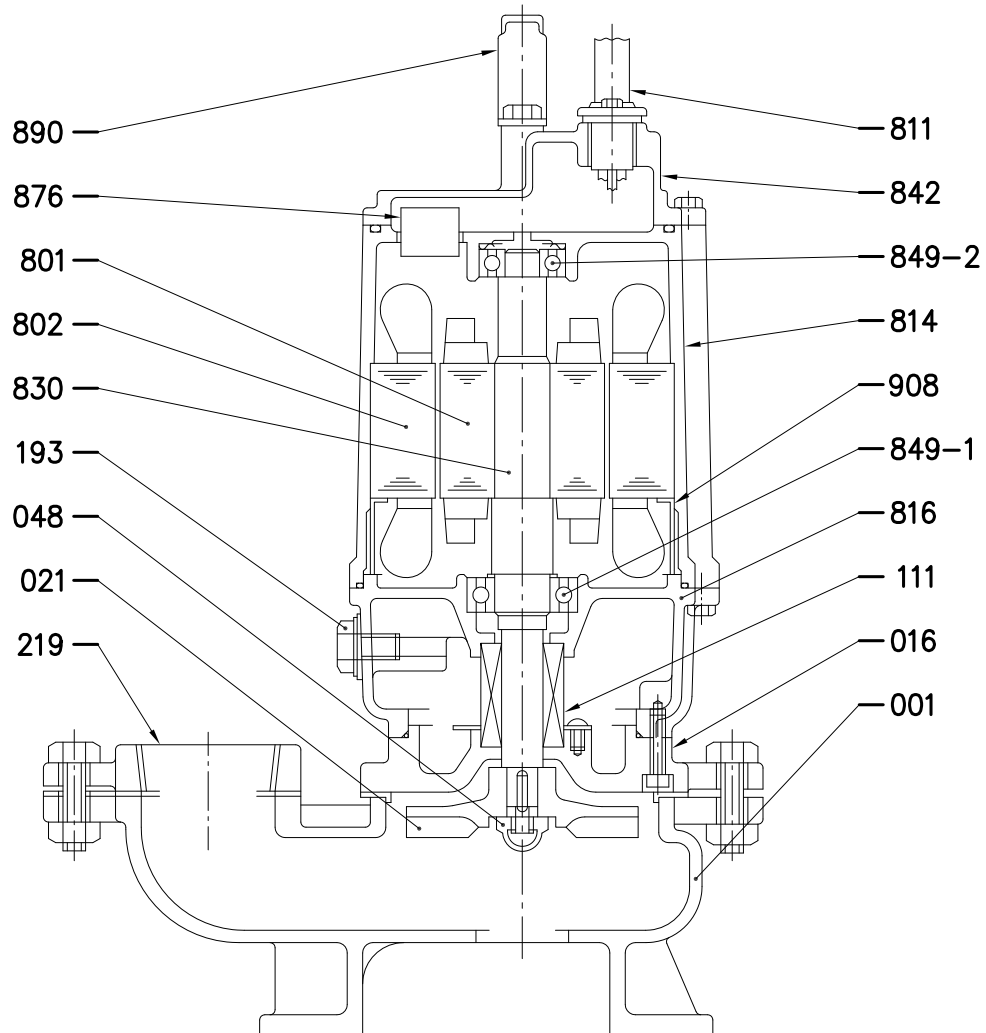
N°	PART NAME	MATERIAL	Q.TY
001	CASING	CAST IRON EN-GJL-250	1
012	SUCTION COVER	CAST IRON EN-GJL-250	1
016	MECHANICAL SEAL COVER	CAST IRON EN-GJL-250	1
021	IMPELLER	DUCTILE IRON GS400 UNI-EN1563	1
080	BUSHING	STEEL	1
111	MECHANICAL SEAL	-	2
193	OIL PLUG	NBR / STAINLESS STEEL	1
244	STRAINER	AISI 316L	1
275	IMPELLER BOLT	CLASS A2 AISI 304	1
801	ROTOR	-	1
802	STATOR	-	1
811	SUBMERSIBLE CABLE	-	1
814	MOTOR FRAME	CAST IRON EN-GJL-250	1
817	OPPOSITE SIDE BRACKET	CAST IRON EN-GJL-250	1
830	SHAFT	AISI 420B	1
849-1	BALL BEARING	-	1
849-2	BALL BEARING	-	1
904	LIFTING HANGER	STEEL	2

40 DSF (15.9 kW)



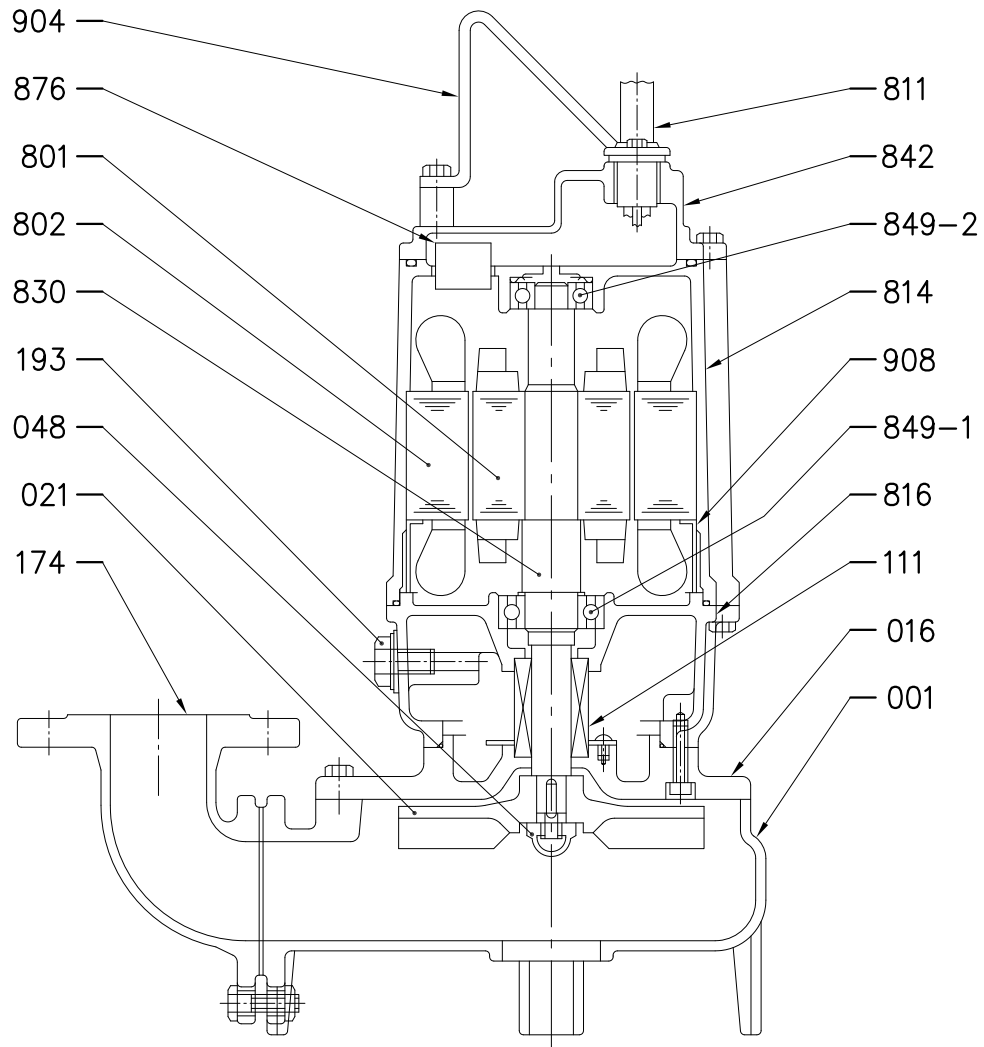
N°	PART NAME	MATERIAL	Q.TY
001	CASING	CAST IRON EN-GJL-250	1
012	SUCTION COVER	CAST IRON EN-GJL-250	1
016	MECHANICAL SEAL COVER	CAST IRON EN-GJL-250	1
021	IMPELLER	AISI 420B	1
080	BUSHING	STEEL	1
111	MECHANICAL SEAL	-	1
193	OIL PLUG	NBR / STAINLESS STEEL	1
244	STRAINER	AISI 316L	1
801	ROTOR	-	1
802	STATOR	-	1
811	SUBMERSIBLE CABLE	-	1
814	MOTOR FRAME	CAST IRON EN-GJL-250	1
830	SHAFT	AISI 420B	1
842-1	MOTOR COVER	CAST IRON EN-GJL-250	1
842-2	MOTOR COVER	CAST IRON EN-GJL-250	1
849-1	BALL BEARING	-	1
849-2	BALL BEARING	-	1
904	LIFTING HANDLE	STEEL	2

50DVS (1.5kW)



N°	PART. NAME	MATERIAL	Q.TY	N°	PART. NAME	MATERIAL	Q.TY
001	CASING	Cast iron EN-GHJL-200-EN 1561	1	814	MOTOR FRAME	Cast iron EN-GHJL-200-EN 1561	1
016	MECHANICAL SEAL COVER	Cast iron EN-GHJL-200-EN 1561	1	816	POWER SIDE BRACKET	Cast iron EN-GHJL-200-EN 1561	1
021	IMPELLER	Cast iron EN-GHJL-200-EN 1561	1	830	SHAFT	EN 1.4006 (AISI403)	1
048	IMPELLER NUT	Brass	1	842	MOTOR COVER	Cast iron EN-GHJL-200-EN 1561	1
111	MECHANICAL SEAL	-	1	849-1	BALL BEARING	-	1
193	OIL PLUG	NBR/EN 1.4301 (AISI304)	1	849-2	BALL BEARING	-	1
219	COMPANION FLANGE	Cast iron EN-GHJL-200-EN 1561	1	876	PROTECTOR	-	1
801	ROTOR	-	1	890	HANDLE	Stainless Steel	1
802	STATOR	-	1	908	SPACER	Steel	1
811	SUBMERSIBLE CABLE	-	1				

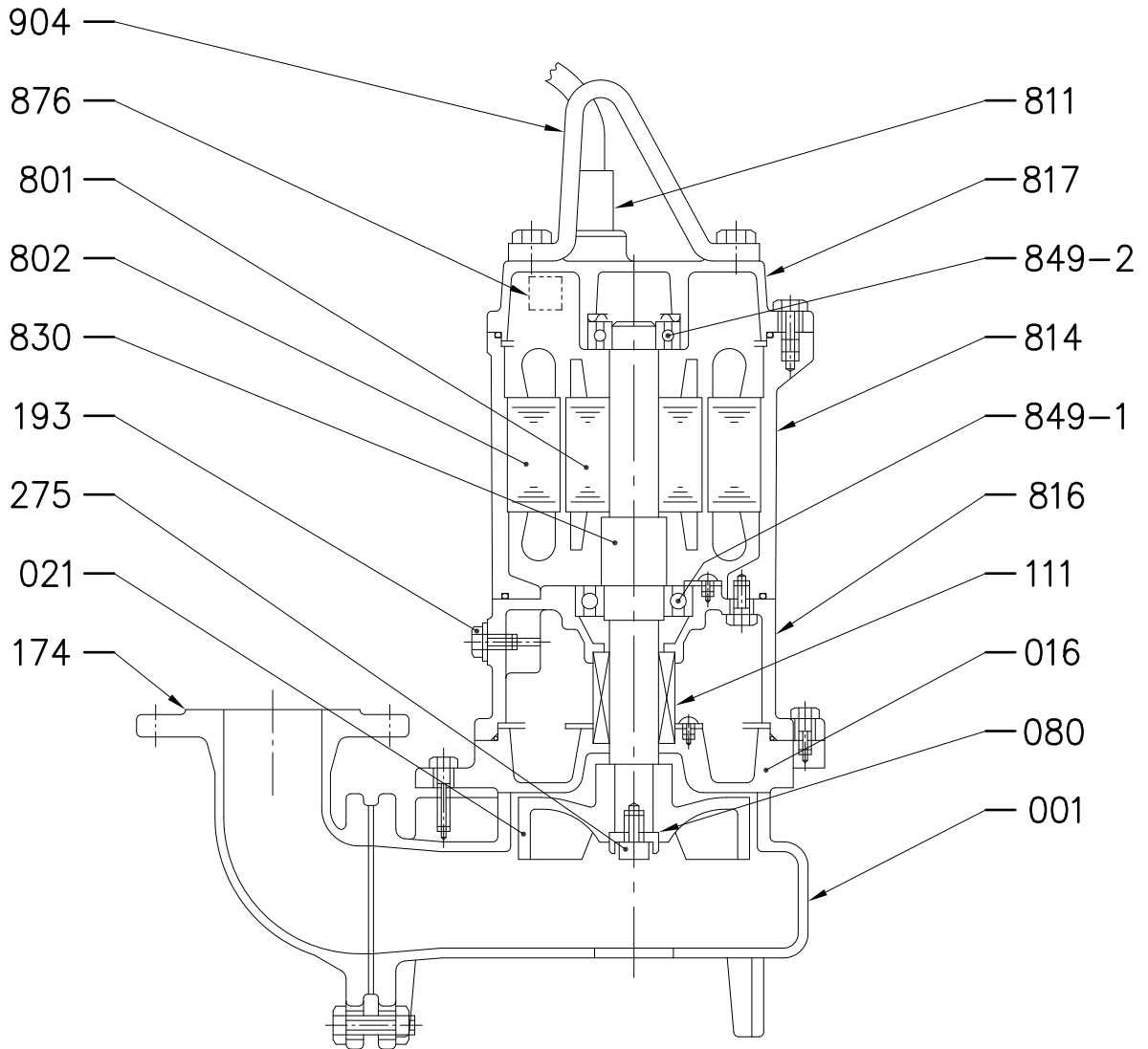
65(80)DVS (1.5kW)



POS.	PART. NAME	MATERIAL	N° FOR UNIT
001	CASING	Cast iron EN-GHJL-200-EN 1561	1
016	MECHANICAL SEAL COVER	Cast iron EN-GHJL-200-EN 1561	1
021	IMPELLER	Cast iron EN-GHJL-200-EN 1561	1
048	IMPELLER NUT	EN 1.4301 (AISI304)	1
111	MECHANICAL SEAL	-	1
174	DISCHARGE BEND	Cast iron EN-GHJL-200-EN 1561	1
193	OIL PLUG	NBR/EN 1.4301 (AISI304)	1
801	ROTOR	-	1
802	STATOR	-	1
811	SUBMERSIBLE CABLE	-	1

POS.	PART. NAME	MATERIAL	N° FOR UNIT
814	MOTOR FRAME	Cast iron EN-GHJL-200-EN 1561	1
816	POWER SIDE BRACKET	Cast iron EN-GHJL-200-EN 1561	1
830	SHAFT	EN 1.4006 (AISI403)	1
842	MOTOR COVER	Cast iron EN-GHJL-200-EN 1561	1
849-1	BALL BEARING	-	1
849-2	BALL BEARING	-	1
876	PROTECTOR	-	1
904	LIFTING HANGER	Stainless Steel	1
908	SPACER	Steel	

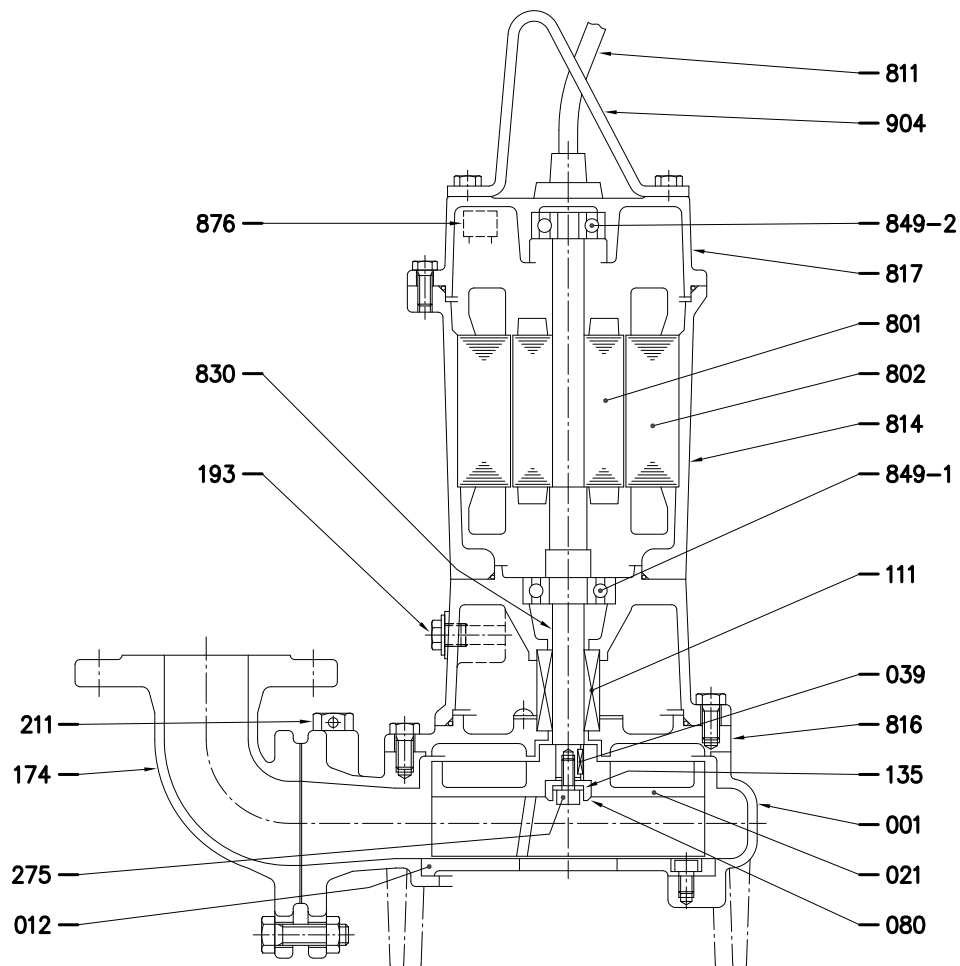
65(80)DVS (2.2÷3.7 kW)



POS.	PART. NAME	MATERIAL	N° FOR UNIT
001	CASING	Cast iron EN-GHJL-200-EN 1561	1
016	MECHANICAL SEAL COVER	Cast iron EN-GHJL-200-EN 1561	1
021	IMPELLER	Cast iron EN-GHJL-200-EN 1561	1
080	BUSHING	EN 1.4301 (AISI304)	1
111	MECHANICAL SEAL	-	1
174	DISCHARGE BEND	Cast iron EN-GHJL-200-EN 1561	1
193	OIL PLUG	NBR/EN 1.4301 (AISI304)	1
275	IMPELLER BOLT	EN 1.4301 (AISI304)	1
801	ROTOR	-	1
802	STATOR	-	1

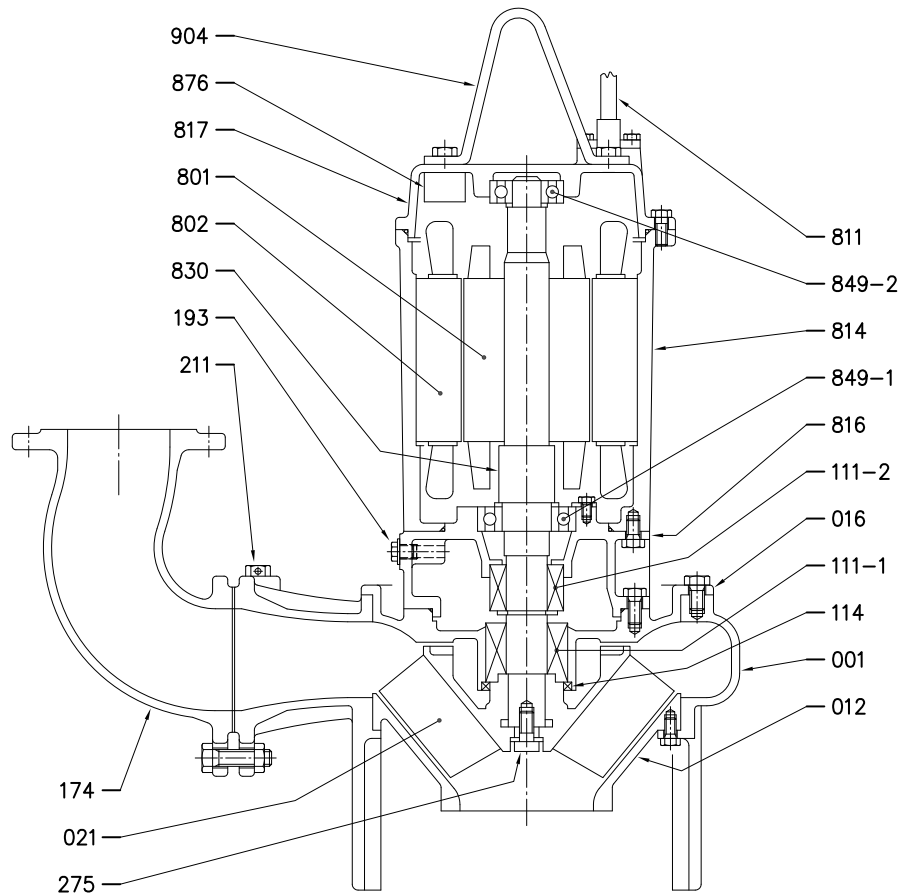
POS.	PART. NAME	MATERIAL	N° FOR UNIT
811	SUBMERSIBLE CABLE	-	1
814	MOTOR FRAME	Cast iron EN-GHJL-200-EN 1561	1
816	POWER SIDE BRACKET	Cast iron EN-GHJL-200-EN 1561	1
817	OPPOSITE SIDE BRACKET	Cast iron EN-GHJL-200-EN 1561	1
830	SHAFT	EN 1.4006 (AISI403)	1
849-1	BALL BEARING	-	1
849-2	BALL BEARING	-	1
876	PROTECTOR	-	1
904	LIFTING HANGER	Stainless Steel	1

65DL, 65DL W/C (1.5 kW)
 80DL, 80DL W/C (1.5÷3.7 kW)
 100DL, 100DL W/C (3.7 kW)



POS.	PART. NAME	MATERIAL	N° FOR UNIT	POS.	PART. NAME	MATERIAL	N° FOR UNIT
001	CASING	Cast iron EN-GHJL-200-EN 1561	1	801	ROTOR	-	1
012	SUCTION COVER	Cast iron EN-GHJL-200-EN 1561	1	802	STATOR	-	1
021	IMPELLER	Cast iron EN-GHJL-200-EN 1561	1	811	SUBMERSIBLE CABLE	-	1
039	KEY	EN 1.4028 (AISI420)	1	814	MOTOR FRAME	Cast iron EN-GHJL-200-EN 1561	1
080	BUSHING	EN 1.4301 (AISI304)	1	816	POWER SIDE BRACKET	Cast iron EN-GHJL-200-EN 1561	1
111	MECHANICAL SEAL	-	1	817	OPPOSITE SIDE BRACKET	Cast iron EN-GHJL-200-EN 1561	1
135	SEAL WASHER	EN 1.4301 (AISI304)	1	830	SHAFT	EN 1.4006 (AISI403)	1
174	DISCHARGE BEND	Cast iron EN-GHJL-200-EN 1561	1	849-1	BALL BEARING	-	1
193	Oil Plug	NBR/EN 1.4301 (AISI304)	1	849-2	BALL BEARING	-	1
211	AIRVENT VALVE	-	1	904	LIFTING HANGER	Stainless Steel	1
275	IMPELLER BOLT	EN 1.4301 (AISI304)	1				

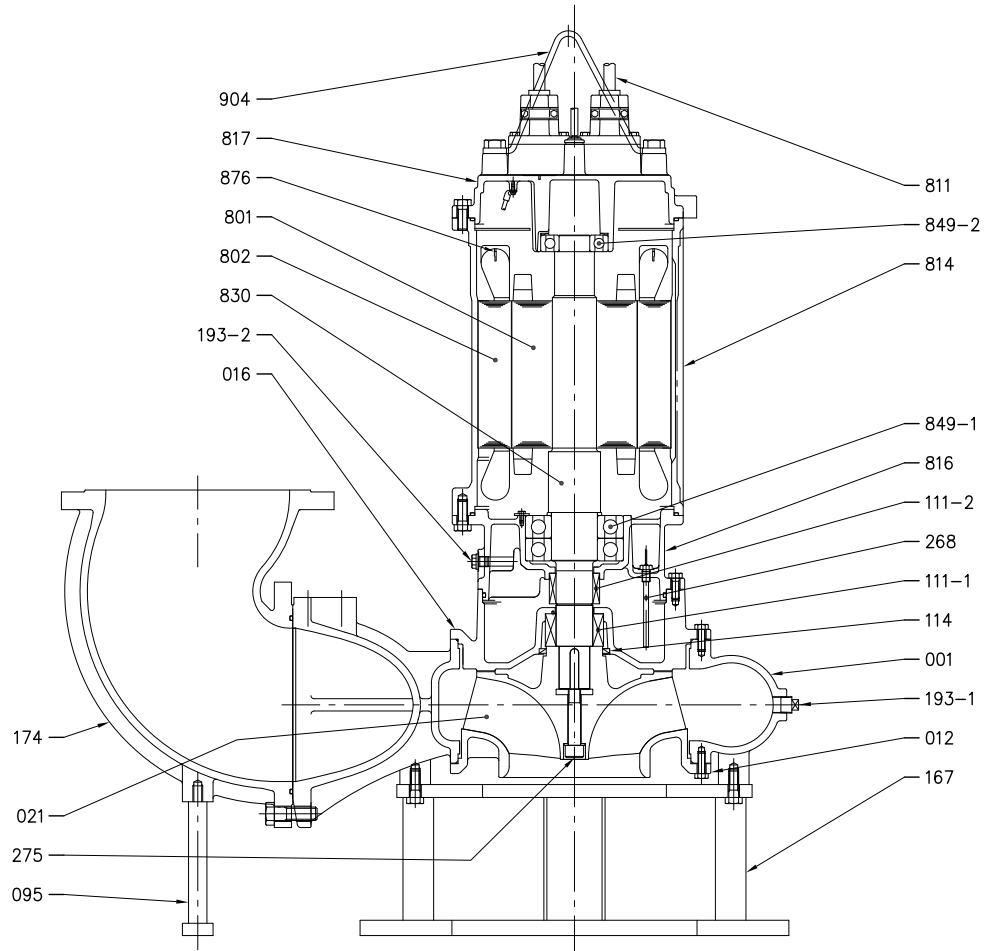
80DL (5.5÷7.5 kW)
 100DL (5.5÷18.5 kW), 100DL W/C (5.5÷7.5 kW)
 150DL (5.5÷22 kW), 200DL (5.5÷22 kW)
 250DL (7.5÷22 kW), 300DL (11÷22 kW)



POS.	PART. NAME	MATERIAL	N° FOR UNIT	POS.	PART. NAME	MATERIAL	N° FOR UNIT
001	CASING	Cast iron EN-GHJL-200-EN 1561	1	801	ROTOR	-	1
012	SUCTION COVER	Cast iron EN-GHJL-200-EN 1561	1	802	STATOR	-	1
016	MECHANICAL SEAL COVER	Cast iron EN-GHJL-200-EN 1561	1	811	SUBMERSIBLE CABLE	-	1
021	IMPELLER	Cast iron EN-GHJL-200-EN 1561	1	814	MOTOR FRAME	Cast iron EN-GHJL-150-EN 1561	1
111-1	MECHANICAL SEAL	-	1	816	POWER SIDE BRACKET	Cast iron EN-GHJL-150-EN 1561	1
111-2	MECHANICAL SEAL	-	1	817	OPPOSITE SIDE BRACKET	Cast iron EN-GHJL-150-EN 1561	1
114	OIL SEAL	NBR	1	830	SHAFT	EN 1.4006 (AISI403)	1
174	DISCHARGE BEND	Cast iron EN-GHJL-200-EN 1561	1	849-1	BALL BEARING	-	1
193	OIL PLUG	NBR/EN 1.4301 (AISI304)	1	849-2	BALL BEARING	-	1
211	AIRVENT VALVE [1]	-	1	876	PROTECTOR	-	1
275	IMPELLER BOLT	EN 1.4301 (AISI304)	1	904	LIFTING HANGER	Stainless Steel	1

[1] Not for 250DL and 300DL

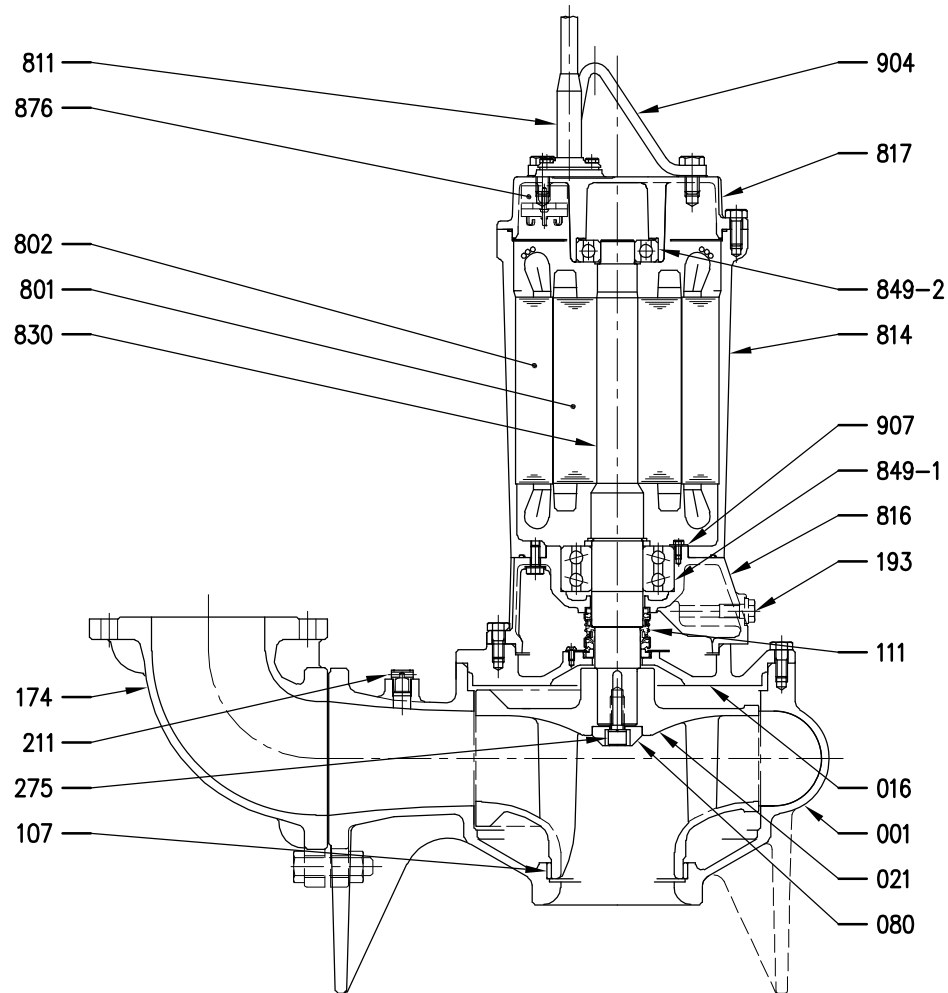
150DL (30÷45 kW), 200DL (30÷45 kW)
250DL (30÷45 kW), 300 DL(30÷45 kW)



POS.	PART. NAME	MATERIAL	N° FOR UNIT	POS.	PART. NAME	MATERIAL	N° FOR UNIT
001	CASING	Cast iron EN-GHJL-200-EN 1561	1	275	IMPELLER BOLT	EN 1.4301 (AISI304)	1
012	SUCTION COVER	Cast iron EN-GHJL-200-EN 1561	1	801	ROTOR	-	1
016	MECHANICAL SEAL COVER	Cast iron EN-GHJL-200-EN 1561	1	802	STATOR	-	1
021	IMPELLER	Cast iron EN-GHJL-200-EN 1561	1	811	SUBMERSIBLE CABLE	-	1
095	STAY [1]	EN 1.4301 (AISI304)		814	MOTOR FRAME	Cast iron EN-GHJL-150-EN 1561	1
111-1	MECHANICAL SEAL	-	1	816	POWER SIDE BRACKET	Cast iron EN-GHJL-150-EN 1561	1
111-2	MECHANICAL SEAL	-	1	817	OPPOSITE SIDE BRACKET	Cast iron EN-GHJL-150-EN 1561	1
114	OIL SEAL	NBR	1	830	SHAFT	EN 1.4006 (AISI403)	1
174	DISCHARGE BEND	Cast iron EN-GHJL-200-EN 1561	1	849-1	BALL BEARING	-	1
193-2	OIL PLUG + GASKET	NBR/EN 1.4301 (AISI304)	1	849-2	BALL BEARING	-	1
193-2	PLUG	EN 1.4301 (AISI304)	1	876	PROTECTOR	-	1
211	AIRVENT VALVE [2]	-	1	904	LIFTING HANGER	Stainless Steel	1

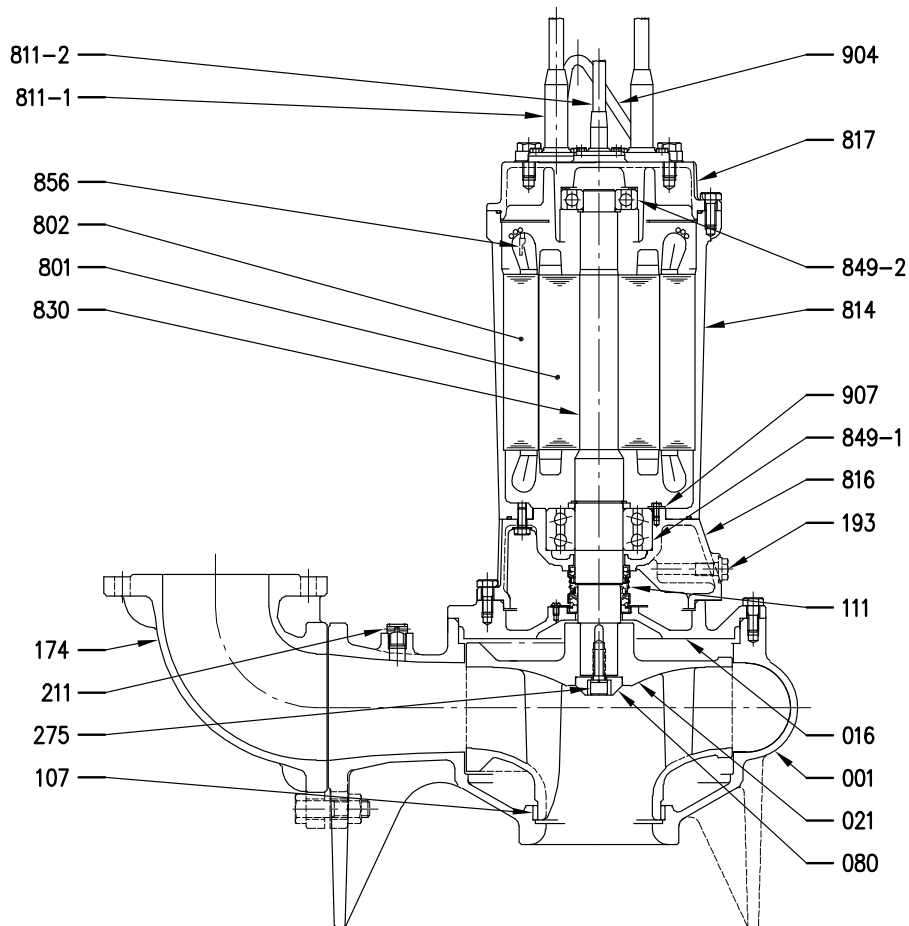
[1] Not for 150DL and 200DL
[2] Not for 250DL and 300DL

80DML (2.2 kW)



N°	PART.NAME	MATERIAL	Q.TY	N°	PART.NAME	MATERIAL	Q.TY
001	Pump Casing	Cast iron EN-GHJL-200 - EN 1561	1	802	Stator	-	1
016	Mechanical Seal Cover	Cast iron EN-GHJL-200 - EN 1561	1	811	Submersible Cable	-	2
021	Impeller	Cast iron EN-GHJL-200 - EN 1561	1	814	Motor Frame	Cast iron EN-GHJL-200 - EN 1561	1
080	Bushing	Steel	1	816	Power Side Bracket	Cast iron EN-GHJL-200 - EN 1561	1
107	Wearing ring	Bronze	1	817	Opposite Side Bracket	Cast iron EN-GHJL-200 - EN 1561	1
111	Mechanical seal	-	1	830	Shaft	EN 1.4006 (AISI403)	1
174	Discharge Bend	Cast iron EN-GHJL-200 - EN 1561	1	849-1	Ball Bearing	-	1
193	Oil Plug	NBR/Stainless Steel	1 set	849-2	Ball Bearing	-	1
211	Airvent Valve	Brass	1	876	Auto Cut	-	3
275	Impeller Bolt	Stainless steel A2-70 class ISO 3506/1	1	904	Lifting Hanger	Steel	1
801	Rotor	-	1	907	Bearing Cover	Steel	1

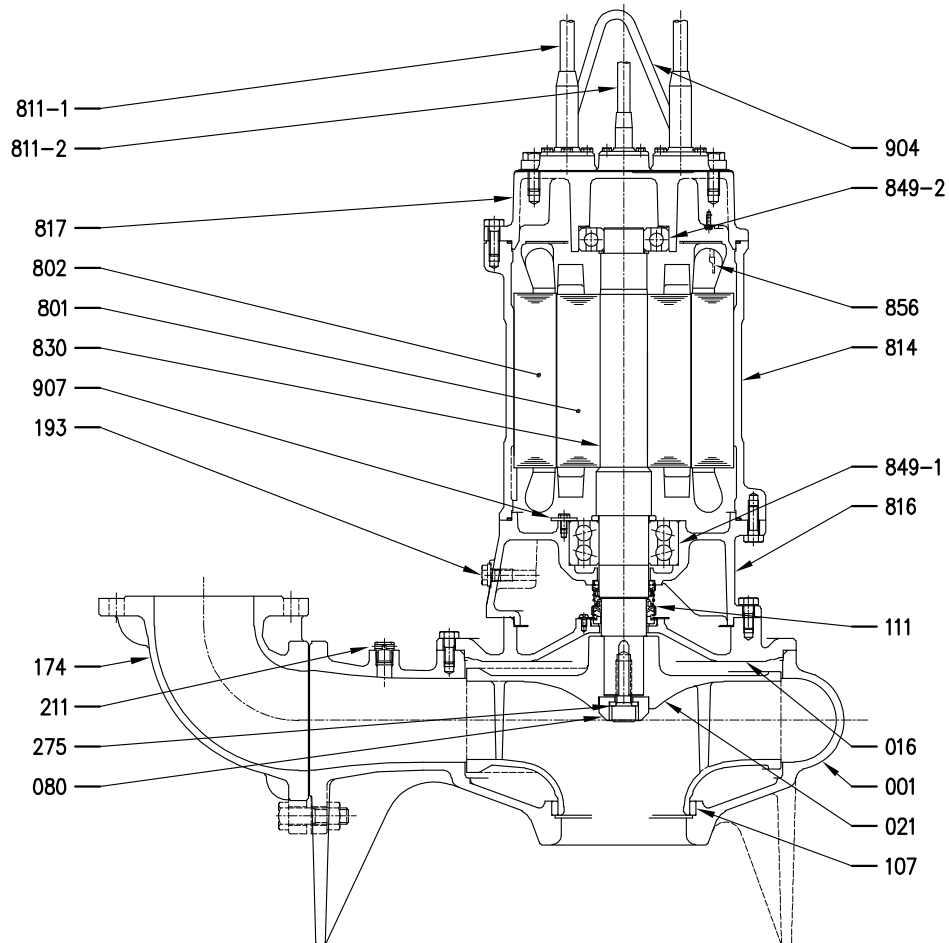
80DML (3.7 kW)
 100DML (3.7÷7.5 kW)
 150DML (5.5÷7.5 kW)



N°	PART.NAME	MATERIAL	Q.TY
001	Pump Casing	Cast iron EN-GHJL-200 - EN 1561	1
016	Mechanical Seal Cover	Cast iron EN-GHJL-200 - EN 1561	1
021	Impeller	Cast iron EN-GHJL-200 - EN 1561	1
080	Bushing	Steel	1
107	Wearing ring	Bronze	1
111	Mechanical seal	-	1
174	Discharge Bend	Cast iron EN-GHJL-200 - EN 1561	1
193	Oil Plug	NBR/Stainless Steel	1 set
211	Airvent Valve	Brass	1
275	Impeller Bolt	Stainless steel A2-70 class ISO 3506/1	1
801	Rotor	-	1
802	Stator	-	1

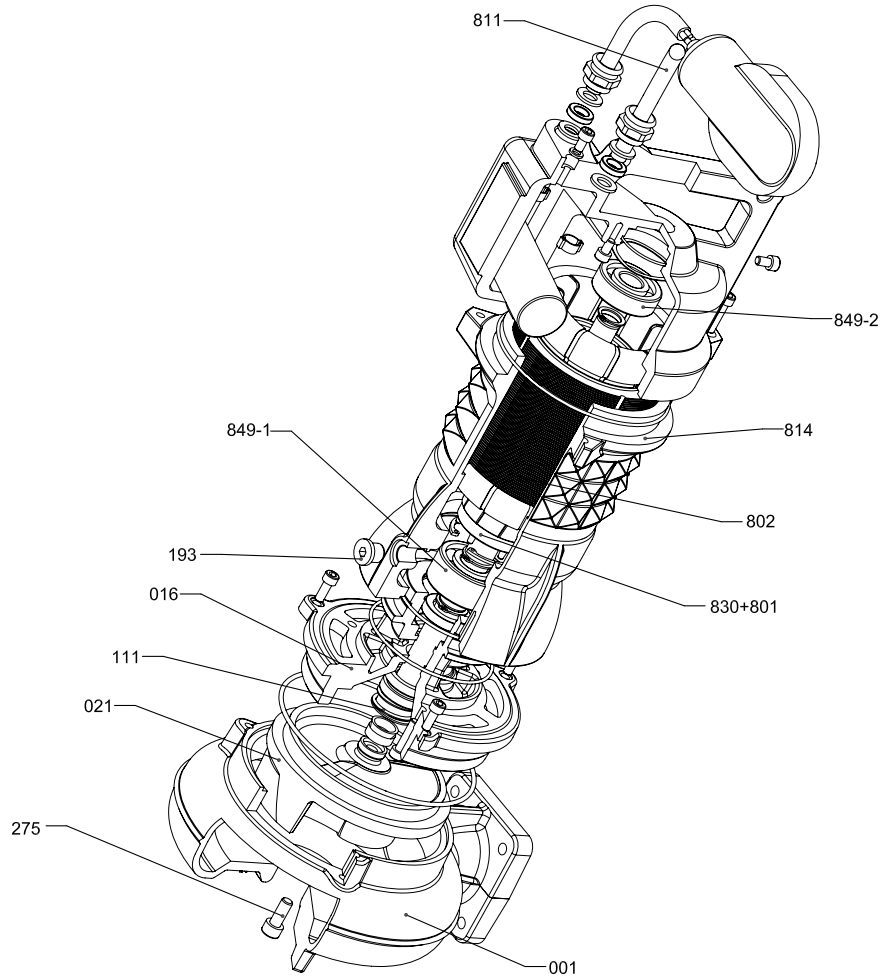
N°	PART.NAME	MATERIAL	Q.TY
811-1	Submersible Cable (power)	-	2
811-2	Submersible Cable (signal)	-	1
814	Motor Frame	Cast iron EN-GHJL-200 - EN 1561	1
816	Power Side Bracket	Cast iron EN-GHJL-200 - EN 1561	1
817	Opposite Side Bracket	Cast iron EN-GHJL-200 - EN 1561	1
830	Shaft	EN 1.4006 (AISI403)	1
849-1	Ball Bearing	-	1
849-2	Ball Bearing	-	1
856	Thermal Protector	-	3
904	Lifting Hanger	Steel	1
907	Bearing Cover	Steel	1

**100DML (11÷22 kW)
150DML (11÷22 kW)**



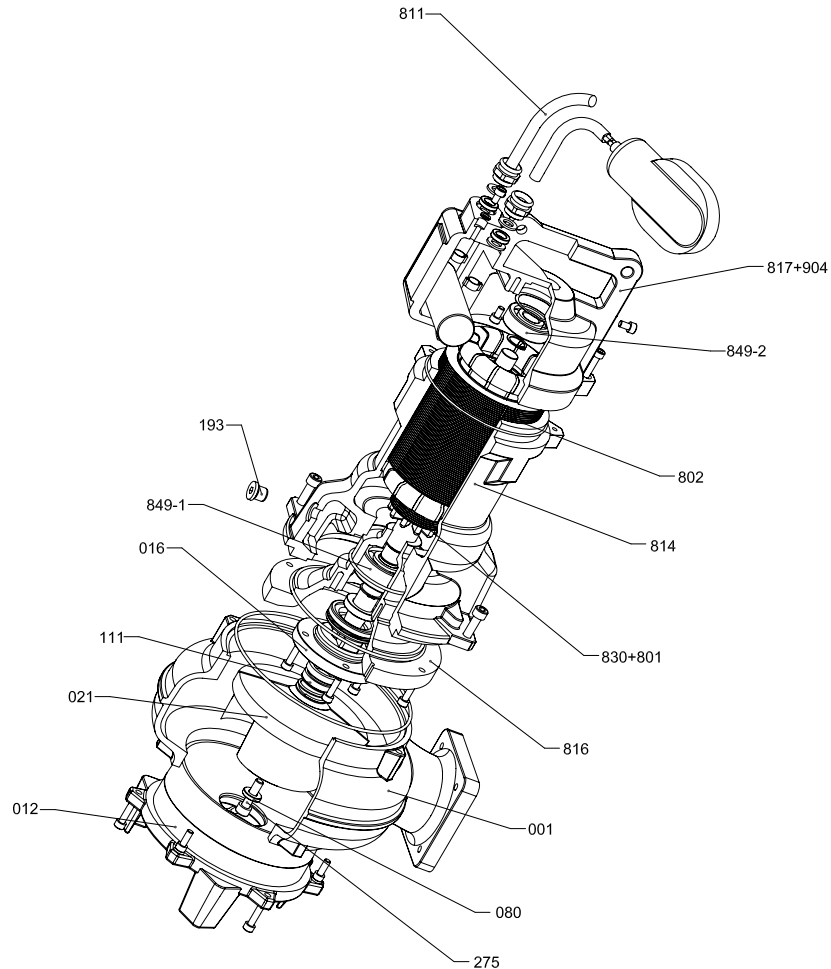
N°	PART.NAME	MATERIAL	Q.TY	N°	PART.NAME	MATERIAL	Q.TY
001	Pump Casing	Cast iron EN-GHJL-200 - EN 1561	1	811-1	Submersible Cable (power)	-	2
016	Mechanical Seal Cover	Cast iron EN-GHJL-200 - EN 1561	1	811-2	Submersible Cable (signal)	-	1
021	Impeller	Cast iron EN-GHJL-200 - EN 1561	1	814	Motor Frame	Cast iron EN-GHJL-200 - EN 1561	1
080	Bushing	Steel	1	816	Power Side Bracket	Cast iron EN-GHJL-200 - EN 1561	1
107	Wearing ring	Bronze	1	817	Opposite Side Bracket	Cast iron EN-GHJL-200 - EN 1561	1
111	Mechanical seal	-	1	830	Shaft	EN 1.4006 (AISI403)	1
174	Discharge Bend	Cast iron EN-GHJL-200 - EN 1561	1	849-1	Ball Bearing	-	1
193	Oil Plug	NBR/Stainless Steel	1 set	849-2	Ball Bearing	-	1
211	Airvent Valve	Brass	1	856	Thermal Protector	-	3
275	Impeller Bolt	Stainless steel A2-70 class ISO 3506/1	1	904	Lifting Hanger	Steel	1
801	Rotor	-	1	907	Bearing Cover	Steel	1
802	Stator	-	1				

50 DMLF (1.1 kW)



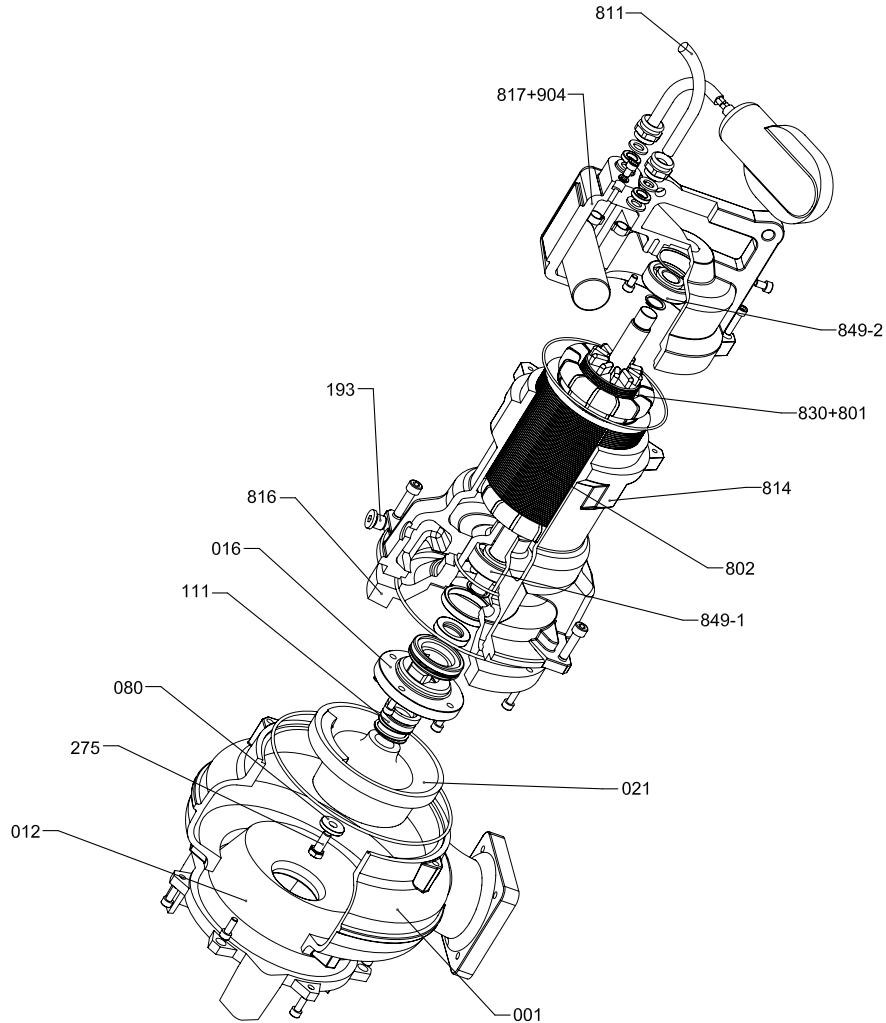
N°	PART NAME	MATERIAL	Q.TY
001	CASING	CAST IRON EN-GJL-250	1
016	MECHANICAL SEAL COVER	CAST IRON EN-GJL-250	1
021	IMPELLER	CAST IRON EN-GJL-250+Ni	1
111	MECHANICAL SEAL	-	1
193	OIL PLUG	NBR / STAINLESS STEEL	1
275	IMPELLER BOLT	CLASS A2 AISI 304	1
801	ROTOR	-	1
802	STATOR	-	1
811	SUBMERSIBLE CABLE	-	1
814	MOTOR FRAME	CAST IRON EN-GJL-250	1
830	SHAFT	AISI 420B	1
849-1	BALL BEARING	-	1
849-2	BALL BEARING	-	1
904	LIFTING HANGLE	CAST IRON EN-GJL-250	1

65 DMLF (1.8 kW)



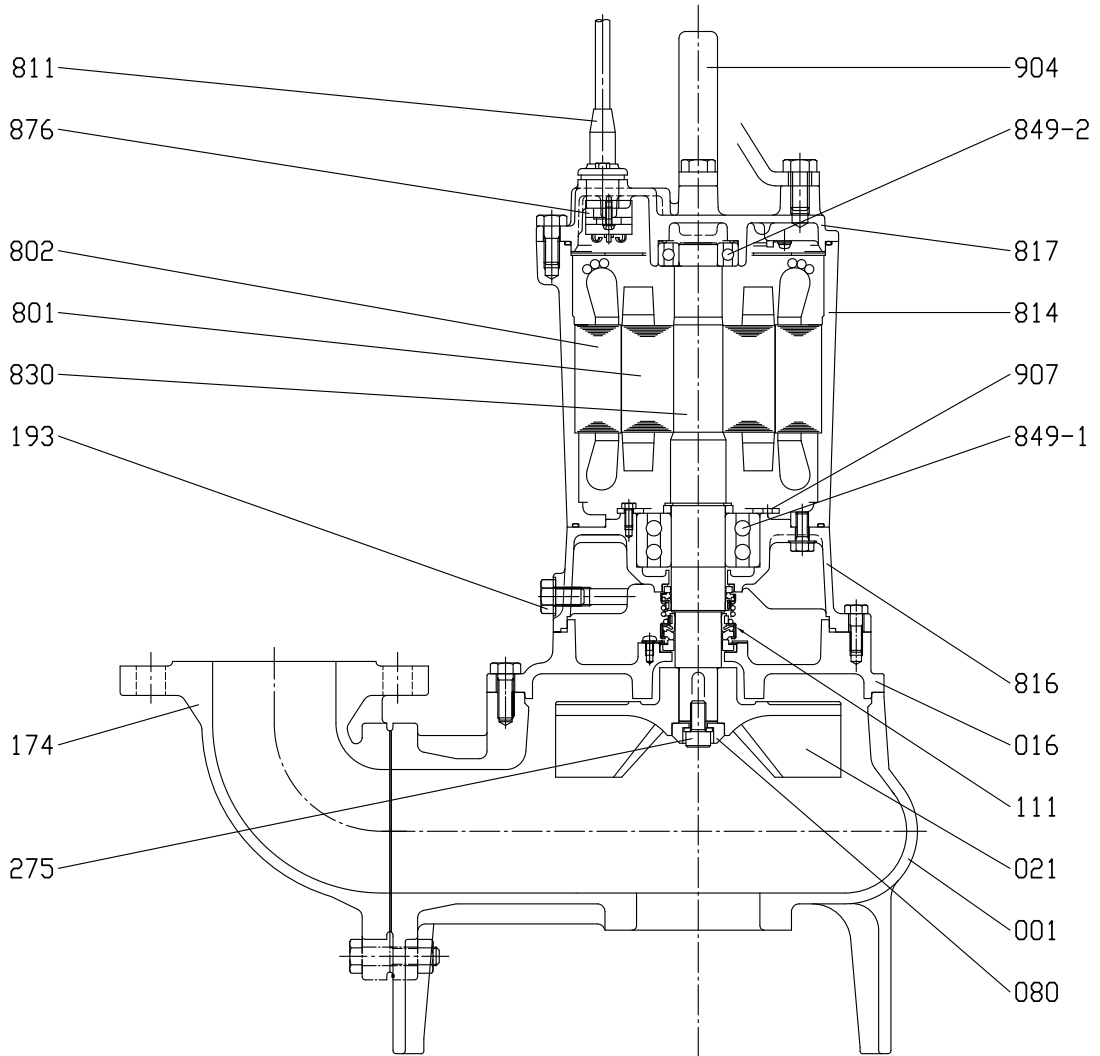
N°	PART NAME	MATERIAL	Q.TY
001	CASING	CAST IRON EN-GJL-250	1
012	SUCTION COVER	CAST IRON EN-GJL-250	1
016	MECHANICAL SEAL COVER	CAST IRON EN-GJL-250	1
021	IMPELLER	CAST IRON EN-GJL-250+Ni	1
080	BUSHING	STEEL	1
111	MECHANICAL SEAL	-	1
193	OIL PLUG	NBR / STAINLESS STEEL	1
275	IMPELLER BOLT	CLASS A2 AISI 304	1
801	ROTOR	-	1
802	STATOR	-	1
811	SUBMERSIBLE CABLE	-	1
814	MOTOR FRAME	CAST IRON EN-GJL-250	1
816	POWER SIDE BRACKET	CAST IRON EN-GJL-250	1
817	OPPOSITE SIDE BRACKET	CAST IRON EN-GJL-250	1
830	SHAFT	AISI 420B	1
849-1	BALL BEARING	-	1
849-2	BALL BEARING	-	1
904	LIFTING HANGLE	CAST IRON EN-GJL-250	1

65 DMLF (1.1 Kw)



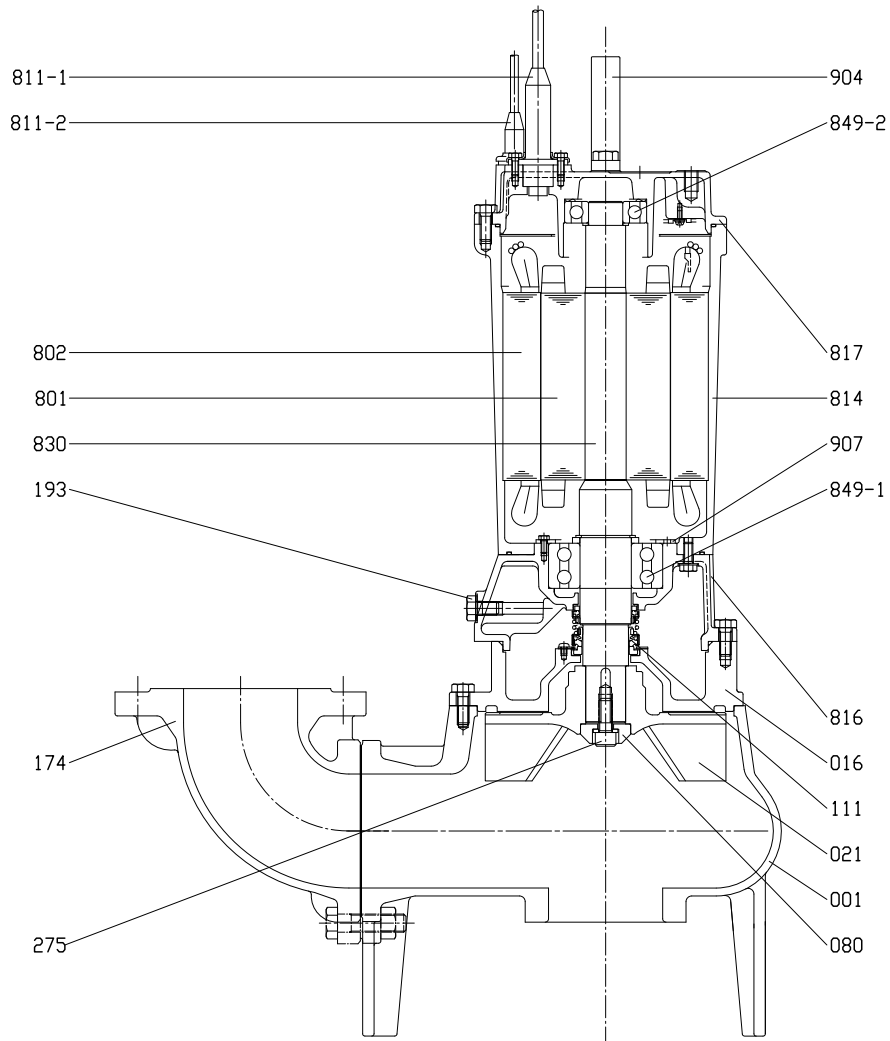
N°	PART NAME	MATERIAL	Q.TY
001	CASING	CAST IRON EN-GJL-250	1
012	SUCTION COVER	CAST IRON EN-GJL-250	1
016	MECHANICAL SEAL COVER	CAST IRON EN-GJL-250	1
021	IMPELLER	CAST IRON EN-GJL-250+Ni	1
080	BUSHING	STEEL	1
111	MECHANICAL SEAL	-	1
193	OIL PLUG	NBR / STAINLESS STEEL	1
275	IMPELLER BOLT	CLASS A2 AISI 304	1
801	ROTOR	-	1
802	STATOR	-	1
811	SUBMERSIBLE CABLE	-	1
814	MOTOR FRAME	CAST IRON EN-GJL-250	1
816	POWER SIDE BRACKET	CAST IRON EN-GJL-250	1
817	OPPOSITE SIDE BRACKET	CAST IRON EN-GJL-250	1
830	SHAFT	AISI 420B	1
849-1	BALL BEARING	-	1
849-2	BALL BEARING	-	1
904	LIFTING HANDLE	CAST IRON EN-GJL-250	1

80DMLV (2.2 kW)



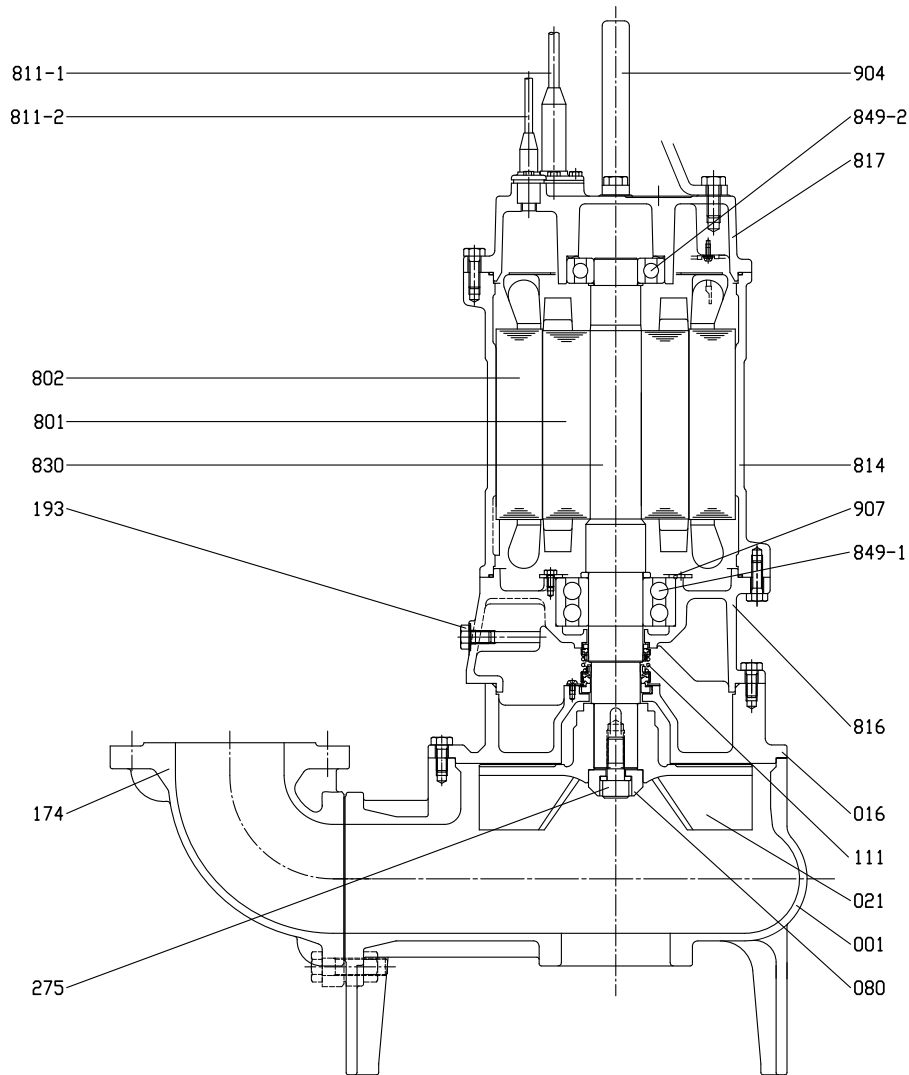
N°	PART.NAME	MATERIAL	Q.TY	N°	PART.NAME	MATERIAL	Q.TY
001	Pump Casing	Cast iron EN-GHJL-200 - EN 1561	1	811	Submersible Cable	-	2
016	Mechanical Seal Cover	Cast iron EN-GHJL-200 - EN 1561	1	814	Motor Frame	Cast iron EN-GHJL-200 - EN 1561	1
021	Impeller	Cast iron EN-GHJL-200 - EN 1561	1	816	Power Side Bracket	Cast iron EN-GHJL-200 - EN 1561	1
080	Bushing	Steel	1	817	Opposite Side Bracket	Cast iron EN-GHJL-200 - EN 1561	1
111	Mechanical seal	-	1	830	Shaft	EN 1.4006 (AISI403)	1
174	Discharge Bend	Cast iron EN-GHJL-200 - EN 1561	1	849-1	Ball Bearing	-	1
193	Oil Plug	NBR/Stainless Steel	1 set	849-2	Ball Bearing	-	1
275	Impeller screw	Stainless steel A2-70 class ISO 3506/1	1	876	Auto Cut	-	1
801	Rotor	-	1	904	Lifting Hanger	Steel	1
802	Stator	-	1	907	Bearing Cover	Steel	1

80DMLV (3.7 kW)
100DMLV (3.7÷5.5 kW)



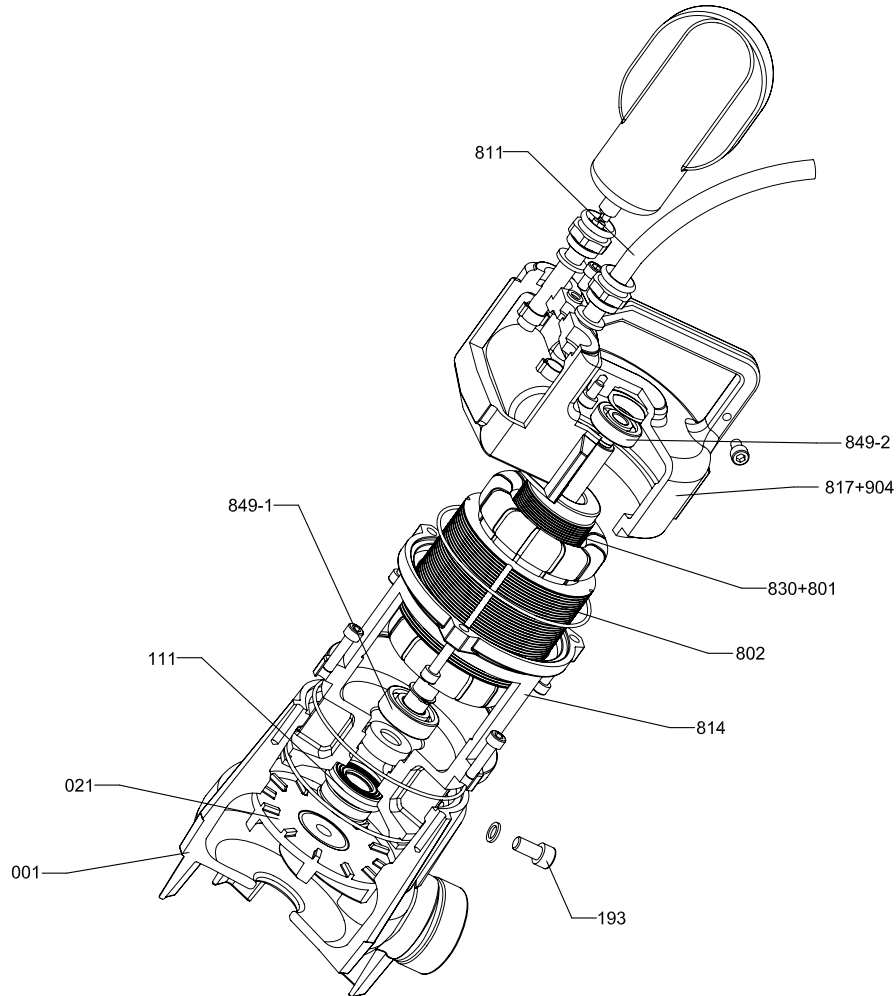
N°	PART.NAME	MATERIAL	Q.TY	N°	PART.NAME	MATERIAL	Q.TY
001	Pump Casing	Cast iron EN-GHJL-200 - EN 1561	1	811-1	Submersible Cable (power)	-	2
016	Mechanical Seal Cover	Cast iron EN-GHJL-200 - EN 1561	1	811-2	Submersible Cable (signal)	-	1
021	Impeller	Cast iron EN-GHJL-200 - EN 1561	1	814	Motor Frame	Cast iron EN-GHJL-200 - EN 1561	1
080	Bushing	Steel	1	816	Power Side Bracket	Cast iron EN-GHJL-200 - EN 1561	1
111	Mechanical seal	-	1	817	Opposite Side Bracket	Cast iron EN-GHJL-200 - EN 1561	1
174	Discharge Bend	Cast iron EN-GHJL-200 - EN 1561	1	830	Shaft	EN 1.4006 (AISI403)	1
193	Oil Plug	NBR/Stainless Steel	1 set	849-1	Ball Bearing	-	1
275	Impeller screw	Stainless steel A2-70 class ISO 3506/1	1	849-2	Ball Bearing	-	1
801	Rotor	-	1	904	Lifting Hanger	Steel	1
802	Stator	-	1	907	Bearing Cover	Steel	1

100DMLV (11÷22 kW)



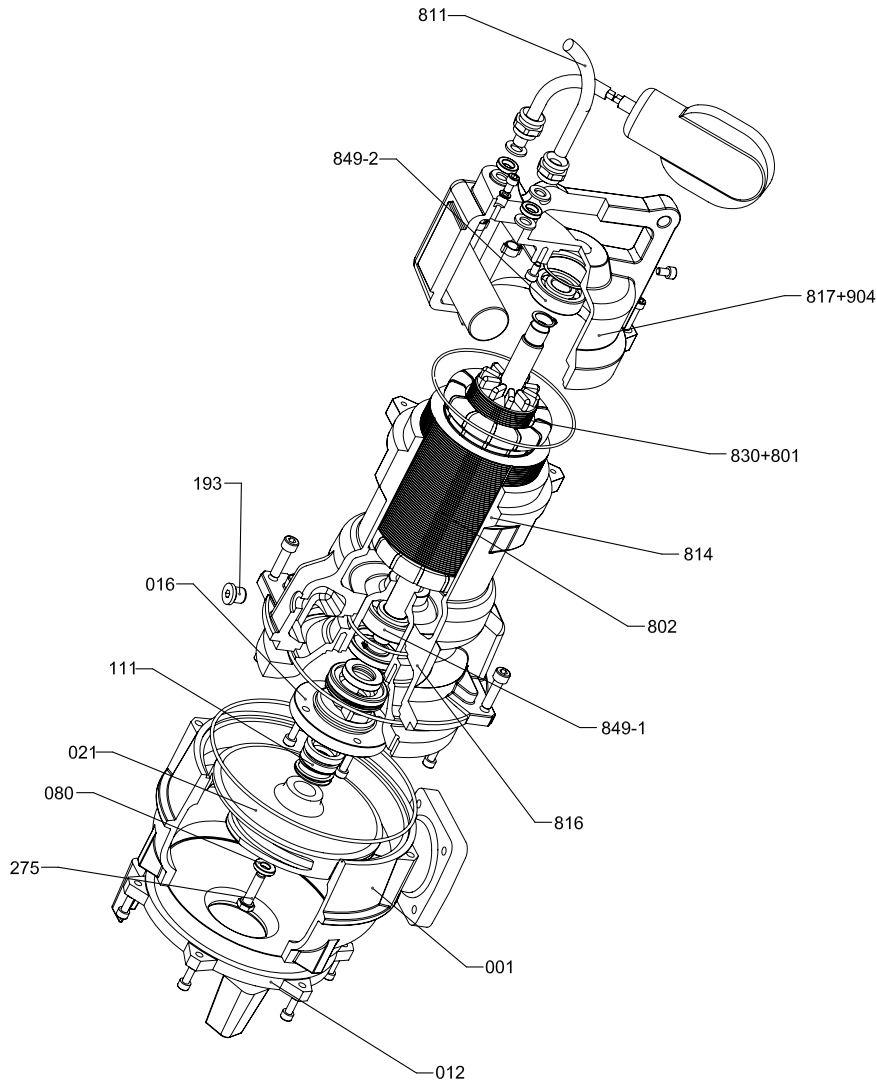
N°	PART.NAME	MATERIAL	Q.TY	N°	PART.NAME	MATERIAL	Q.TY
001	Pump Casing	Cast iron EN-GHJL-200 - EN 1561	1	811-1	Submersible Cable (power)	-	2
016	Mechanical Seal Cover	Cast iron EN-GHJL-200 - EN 1561	1	811-2	Submersible Cable (signal)	-	1
021	Impeller	EN-GHJL-200-EN 1561 (11 kW) EN-GJS-400 - EN 1563 (15-22 kW)	1	814	Motor Frame	Cast iron EN-GHJL-200 - EN 1561	1
080	Bushing	Steel	1	816	Power Side Bracket	Cast iron EN-GHJL-200 - EN 1561	1
111	Mechanical seal	-	1	817	Opposite Side Bracket	Cast iron EN-GHJL-200 - EN 1561	1
174	Discharge Bend	Cast iron EN-GHJL-200 - EN 1561	1	830	Shaft	EN 1.4006 (AISI403)	1
193	Oil Plug	NBR/Stainless Steel	1 set	849-1	Ball Bearing	-	1
275	Impeller screw	Stainless steel A2-70 class ISO 3506/1	1	849-2	Ball Bearing	-	1
801	Rotor	-	1	904	Lifting Hanger	Steel	1
802	Stator	-	1	907	Bearing Cover	Steel	1

32 DMLVF (0.5 kW)



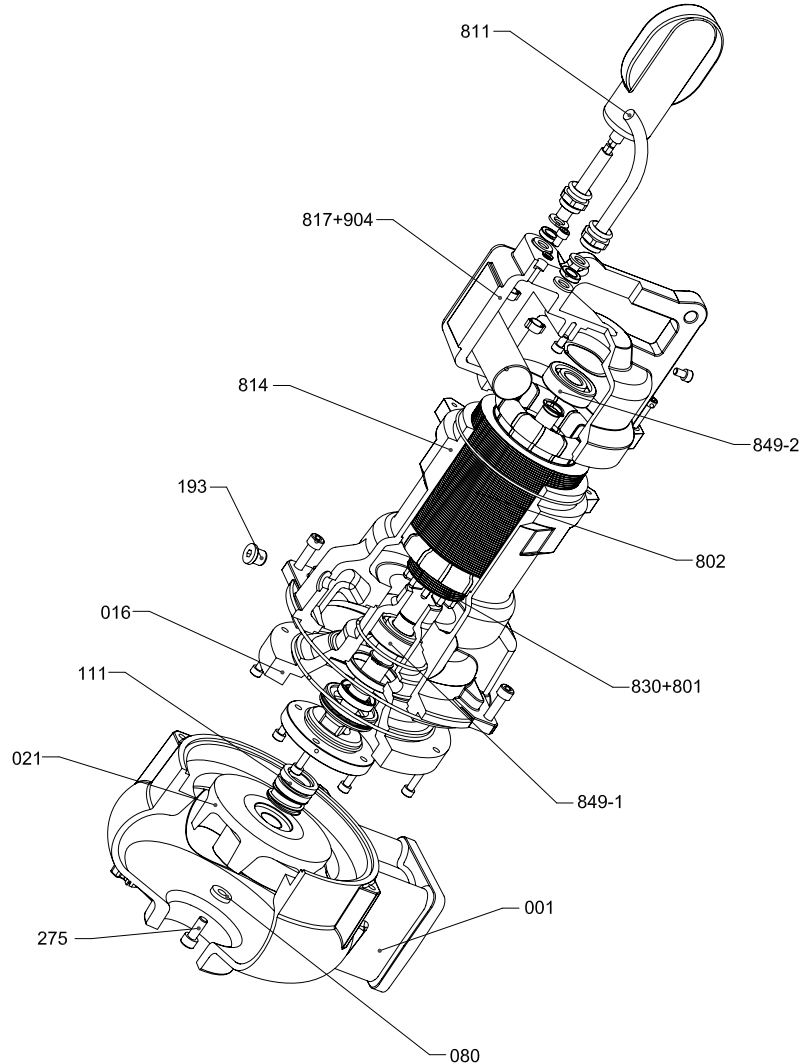
N°	PART NAME	MATERIAL	Q.TY
001	CASING	CAST IRON EN-GJL-250	1
021	IMPELLER	CAST IRON EN-GJL-250+Ni	1
111	MECHANICAL SEAL	-	1
193	OIL PLUG	NBR / STAINLESS STEEL	1
801	ROTOR	-	1
802	STATOR	-	1
811	SUBMERSIBLE CABLE	-	1
814	MOTOR FRAME	CAST IRON EN-GJL-250	1
817	OPPOSITE SIDE BRACKET	CAST IRON EN-GJL-250	1
830	SHAFT	AISI 420B	1
849-1	BALL BEARING	-	1
849-2	BALL BEARING	-	1
904	LIFTING HANGER	CAST IRON EN-GJL-250	1

50 DMLVF (1.1÷1.8 kW)



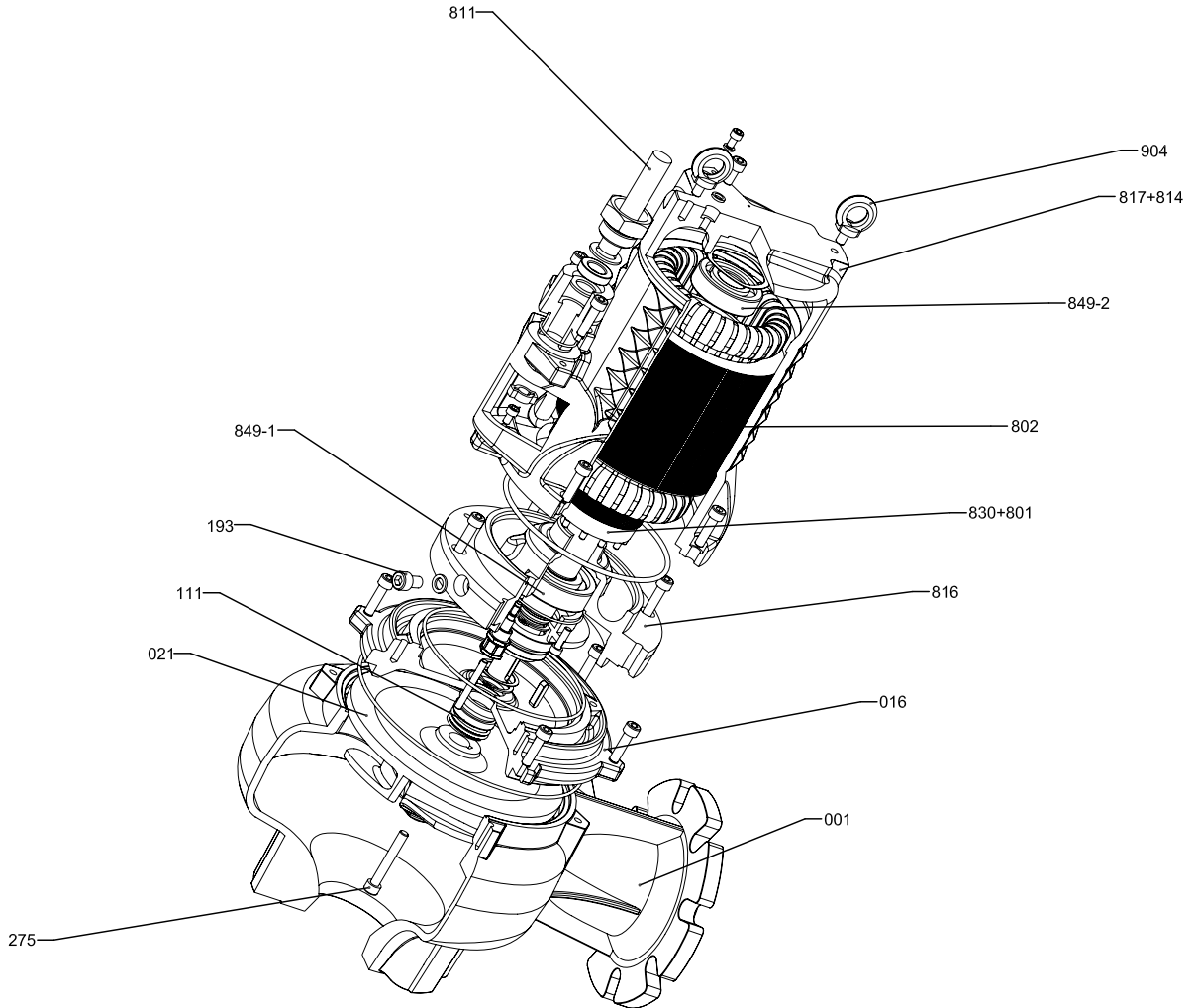
N°	PART NAME	MATERIAL	Q.TY
001	CASING	CAST IRON EN-GJL-250	1
012	SUCTION COVER	CAST IRON EN-GJL-250	1
016	MECHANICAL SEAL COVER	CAST IRON EN-GJL-250	1
021	IMPELLER	CAST IRON EN-GJL-250+Ni	1
080	BUSHING	STEEL	1
111	MECHANICAL SEAL	-	1
193	OIL PLUG	NBR / STAINLESS STEEL	1
275	IMPELLER BOLT	CLASS A2 AISI 304	1
801	ROTOR	-	1
802	STATOR	-	1
811	SUBMERSIBLE CABLE	-	1
814	MOTOR FRAME	CAST IRON EN-GJL-250	1
816	POWER SIDE BRACKET	CAST IRON EN-GJL-250	1
817	OPPOSITE SIDE BRACKET	CAST IRON EN-GJL-250	1
830	SHAFT	AISI 420B	1
849-1	BALL BEARING	-	1
849-2	BALL BEARING	-	1
904	LIFTING HANDLE	CAST IRON EN-GJL-250	1

65 DMLVF (1.9 kW)



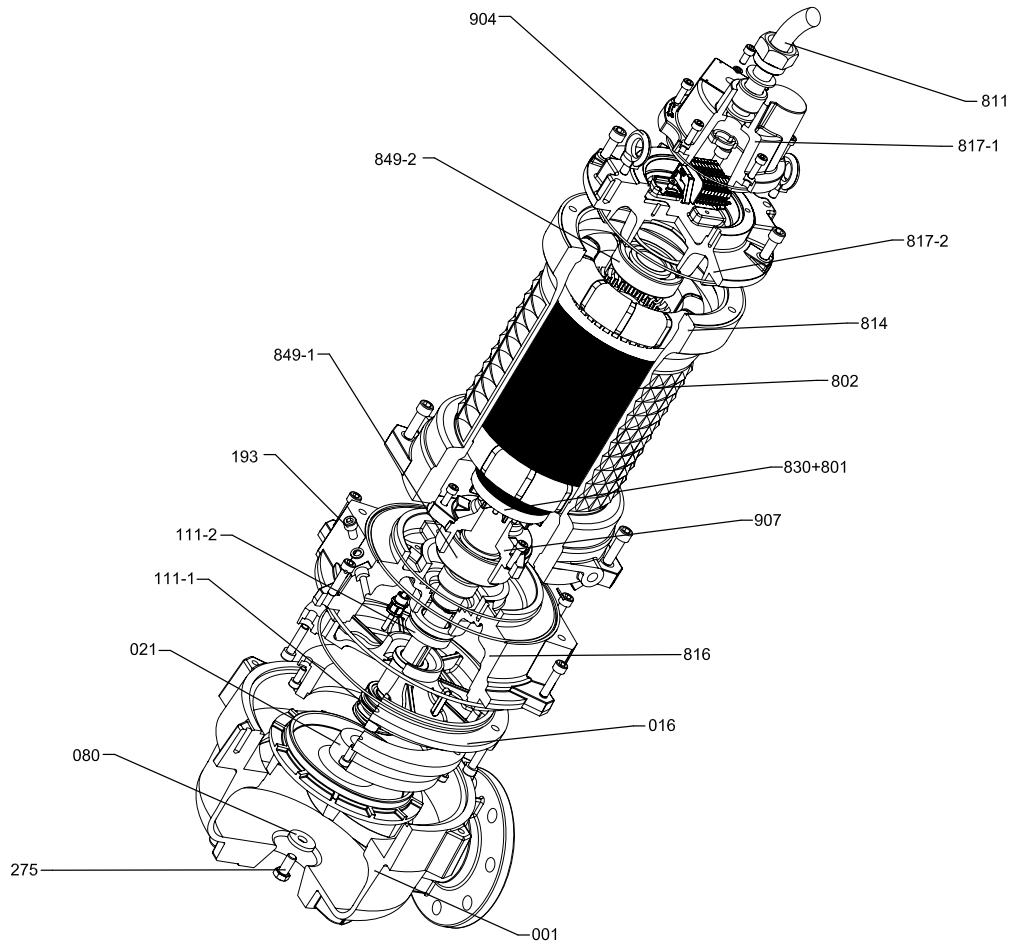
N°	PART NAME	MATERIAL	Q.TY
001	CASING	CAST IRON EN-GJL-250	1
021	IMPELLER	CAST IRON EN-GJL-250+Ni	1
016	MECHANICAL SEAL COVER	CAST IRON EN-GJL-250	1
080	BUSHING	STEEL	1
111	MECHANICAL SEAL	-	1
193	OIL PLUG	NBR / STAINLESS STEEL	1
275	IMPELLER BOLT	CLASS A2 AISI 304	1
801	ROTOR	-	1
802	STATOR	-	1
811	SUBMERSIBLE CABLE	-	1
814	MOTOR FRAME	CAST IRON EN-GJL-250	1
817	OPPOSITE SIDE BRACKET	CAST IRON EN-GJL-250	1
830	SHAFT	AISI 420B	1
849-1	BALL BEARING	-	1
849-2	BALL BEARING	-	1
904	LIFTING HANGER	CAST IRON EN-GJL-250	1

80 DMLVF (4.6 kW)



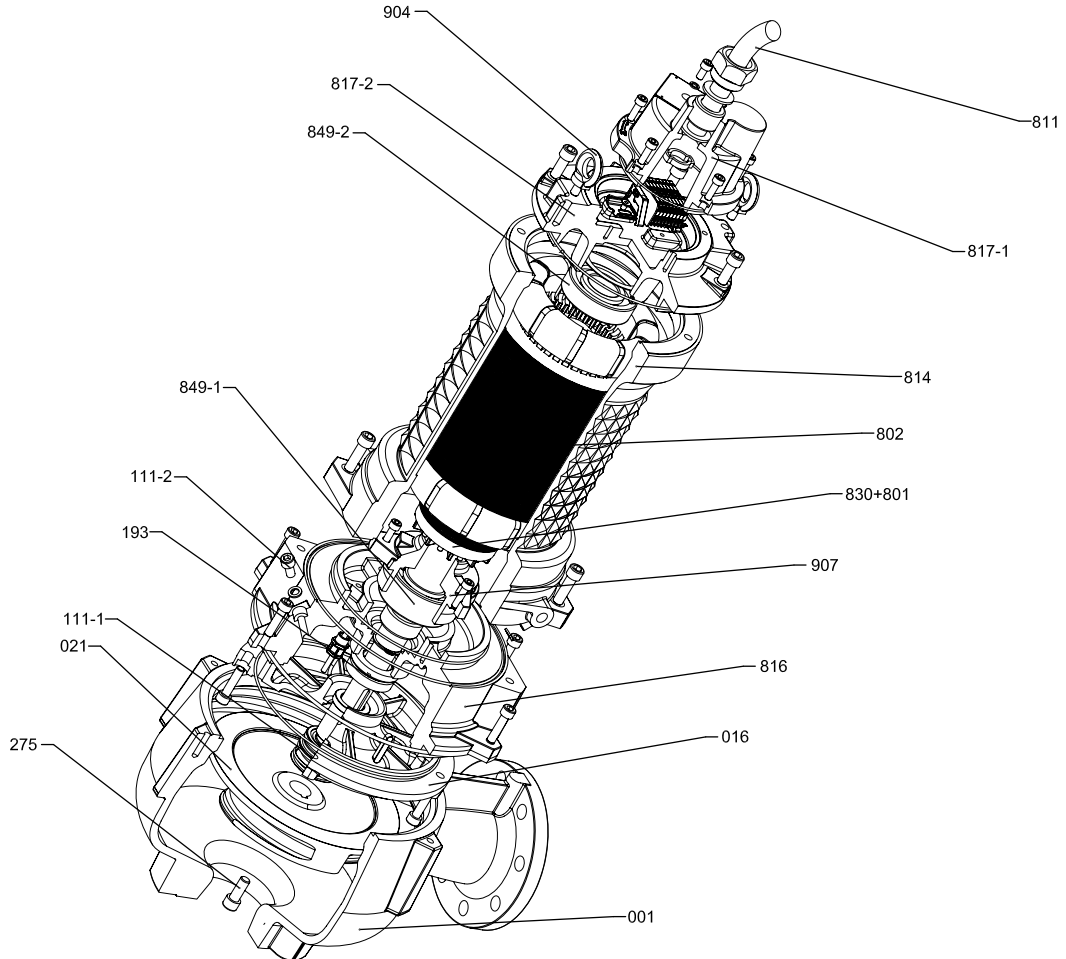
N°	PART NAME	MATERIAL	Q.TY
001	CASING	CAST IRON EN-GJL-250	1
016	MECHANICAL SEAL COVER	CAST IRON EN-GJL-250	1
021	IMPELLER	CAST IRON EN-GJL-250+Ni	1
111	MECHANICAL SEAL	-	1
193	OIL PLUG	NBR / STAINLESS STEEL	1
275	IMPELLER BOLT	CLASS A2 AISI 304	1
801	ROTOR	-	1
802	STATOR	-	1
811	SUBMERSIBLE CABLE	-	1
814	MOTOR FRAME	CAST IRON EN-GJL-250	1
816	POWER SIDE BRACKET	CAST IRON EN-GJL-250	1
817	OPPOSITE SIDE BRACKET	CAST IRON EN-GJL-250	1
830	SHAFT	AISI 420B	1
849-1	BALL BEARING	-	1
849-2	BALL BEARING	-	1
904	LIFTING HANGER	STEEL	2

80 DMLVF (18.2 kW)

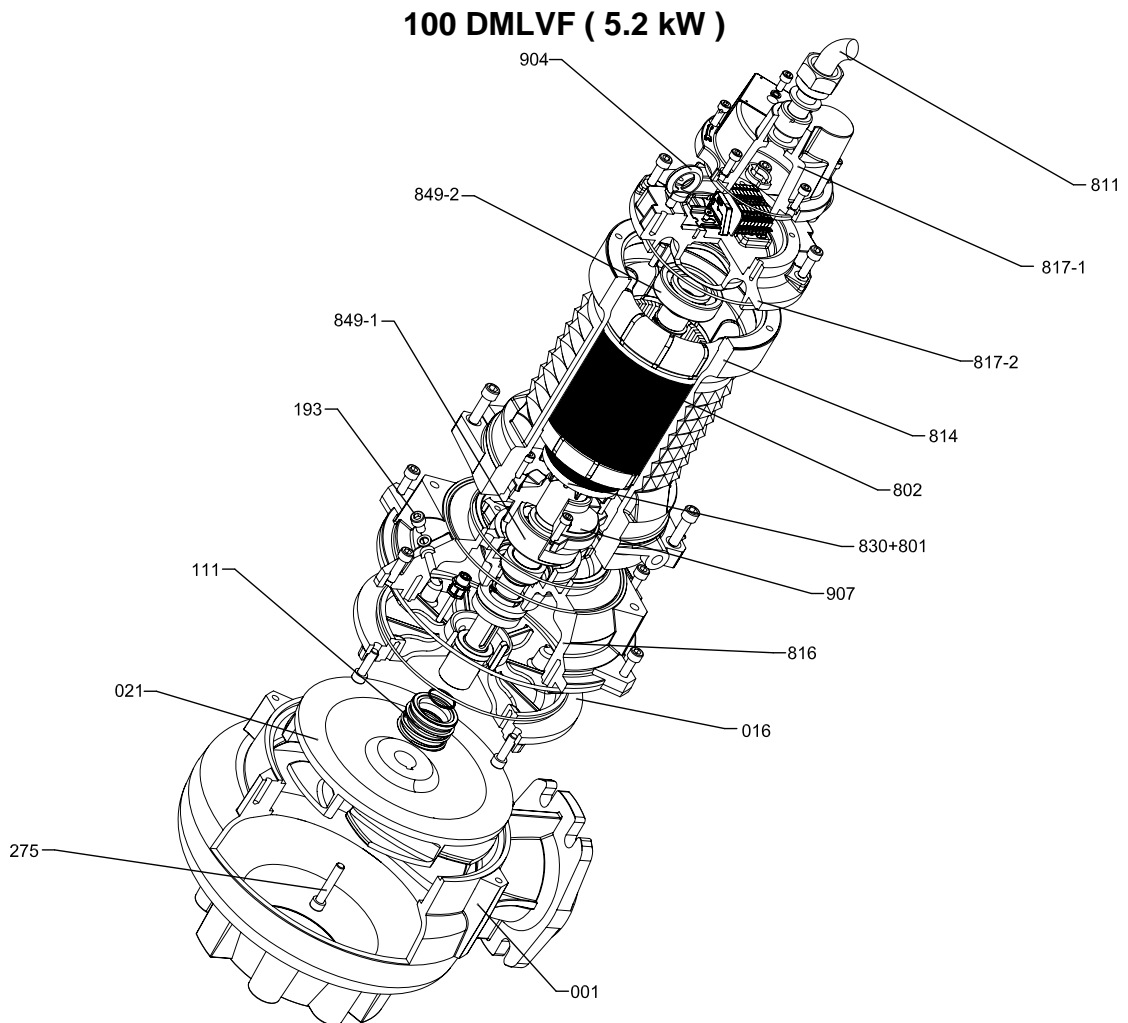


N°	PART NAME	MATERIAL	Q.TY	N°	PART NAME	MATERIAL	Q.TY
001	CASING	CAST IRON EN-GJL-250	1	811	SUBMERSIBLE CABLE	-	1
016	MECHANICAL SEAL COVER	CAST IRON EN-GJL-250	1	814	MOTOR FRAME	CAST IRON EN-GJL-250	1
021	IMPELLER	CAST IRON EN-GJL-250+Ni	1	816	POWER SIDE BRACKET	CAST IRON EN-GJL-250	1
080	BUSHING	STEEL	1	817-1	OPPOSITE SIDE BRACKET	CAST IRON EN-GJL-250	1
111-1	MECHANICAL SEAL	-	1	817-2	OPPOSITE SIDE BRACKET	CAST IRON EN-GJL-250	1
111-2	MECHANICAL SEAL	-	1	830	SHAFT	AISI 420B	1
193	OIL PLUG	NBR / STAINLESS STEEL	1	849-1	BALL BEARING	-	1
275	IMPELLER BOLT	CLASS A2 AISI 304	1	849-2	BALL BEARING	-	1
801	ROTOR	-	1	904	LIFTING HANGER	STEEL	2
802	STATOR	-	1	907	BEARING COVER	CAST IRON EN-GJL-250	1

80 DMLVF (18.2 kW)

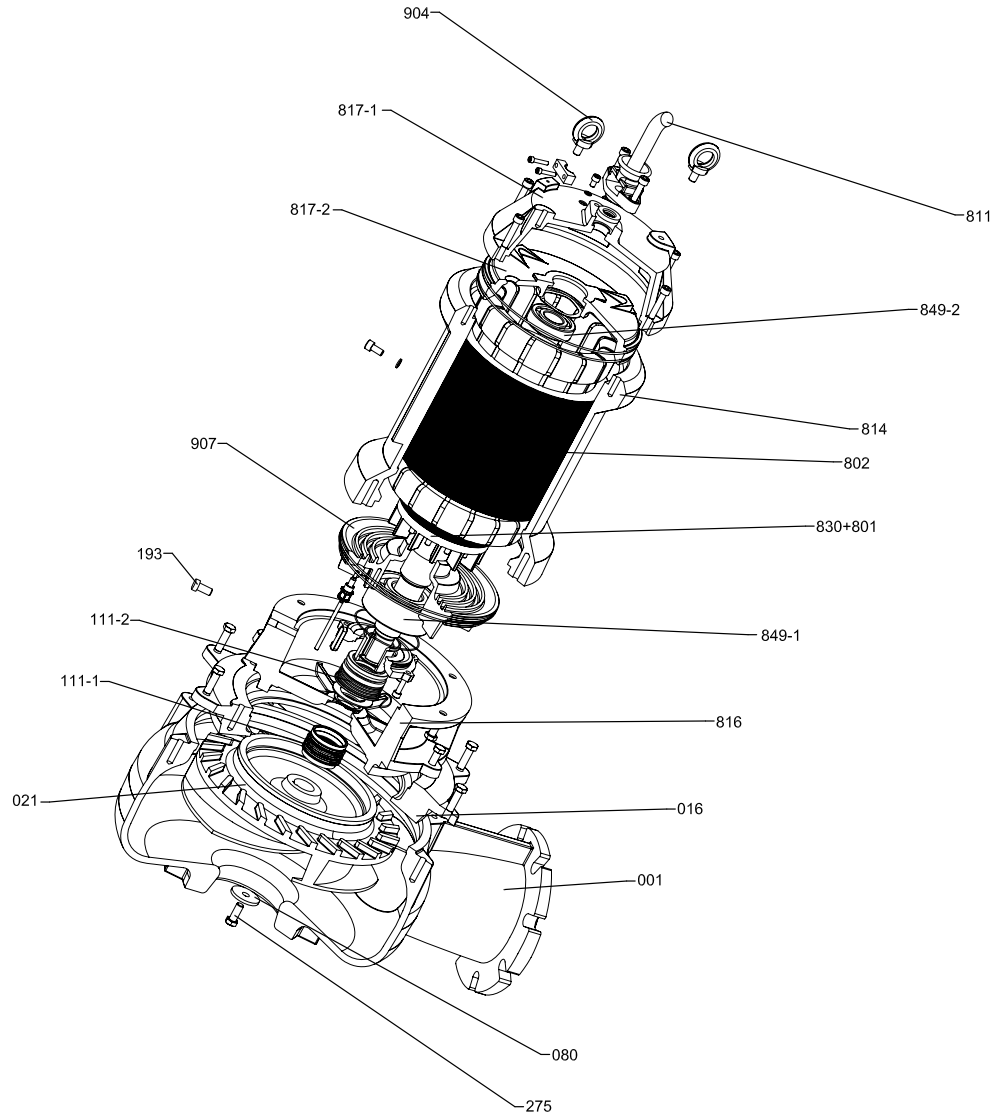


N°	PART NAME	MATERIAL	Q.TY	N°	PART NAME	MATERIAL	Q.TY
001	CASING	CAST IRON EN-GJL-250	1	814	MOTOR FRAME	CAST IRON EN-GJL-250	1
016	MECHANICAL SEAL COVER	CAST IRON EN-GJL-250	1	816	POWER SIDE BRACKET	CAST IRON EN-GJL-250	1
021	IMPELLER	CAST IRON EN-GJL-250+Ni	1	817-1	OPPOSITE SIDE BRACKER	CAST IRON EN-GJL-250	1
111-1	MECHANICAL SEAL	-	1	817-2	OPPOSITE SIDE BRACKER	CAST IRON EN-GJL-250	1
111-2	MECHANICAL SEAL	-	1	830	SHAFT	AISI 420B	1
193	OIL PLUG	NBR / STAINLESS STEEL	1	849-1	BALL BEARING	-	1
275	IMPELLER BOLT	CLASS A2 AISI 304	1	849-2	BALL BEARING	-	1
801	ROTOR	-	1	904	LIFTING HANGER	STEEL	2
802	STATOR	-	1	907	BEARING COVER	CAST IRON EN-GJL-250	1
811	SUBMERSIBLE CABLE	-	1				



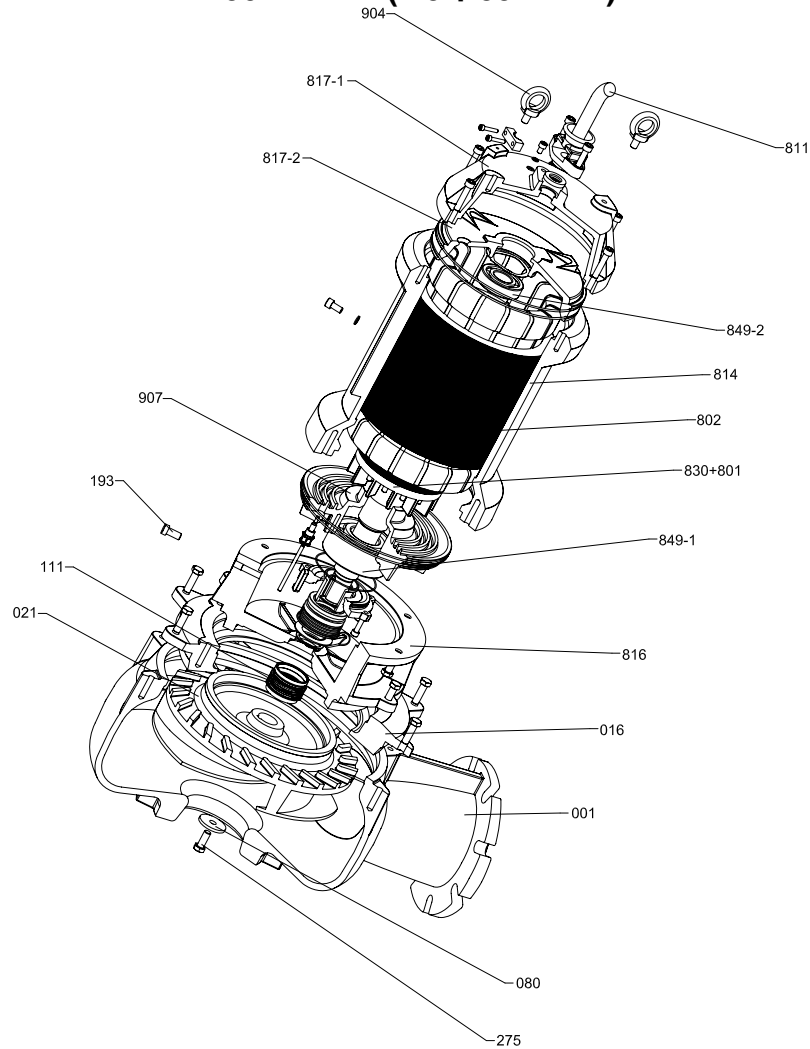
N°	PART NAME	MATERIAL	Q.TY
001	CASING	CAST IRON EN-GJL-250	1
016	MECHANICAL SEAL COVER	CAST IRON EN-GJL-250	1
021	IMPELLER	CAST IRON EN-GJL-250	1
111	MECHANICAL SEAL	-	1
193	OIL PLUG	NBR / STAINLESS STEEL	1
275	IMPELLER BOLT	CLASS A2 AISI 304	1
801	ROTOR	-	1
802	STATOR	-	1
811	SUBMERSIBLE CABLE	-	1
814	MOTOR FRAME	CAST IRON EN-GJL-250	1
816	POWER SIDE BRACKET	CAST IRON EN-GJL-250	1
817-1	OPPOSITE SIDE BRACKET	CAST IRON EN-GJL-250	1
817-2	OPPOSITE SIDE BRACKET	CAST IRON EN-GJL-250	1
830	SHAFT	AISI 420B	1
849-1	BALL BEARING	-	1
849-2	BALL BEARING	-	1
904	LIFTING HANGER	STEEL	2
907	BEARING COVER	CAST IRON EN-GJL-250	1

150 DMLVF (11÷13.6 kW)



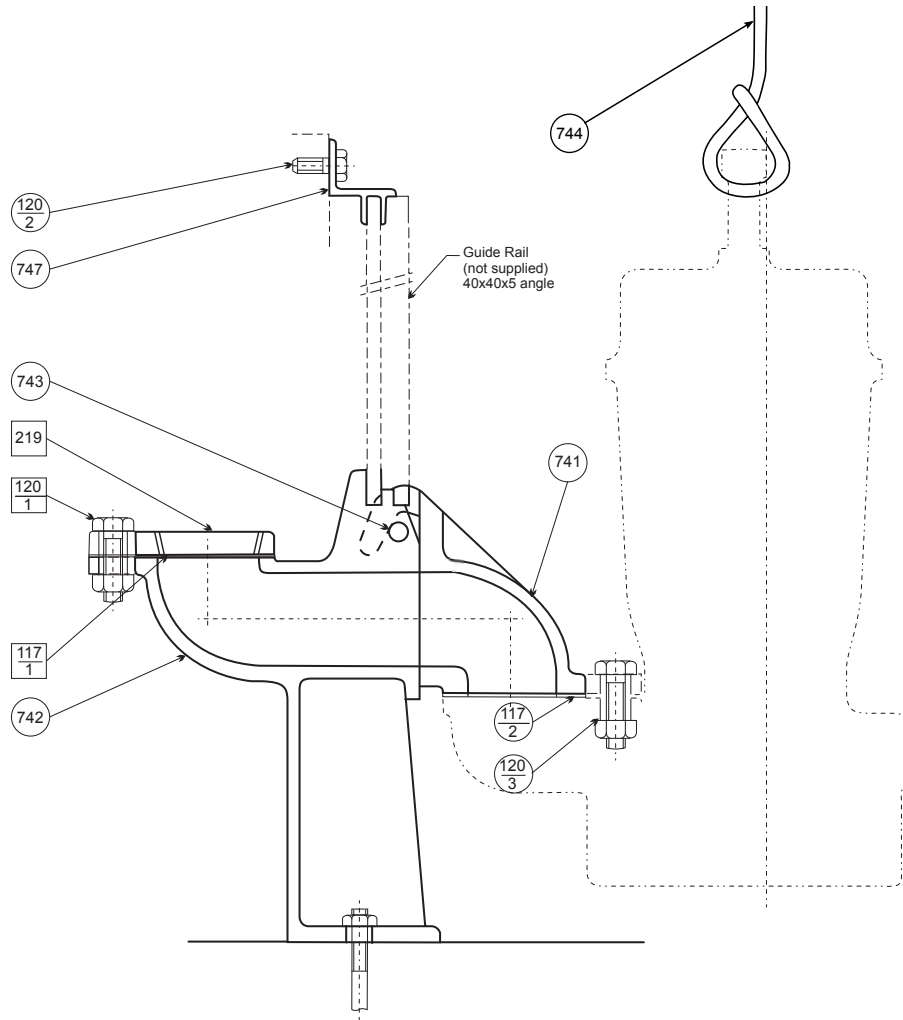
N°	PART NAME	MATERIAL	Q.TY	N°	PART NAME	MATERIAL	Q.TY
001	CASING	CAST IRON EN-GJL-250	1	811	SUBMERSIBLE CABLE	-	1
016	MECHANICAL SEAL COVER	CAST IRON EN-GJL-250	1	814	MOTOR FRAME	CAST IRON EN-GJL-250	1
021	IMPELLER	CAST IRON EN-GJL-250+Ni	1	816	POWER SIDE BRACKET	CAST IRON EN-GJL-250	1
080	BUSHING	STEEL	1	817-1	OPPOSITE SIDE BRACKET	CAST IRON EN-GJL-250	1
111-1	MECHANICAL SEAL	-	1	817-2	OPPOSITE SIDE BRACKET	CAST IRON EN-GJL-250	1
111-2	MECHANICAL SEAL	-	1	830	SHAFT	AISI 420B	1
193	OIL PLUG	NBR / STAINLESS STEEL	1	849-1	BALL BEARING	-	1
275	IMPELLER BOLT	CLASS A2 AISI 304	1	849-2	BALL BEARING	-	1
801	ROTOR	-	1	904	LIFLING HANGER	STEEL	2
802	STATOR	-	1	907	BEARING COVER	CAST IRON EN-GJL-250	1

150 DMLVF (25 ÷ 35.7 kW)



N°	PART NAME	MATERIAL	Q.TY
001	CASING	CAST IRON EN-GJL-250	1
016	MECHANICAL SEAL COVER	CAST IRON EN-GJL-250	1
021	IMPELLER	CAST IRON EN-GJL-250+Ni	1
080	BUSHING	STEEL	1
193	OIL PLUG	NBR / STAINLESS STEEL	1
275	IMPELLER BOLT	CLASS A2 AISI 304	1
801	ROTOR	-	1
802	STATOR	-	1
811	SUBMERSIBLE CABLE	-	1
814	MOTOR FRAME	CAST IRON EN-GJL-250	1
816	POWER SIDE BRACKET	CAST IRON EN-GJL-250	1
817-1	OPPOSITE SIDE BRACKET	CAST IRON EN-GJL-250	1
817-2	OPPOSITE SIDE BRACKET	CAST IRON EN-GJL-250	1
830	SHAFT	AISI 420B	1
849-1	BALL BEARING	-	1
849-2	BALL BEARING	-	1
904	LIFTING HANGER	STEEL	2
907	BEARING COVER	CAST IRON EN-GJL-250	1

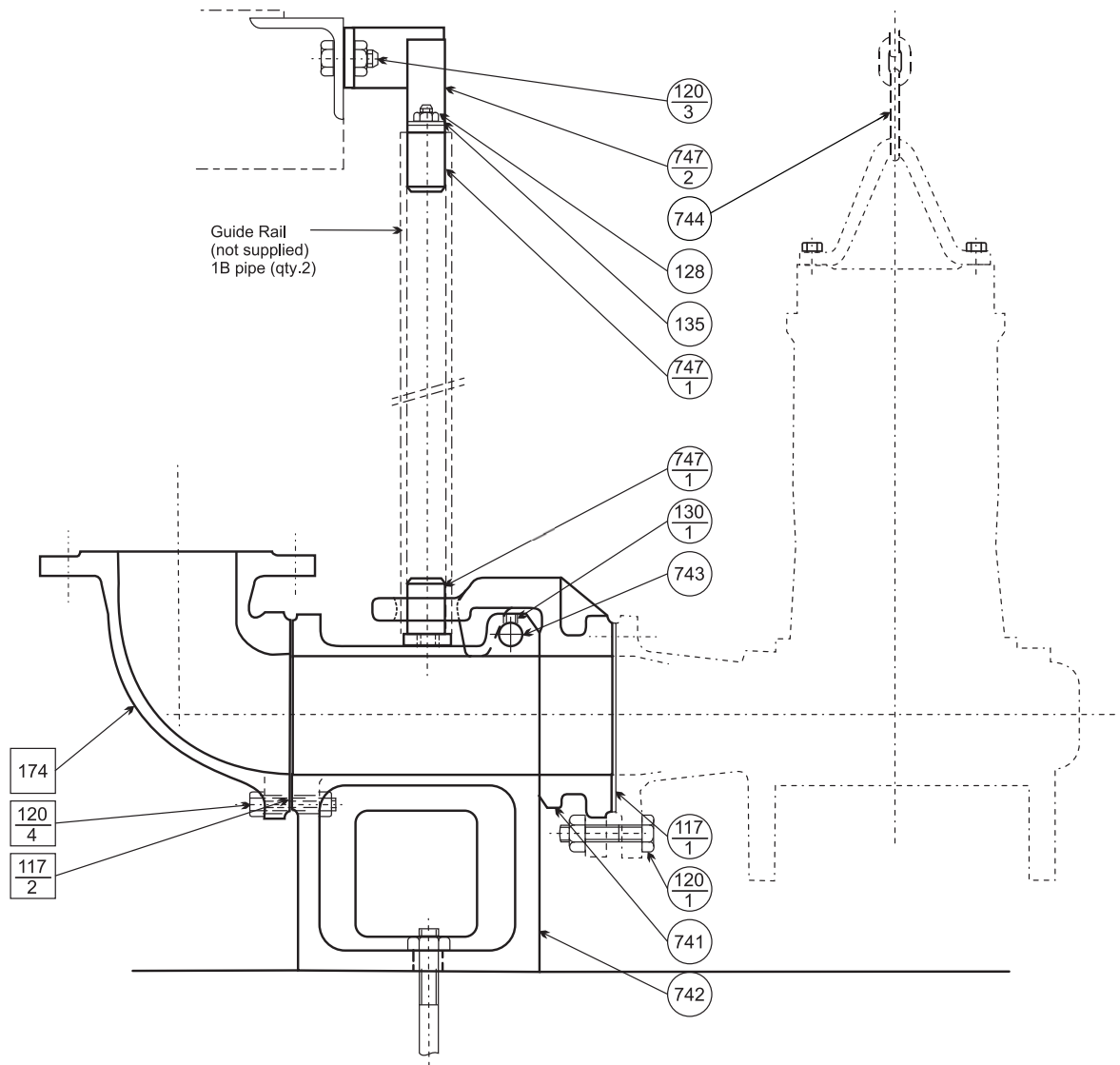
QDC LS50 (Optional)



N°	PART.NAME	MATERIAL	Q.TY	N°	PART.NAME	MATERIAL	Q.TY
117-1	Gasket	NBR Rubber	1	741	Sliding Guide	Cast iron EN-GHJL-200 - EN 1561	1
117-2	Gasket	NBR Rubber	1	742	QDC Body	Cast iron EN-GHJL-200 - EN 1561	1
120-1	Bolt&Nut	AISI 304 Stainless Steel	2	743	Suspension Bar	AISI 304 Stainless Steel	1
120-2	Bolt	AISI 304 Stainless Steel	2	744	Rope	-	1
120-3	Bolt	AISI 304 Stainless Steel	2	747	Guide Support	Steel	1
219	Companion Flange	Cast iron EN-GHJL-200 - EN 1561	1				

Note: Those parts with item number indicated in a are supplied with the pump.

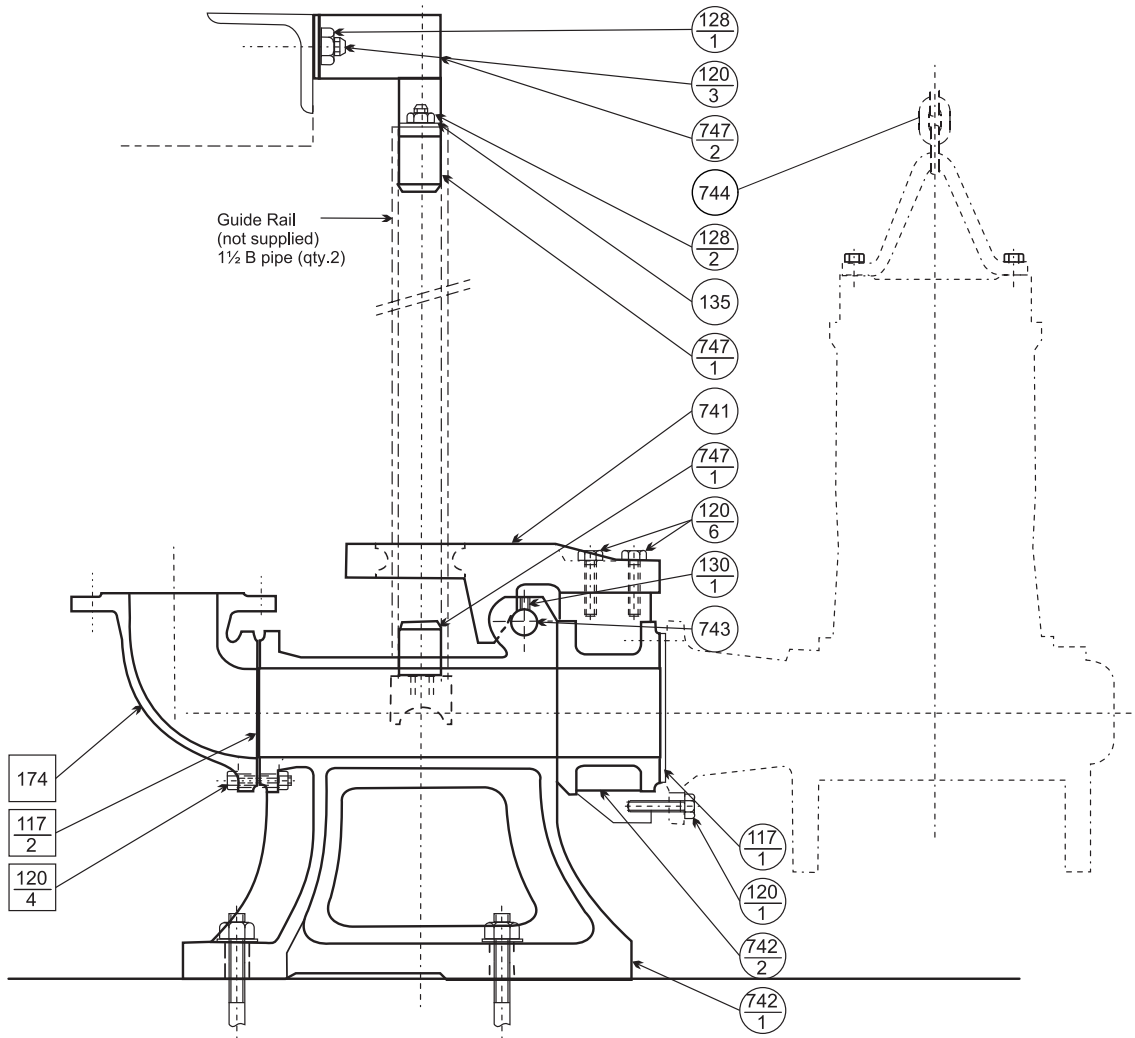
QDC LM50, LM65, LM80 (Optional)



N°	PART.NAME	MATERIAL	Q.TY	N°	PART.NAME	MATERIAL	Q.TY
117-1	Gasket	NBR Rubber	1	135	Washer	AISI 304 Stainless Steel	2
117-2	Gasket	NBR Rubber	1	174	Discharge Bend	Cast iron EN-GHJL-200 - EN 1561	1
117-3	Gasket	NBR Rubber	1	741	Sliding Guide	Cast iron EN-GHJL-200 - EN 1563	1
120-1	Bolt & Nut	AISI 304 Stainless Steel	4	742	QDC Body	Cast iron EN-GHJL-200 - EN 1564	1
120-3	Bolt & Nut	AISI 304 Stainless Steel	2	743	Suspension Bar	AISI 304 Stainless Steel	1
120-4	Bolt & Nut	AISI 304 Stainless Steel	4	744	Chain	Steel	1
120-5	Bolt & Nut	AISI 304 Stainless Steel	4or8	747-1	Guide Pin	Steel	4
128	Nut	AISI 304 Stainless Steel	2	747-2	Guide Support	Steel	1
130-1	Set Screw	AISI 304 Stainless Steel	1				

Note: Those parts with item number indicated in a □ are supplied with the pump.

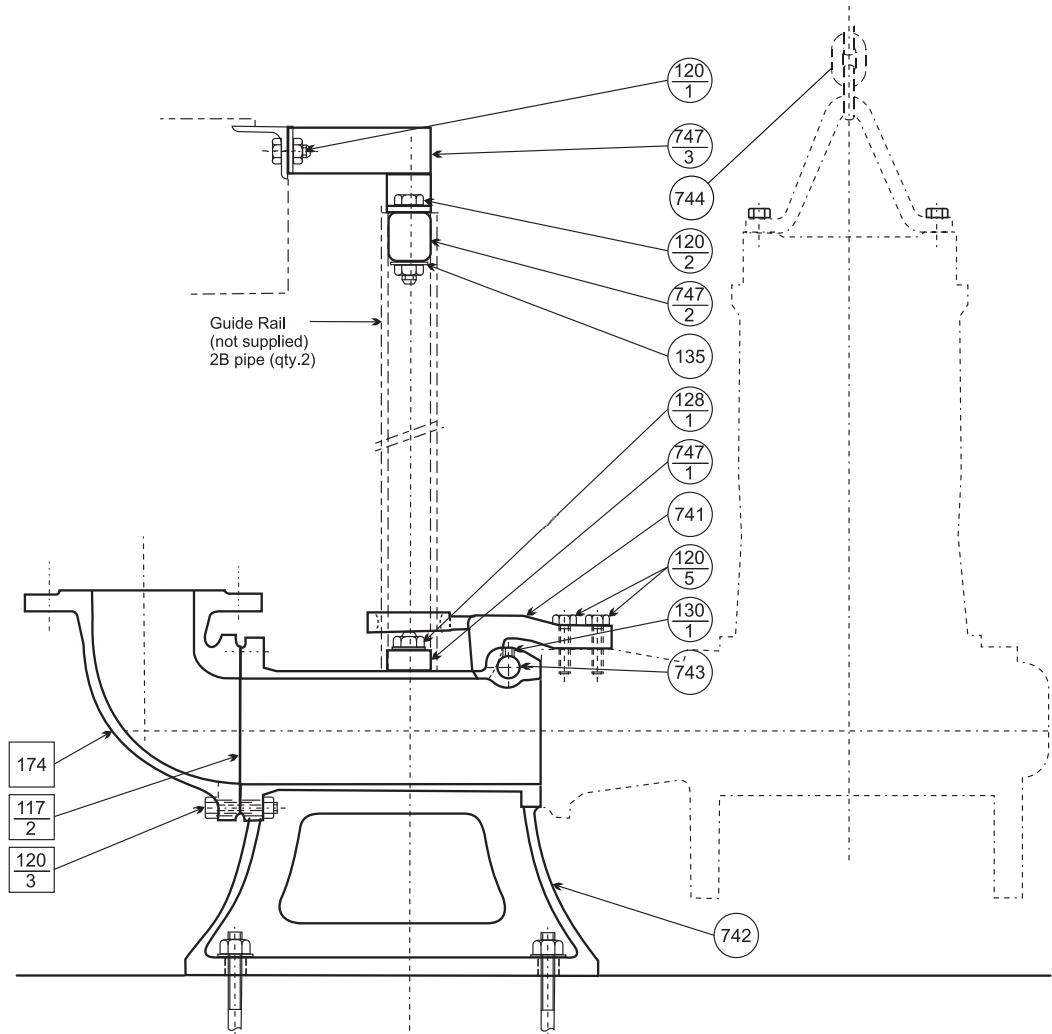
QDC LL80, LL100 (Optional)



N°	PART.NAME	MATERIAL	Q.TY	N°	PART.NAME	MATERIAL	Q.TY
117-1	Gasket	NBR Rubber	1	130-1	Set Screw	AISI 304 Stainless Steel	1
117-2	Gasket	NBR Rubber	1	135	Washer	AISI 304 Stainless Steel	2
117-3	Gasket	NBR Rubber	1	174	Discharge Bend	Cast iron EN-GHJL-200 - EN 1561	1
120-1	Bolt	AISI 304 Stainless Steel	4	741	Sliding Guide	Spheroidal graphite cast iron EN-GJS-400 - EN 1563	1
120-3	Bolt	AISI 304 Stainless Steel	2	742-1	QDC Body	Cast iron EN-GHJL-200 - EN 1564	1
120-4	Bolt & Nut	AISI 304 Stainless Steel	4	742-2	QDC Flange	Cast iron EN-GHJL-200 - EN 1564	1
120-5	Bolt & Nut	AISI 304 Stainless Steel	4or8	743	Suspension Bar	AISI 304 Stainless Steel	1
120-6	Bolt	AISI 304 Stainless Steel	4	744	Chain	Steel	1
128-1	Nut	AISI 304 Stainless Steel	2	747-1	Guide Pin	Steel	4
128-2	Nut	AISI 304 Stainless Steel	2	747-2	Guide Support	Steel	1

Note: Those parts with item number indicated in a are supplied with the pump.

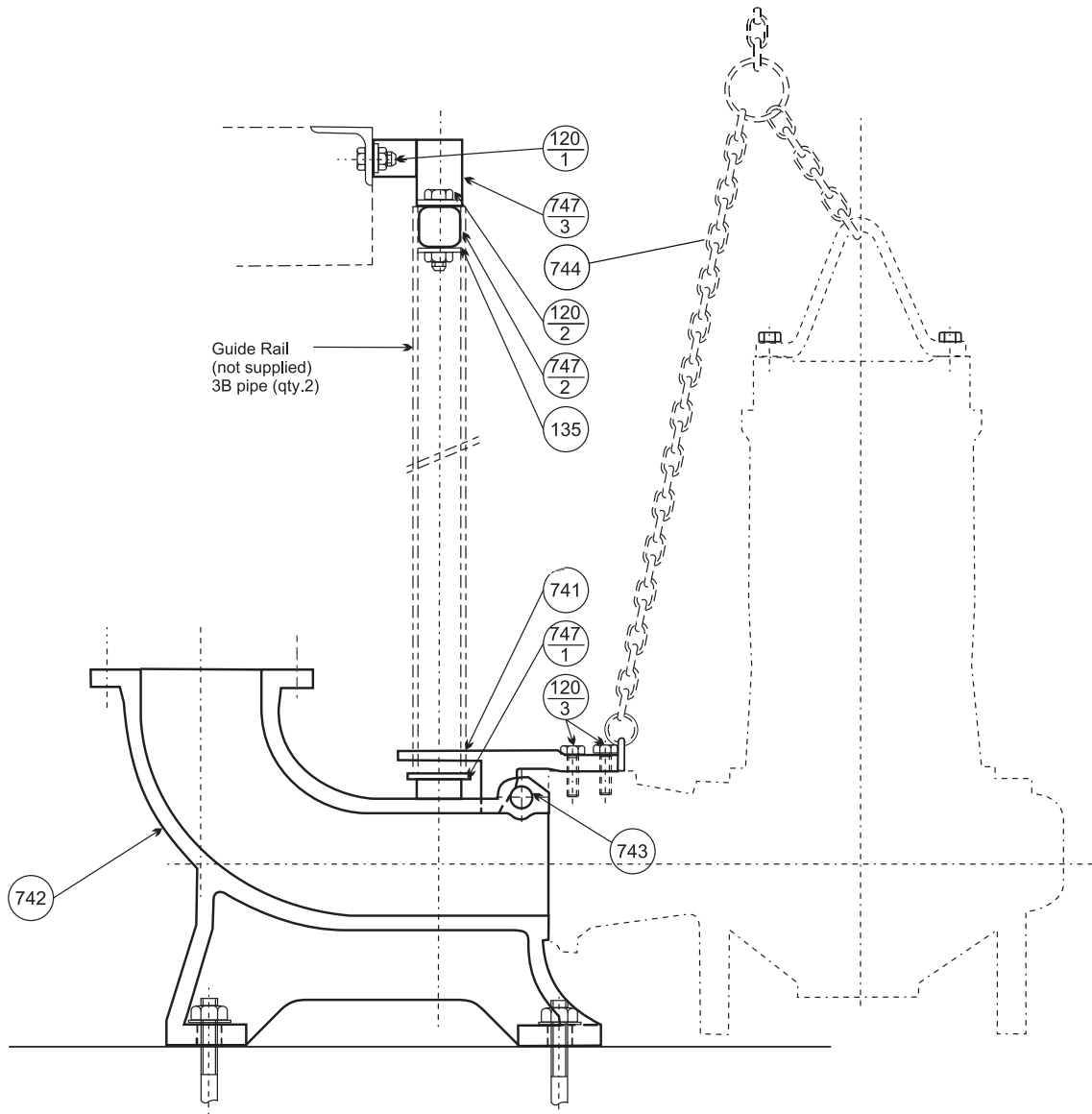
QDC LL125, LL150 (Optional)



N°	PART.NAME	MATERIAL	Q.TY	N°	PART.NAME	MATERIAL	Q.TY
117-2	Gasket	NBR Rubber	1	135	Washer	AISI 304 Stainless Steel	2
117-3	Gasket	NBR Rubber	1	174	Discharge Bend	Cast iron EN-GHJL-200 - EN 1561	1
120-1	Bolt & Nut	AISI 304 Stainless Steel	2	741	Sliding Guide	Spheroidal graphite cast iron EN-GJS-400 - EN 1563	1
120-2	Bolt & Nut	AISI 304 Stainless Steel	2	742	QCD Body	Cast iron EN-GHJL-200 - EN 1561	1
120-3	Bolt & Nut	AISI 304 Stainless Steel	4	743	Suspension Bar	AISI 304 Stainless Steel	1
120-4	Bolt & Nut	AISI 304 Stainless Steel	8	744	Chain	Steel	1
120-5	Bolt	AISI 304 Stainless Steel	4	747-1	Guide Pin	Steel	2
128-1	Nut	AISI 304 Stainless Steel	2	747-2	Guide Pin	NR Rubber	2
130-1	Set Screw	AISI 304 Stainless Steel	1	747-3	Guide Support	Steel	1

Note: Those parts with item number indicated in a □ are supplied with the pump.

QDC LL250, 300 (Optional)



N°	PART.NAME	MATERIAL	Q.TY	N°	PART.NAME	MATERIAL	Q.TY
117-3	Gasket	NBR Rubber	1	742	QCD Body	Cast iron EN-GHJL-200 - EN 1561	1
120-1	Bolt & Nut	AISI 304 Stainless Steel	2	743	Suspension Bar	AISI 304 Stainless Steel	1
120-2	Bolt & Nut	Steel	2	744	Chain	Steel	1
120-3	Bolt	AISI 304 Stainless Steel	4	747-1	Pipe Support	AISI 304 Stainless Steel	1
120-4	Bolt & Nut	AISI 304 Stainless Steel	12 or 16	747-2	Guide Pin	NR Rubber	2
135	Washer	Steel	2	747-3	Guide Support	Steel	1
741	Sliding Guide	Spheroidal graphite cast iron EN-GJS-400 - EN 1563	1				

Note: Those parts with item number indicated in a are supplied with the pump.

MECHANICAL SEALS: TYPE A(20÷45), EAN(30÷45)

Type A (-20, -25, -30, -35)		
No.	Part Name	Material
1	Packing	NBR Rubber
2	Floating Ring	Ceramic
3	Seal Ring	Carbon Graphite
4	Spring	Aisi 304
5	Seal Ring	Silicon Carbide
6	Floating Ring	Silicon Carbide
7	Packing	NBR Rubber

Type A (-40, -45)		
No.	Part Name	Material
1	Packing	NBR Rubber
2	Seal Ring	Carbon Graphite
3	Floating Ring	Ceramic
4	Snap Ring	Spring Steel
5	Snap Ring	Spring Steel
6	Floating Ring	Silicon Carbide
7	Seal Ring	Silicon Carbide
8	Spring	Aisi 304

Type EAN (-30, -40, -45)		
No.	Part Name	Material
1	Packing	NBR Rubber
2	Floating Ring	Ceramic
3	Seal Ring	Carbon Graphite
4	Spring	Aisi 304
5	Seal Ring	Silicon Carbide
6	Floating Ring	Silicon Carbide
7	Packing	NBR Rubber

MECHANICAL SEALS: TYPE EAN-60

Type A-60		
No.	Part Name	Material
1	Parallel Pin	AISI 316
2	O - Ring	NBR Rubber
3	Mating Ring	Silicon Carbide
4	Seal Ring	Silicon Carbide
5	Bellows	NBR Rubber
6	Case	AISI 304
7	Case	AISI 304
8	Drive Ring	AISI 304
9	Spring	AISI 304
10	Spring Retainer	AISI 304
11	Packing	NBR Rubber
12	Mating Ring	Ceramics
13	Seal Rings	Carbon
14	Bellows	NBR Rubber
15	Case	AISI 304
16	Case	AISI 304
17	Drive Ring	AISI 304
18	Spring	AISI 304
19	Spring Retainer	AISI 304

MECHANICAL SEALS

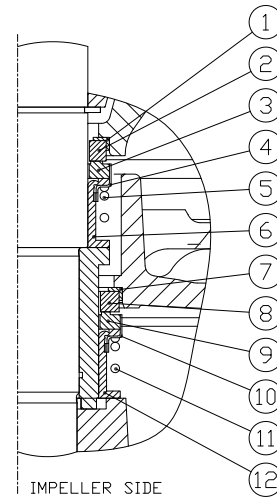
IEC63		
No.	Part Name	Material
1	Lip seal	NBR
2	Paking	NBR
3	Mating Ring	Alumina
4	Seal Ring	Carbon PAC M3X
5	Case	AISI 304
6	Spring	AISI 304
7	Bellows	NBR

IEC72 –IEC71		
No.	Part Name	Material
1	Lip seal	NBR
2	Paking	NBR
3	Mating Ring	Silicon Carbide
4	Seal Ring	Silicon Carbide
5	Case	AISI 316
6	Spring	AISI 316
7	Bellows	NBR

IEC90 – IEC100		
No.	Part Name	Material
1	Packing	NBR
2	Mating ring	Alumina
3	Seal ring	Resin-impregnated Carbon
4	Case	AISI 304
5	Bellows	NBR
6	Spring	AISI 304
7	Packing	NBR
8	Mating ring	Silicon carbide
9	Seal ring	Silicon carbide
10	Case	AISI 316
11	Spring	AISI 316
12	Bellows	NBR

IEC112 – IEC132		
No.	Part Name	Material
1	Packing	NBR
2	Mating ring	Alumina
3	Seal ring	Resin-impregnated Carbon
4	Case	AISI 304
5	Bellows	NBR
6	Spring	AISI 304
7	Packing	NBR
8	Mating ring	Silicon carbide
9	Seal ring	Silicon carbide
10	Case	AISI 316
11	Spring	AISI 316
12	Bellows	NBR

IEC60-180-200 – IEC250		
No.	Part Name	Material
1	Packing	NBR
2	Mating ring	Ceramic 96%
3	Seal ring	Carbon
4	Case	AISI 316
5	Spring	AISI 316
6	Bellows	NBR
7	Packing	NBR
8	Mating ring	Silicon carbide
9	Seal ring	Silicon carbide
10	Case	AISI 316
11	Spring	AISI 316
12	Bellows	NBR



MECHANICAL SEALS TABLE

DS						
Size	Model	Output [kW]	Mechanical Seal Type	Oil Q.ty [cc]	Bearings	
					Bottom	Top
50	50DS51.5	1,5	A-20	650	6205ZZ	6203ZZ
	50DS52.2	2,2	A-30	1180	6307ZZ	6304ZZ
	50DS53.7	3,7			6308ZZ	
65	65DS51.5	1,5	A-20	650	6205ZZ	6203ZZ
80	80DS52.2	2,2	A-30	1180	6307ZZ	6304ZZ
	80DS53.7	3,7			6308ZZ	
100	100DS55.5	5,5	A-35	1700	6308ZZ	6306ZZ
	100DS57.5	7,5				

DVS						
Size	Model	Output [kW]	Mechanical Seal Type	Oil Q.ty [cc]	Bearings	
					Bottom	Top
50	50DVS15.5	1,5	A-20	650	6205ZZ	6203ZZ
65	65DVS51.5	1,5	A-30	1380	6307ZZ	6304ZZ
	65DVS52.2	2,2			6308ZZ	
	65DVS53.7	3,7			6205ZZ	
80	80DVS51.5	1,5	A-20	650	6205ZZ	6203ZZ
	80DVS52.2	2,2	A-30	1380	6307ZZ	6304ZZ
	80DVS53.7	3,7			6308ZZ	

DML						
Size	Model	Output [kW]	Mechanical Seal Type	Oil Q.ty [cc]	Bearings	
					Bottom	Top
80	80DML(V)52.2	2.2	EAN-30	1000	5307ZZ	6205ZZ
	80DML(V)53.7	3.7				
100	100DML53.7	3.7	EAN-40	1570	5309ZZ	6306ZZ
	100DML(V)55.5	5.5				
	100DML(V)57.5	7.5				
	100DML(V)511	11	EAN-45	2900	5310ZZ	6308ZZ
	100DML(V)515	15				
	100DML(V)522	22				
150	150DML55.5	5.5	EAN-40	1570	5309ZZ	6306ZZ
	150DML57.5	7.5				
	150DML511	11	EAN-45	2900	5310ZZ	6308ZZ
	150DML515	15				
	150DML522	22				

DMLV						
Size	Model	Output [kW]	Mechanical Seal Type	Oil Q.ty [cc]	Bearings	
					Bottom	Top
80	80DMLV52.2	2.2	EAN-30	1100	5307ZZ	6205ZZ
	80DMLV53.7	3.7				
100	100DMLV55.5	5.5	EAN-40	1780	5309ZZ	6306ZZ
	100DMLV57.5	7.5				
	100DMLV511	11	EAN-45	3380	5310ZZ	6308ZZ
	100DMLV515	15				
	100DMLV522	22				

DL, DL W/C							
Size	Model	Output [kW]	Mechanical Seal Type	Oil Q.ty [cc]	Bearings		
					Bottom	Top	
65	65DL51.5(W/C)	1.5	A-25	920	6306ZZ	6204ZZ	
80	80DL51.5(W/C)	1.5	A-30	1380	6307ZZ	6205ZZ	
	80DL52.2(W/C)	2.2			6308ZZ		
	80DL53.7(W/C)	3.7	A-40	2500	6309ZZ	6306ZZ	
	80DLC55.5	5.5					
80DLC57.5	7.5						
100	100DL53.7(W/C)	3.7	A-30	1380	6308ZZ	6205ZZ	
	100DLB55.5(W/C)	5.5	A-40	2500	6309ZZ	6306ZZ	
	100DLC55.5	5.5					
	100DLB57.5(W/C)	7.5					
	100DLC57.5	7.5					
	100DL511	11	A-45	6200	3500	6313ZZ	6308ZZ
	100DL515	15			6315ZZ	6309ZZ	
	100DL518.5	18.5					
100DL522	22						
150	150DL55.5	5.5	A-40	2500	6309ZZ	6306ZZ	
	150DL57.5	7.5			3500		6313ZZ
	150DL511	11	A-45	6200	6315ZZ	6309ZZ	
	150DL515	15					
	150DL518.5	18.5					
	150DL522	22	A-60	8900	7300	6314ZZDR	3690ZZ
	150DL530	30			6315ZZDR	6310ZZ	
	150DL537	37					
	150DL545	45					
	200	200DL55.5	5.5	A-40	2500	6309ZZ	6306ZZ
200DL57.5		7.5	3500			6313ZZ	
200DL511		11	A-45	6200	6315ZZ	6309ZZ	
200DL515		15					
200DL518.5		18.5					
200DL522		22	A-60	8900	7300	6314ZZDR	3690ZZ
200DL530		30			6315ZZDR	6310ZZ	
200DL537		37					
200DL545		45					
250		250DL57.5	7.5	A-40	2500	6309ZZ	6306ZZ
	250DL511	11	3500			6313ZZ	
	250DL515	15	A-45	6200	6315ZZ	6309ZZ	
	250DL518.5	18.5					
	250DL522	22					
	250DL530	30	A-60	9000	6900	6314ZZDR	3690ZZ
	250DL537	37			6315ZZDR	6310ZZ	
250DL545	45						
300	300DL511	11	A-40	3500	6313ZZ	6308ZZ	
	300DL515	15	A-45	6200	6315ZZ	6309ZZ	
	300DL518.5	18.5					
	300DL522	22					
	300DL530	30	A-60	9000	6900	6314ZZDR	3690ZZ
	300DL537	37			6315ZZDR	6310ZZ	
	300DL545	45					

DSF						
Size	Model	Output [kW]	Mechanical Seal Type	Oil Q. ty [cc]	Bearings	
					Bottom	Top
40	40DSF51,8M (150)	1.8	IEC 71	260	6304 2RS2/C3	6303 2RS1/C3
	40DSF51,1M (125)	1.1	IEC 71	260	6304 2RS2/C3	6303 2RS1/C3
	40DSF55,7 (192)	5.7	IEC 100	330	6306 2RS1/C3	6305 2RS1/C3
65	65DSF515,9 (230)	15.9	IEC 132	1900	3308A-2RS1TN9/MT33	6308 2RS

DMLF						
Size	Model	Output [kW]	Mechanical Seal Type	Oil Q. ty [cc]	Bearings	
					Bottom	Top
50	50DMLF51,1M (120)	1.1	IEC 72	240	3304 A 2RS1-TN9C3-MT33	6303 2RS1/C3
65	65DMLF51,1M (135)	1.1	IEC 71	260	6304 2RS1/C3	6303 2RS1/C3
	65DMLF51,8M (125)	1.8	IEC 71	260	3304 A 2RS1-TN9C3-MT33	6303 2RS1/C3

DMLVF						
Size	Model	Output [kW]	Mechanical Seal Type	Oil Q. ty [cc]	Bearings	
					Bottom	Top
32	32DMLVF50,5M (90)	0.5	IEC 63	160	6202 2Z C3	6200 2Z C3
50	50DMLVF51,1M (130)	1.1	IEC 71	260	6304 2RS1/C3	6303 2RS1/C3
	50DMLVF51,8M (140)	1.8	IEC 71	260	6304 2RS1/C3	6303 2RS1/C3
	50DMLVF51,8M (155)	1.8	IEC 71	260	6304 2RS1/C3	6303 2RS1/C3
	65	65DMLVF51,9M (109)	1.9	IEC 71	260	6304 2RS1/C3
80	80DMLVF54,6 (206)	4.6	IEC 100	330	6306 2RS1/C3	6305 2RS1/C3
	80DMLVF518,2 (188)	18.2	IEC 132	1900	3308A-2RS1TN9/MT33	6308 2RS
	80DMLVF518,2 (225)	18.2	IEC 132	1900	3308A-2RS1TN9/MT33	6308 2RS
100	100DMLVF55,2 (260)	5.2	IEC 112	1900	3307A-2RS1TN9/MT33	6307 2RS1/C3
150	150DMLVF511 (360)	11	IEC 180	2850	3311 2RS	6307 2RS1/C3
	150DMLVF513,6 (400)	13.6	IEC 180	2850	3311 2RS	6307 2RS1/C3
	150DMLVF525 (340)	25	IEC 180	2850	3311 2RS	6307 2RS1/C3
	150DMLVF535,7 (360)	35.7	IEC 180	2850	3311 2RS	6307 2RS1/C3

DS

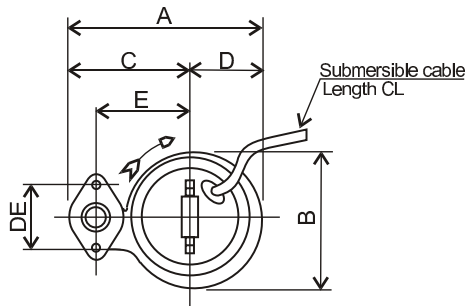


Figure 1

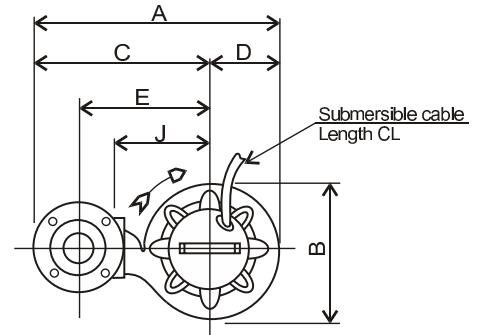
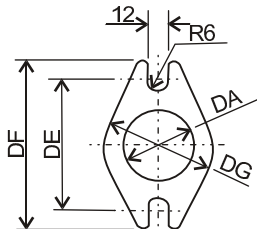
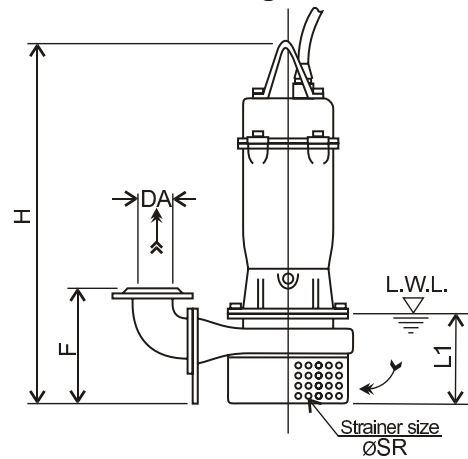
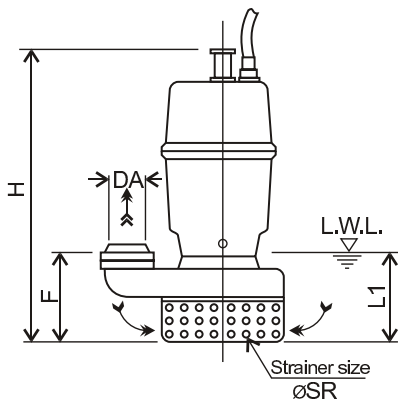
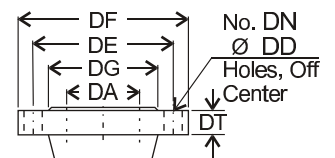


Figure 2



Oval Flange

Discharge flange dimensions [mm] - EN 1092-2							
Type	DA	DE	DF	DG	DT	DN	DD
Round	50	96	114	76	-	-	-
		125	165	99	17	4	19
	65	145	185	118	19	8	
	80	160	200	132	21		



Round Flange

Dimensions [mm]																		
Size DA	Model	Fig.	Flange Type	Output [kW]	DA	A	B	C	D	E	F	H	DE	J	L1 (*)	ØSR	CL [m]	Weight [kg]
50	50DS51.5	1	Oval	1.5	G2"	266	200	168	98	130	115	450	96	-	120	10	6	25
	2.2			50	433	245	313	120	235	198	619	-	180	160	10		55	
	3.7																61	
65	65DS51.5	2	Round	1.5	65	407	210	303	104	215	197	503	-	150	120	10	6	35
2.2	80			503	268	368	135	275	215	625	-	200	160	59				
3.7															64			
80	80DS52.2			5.5	100	615	309	460	155	355	257	730	-	250	200	13	92	
	7.5																104	

- L.W.L (Low Water Level)
- (*) - Operation is limited to 10 minutes at L.W.L.
- Operation is limited to 30 minutes with water level below top of motor

DS with QDC (1.5÷3.7 kW)

Figure 1

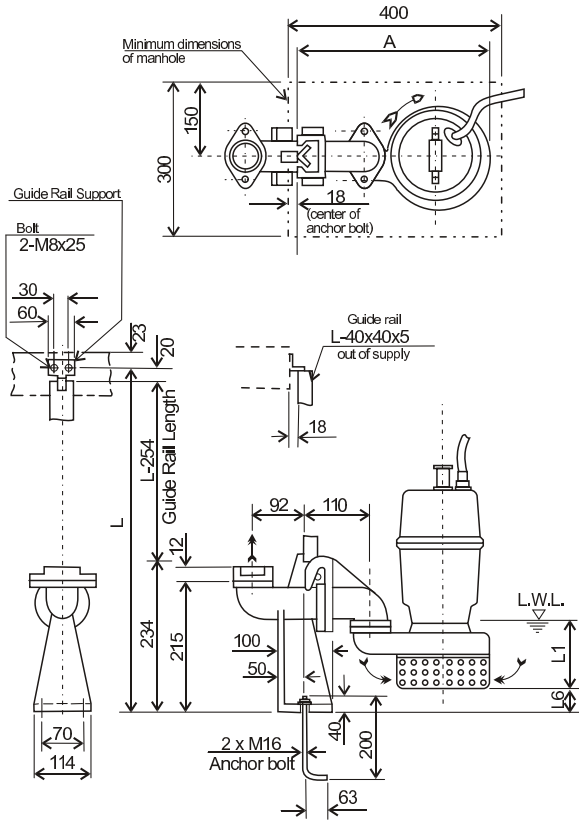
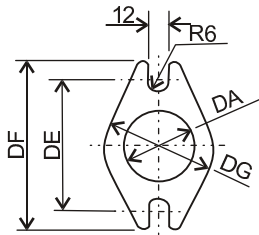
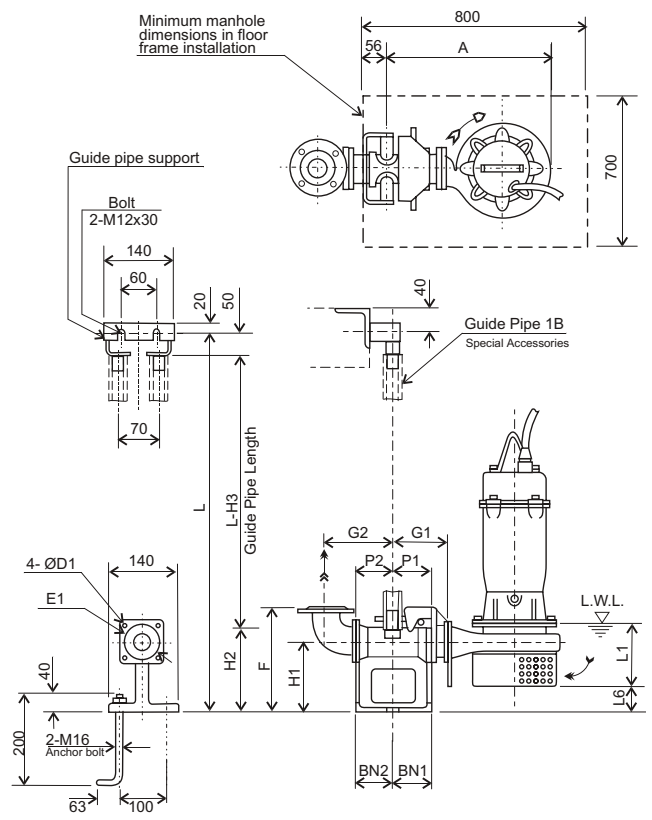
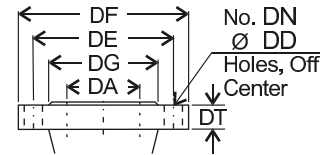


Figure 2



Oval Flange

Discharge flange dimensions [mm] - EN 1092-2							
Type	DA	DE	DF	DG	DT	DN	DD
Oval	50	96	114	76	-	-	-
		125	165	99	-	-	-
Round	65	145	185	118	17	4	19
		80	160	200	132	19	8

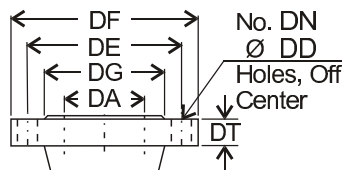
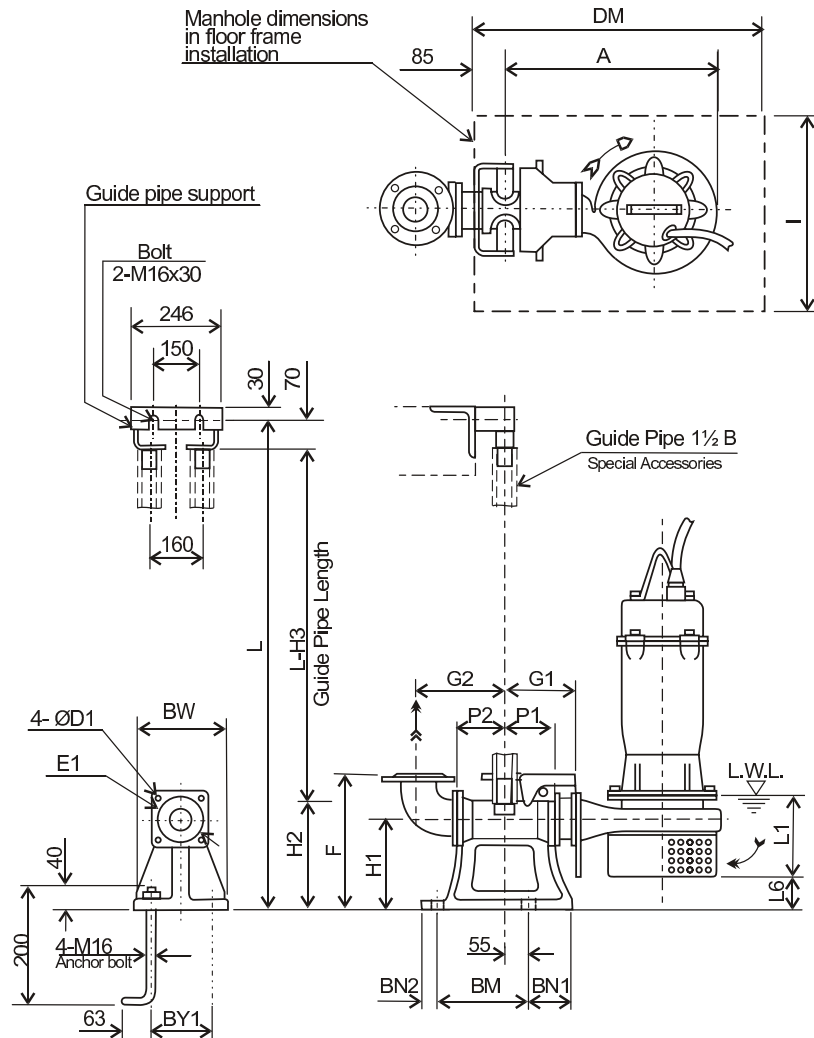


Round Flange

Dimensions [mm]																							
Size	Model	Fig.	Flange Type	Output [kW]	DA	A	P1	P2	G1	G2	F	H1	H2	H3	L1 (*)	L6	BN1	BN2	D1	E1	QDC Model	Weight [kg]	
50	50DS51.5	1	Oval	1.5	G2"	-	-	-	-	-	-	-	-	-	120	25	-	-	-	-	LS50	9	
	2.2			50	415	75	80	115	135	230	135	165	215	160	32	-	-	80	12	120	LM50	11	
	3.7			50DS53.7	-	-	-	-	-	-	-	-	-	-	-	-	-	-	-	-	-	-	-
65	65DS51.5	2	Round	1.5	65	374	75	95	120	160	250	145	190	240	120	53	75	-	95	12	140	LM65	14
80	80DS52.2			2.2	80	460	75	90	125	165	285	175	230	280	160	70	-	-	90	15	155	LM80	17
	80DS53.7			3.7	80	460	75	90	125	165	285	175	230	280	160	70	-	-	90	15	155	LM80	17

(*) - L.W.L (Low Water Level)
 - Operation is limited to 10 minutes at L.W.L.
 - Operation is limited to 30 minutes with water level below top of motor

DS (5.5÷7.5 kW) with QDC

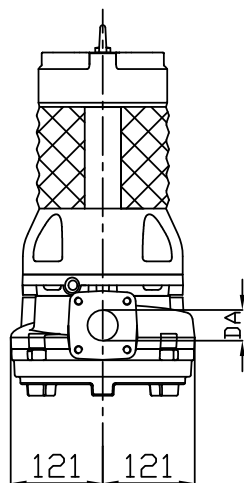
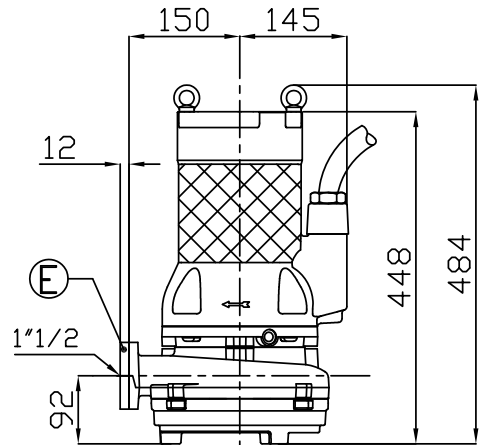
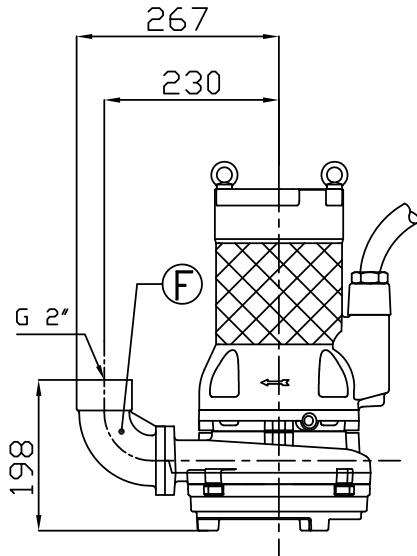


Discharge flange dimensions [mm] - EN 1092-2							
Type	DA	DE	DF	DG	DT	DN	DD
Round	100	180	220	156	21	8	19

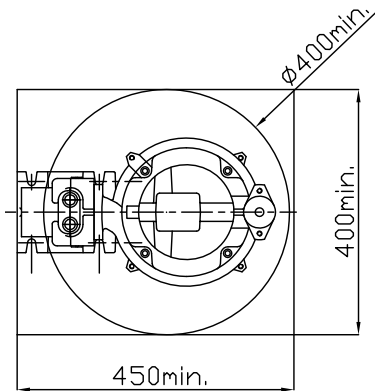
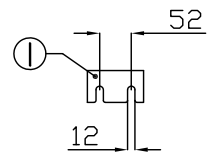
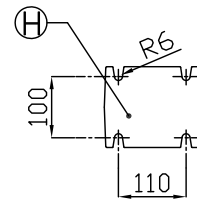
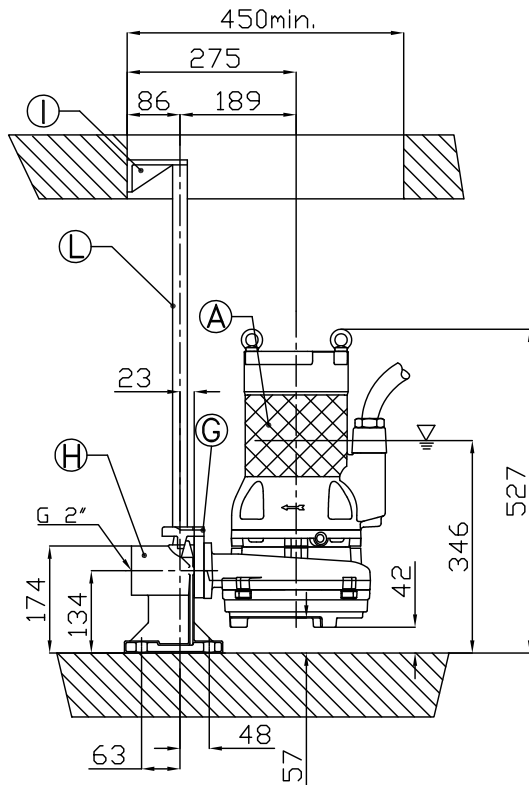
Dimensions [mm]																								
Size DA	Model	Output [kW]	A	P1	P2	G1	G2	F	H1	H2	H3	L1 (*)	L6	BN1	BN2	BM	BY1	BW	DM	I	D1	E1	QDC Model	QDC Weight [kg]
100	100DS55.5	5.5	590	105	105	185	210	365	240	265	335	200	108	100	40	220	180	230	800	700	19	175	LL100	46
	100DS57.5	7.5																						

- L.W.L (Low Water Level)
- (*) - Operation is limited to 10 minutes at L.W.L.
- Operation is limited to 30 minutes with water level below top of motor

40DSF (1.1÷1.8 kW)



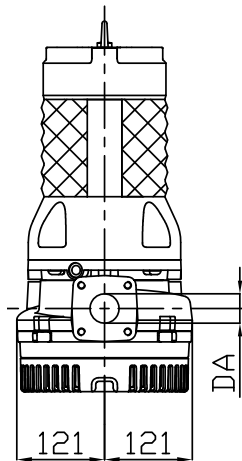
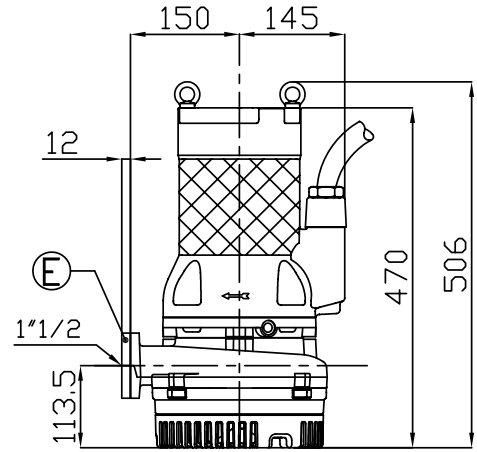
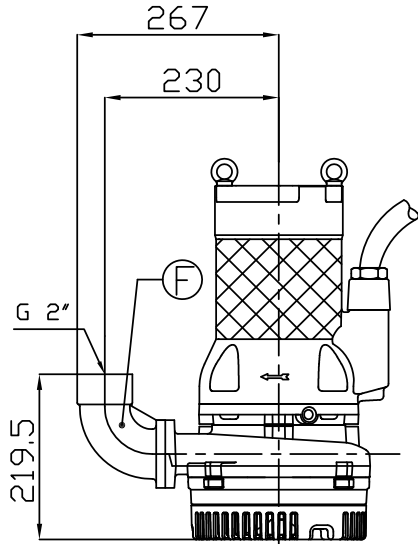
Size DA	Model	Output [kW]	Weight [kgf]
40	40DSF51,1M(125)	1.1	38
	40DSF51,8M(150)	1.8	38



▽ LIVELLO MINIMO DI
 ≡ SOMMERSIBILITA'
 ≡ MINIMUM
 ≡ SUBMERSIBLE LEVEL

POSITION	DESCRIPTION	MATERIAL	WEIGHT [kgf]
A	SUBMERSIBLE PUMP	-	-
B	RUBBER JOINT DN50	NEOPRENE	-
E	THREADED FLANGE 1" 1/2	G250 CAST-IRON	1
F	THREADED ELBOW 90° 2"	G250 CAST-IRON	3
G	DOUBLE GUIDE RAIL COUPLING FEET DN50	G250 CAST IRON	1.5
H	DOUBLE GUIDE CUOPLING FEET DN50	G250 CAST-IRON	6
I	DOUBLE GUIDE RAIL UPPER SUPPORT 3/4	G250 CAST-IRON	1.1
L	GUIDE RAIL 3/4	GALVANIZED STEEL	-

40DSF (5.7 kW)

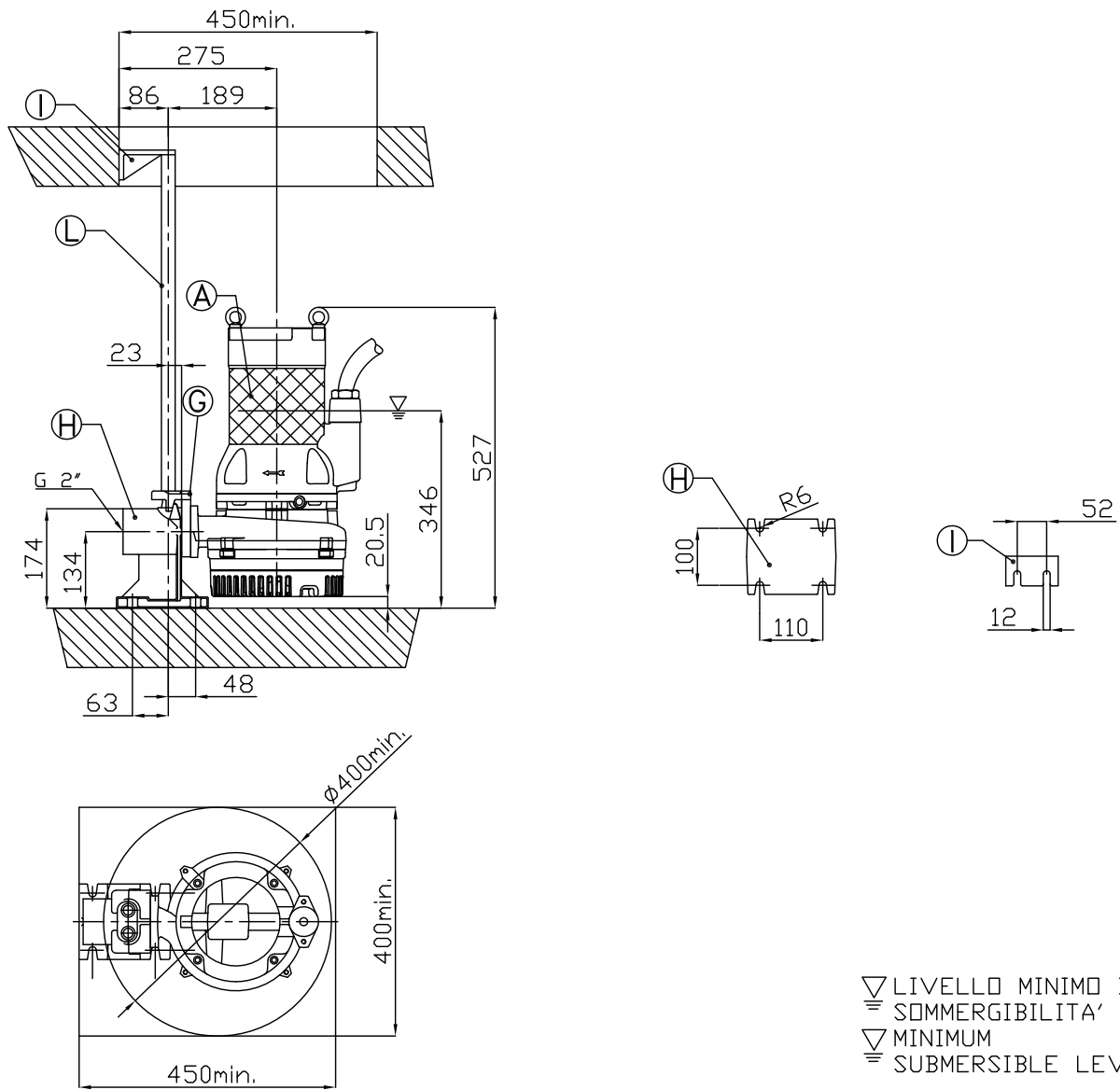


Size DA	Model	Output [kW]	Weight [kgf]
40	40DSF55,7(192)	5,7	68

DIMENSIONS AND WEIGHT

50 Hz

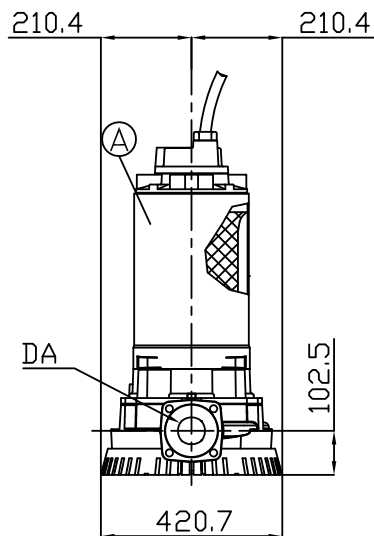
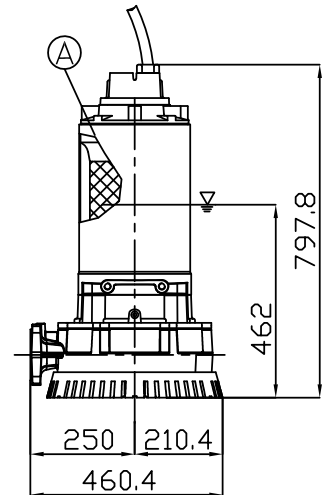
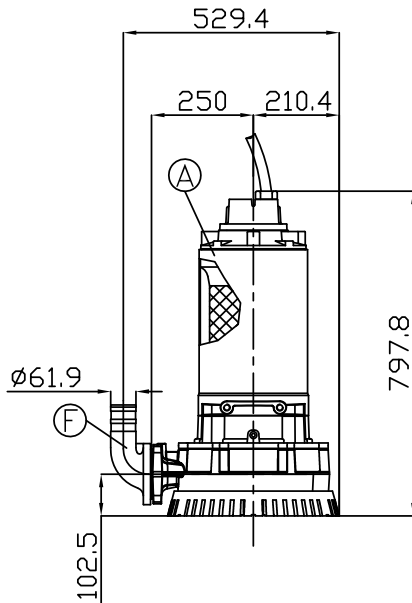
Rev. A



POSITION	DESCRIPTION	MATERIAL	WEIGHT [kgf]
A	SUBMERSIBLE PUMP	-	-
B	RUBBER JOINT DN50	NEOPRENE	-
E	THREADED FLANGE 1" 1/2	G250 CAST-IRON	1
F	THREADED ELBOW 90° 2"	G250 CAST-IRON	3
G	DOUBLE GUIDE RAIL COUPLING FLANGE DN50	G250 CAST IRON	1.5
H	DOUBLE GUIDE CUOPLING FEET DN50	G250 CAST-IRON	6
I	DOUBLE GUIDE RAIL UPPER SUPPORT 3/4	G250 CAST-IRON	1.1
L	GUIDE RAIL 3/4	GALVANIZED STEEL	-

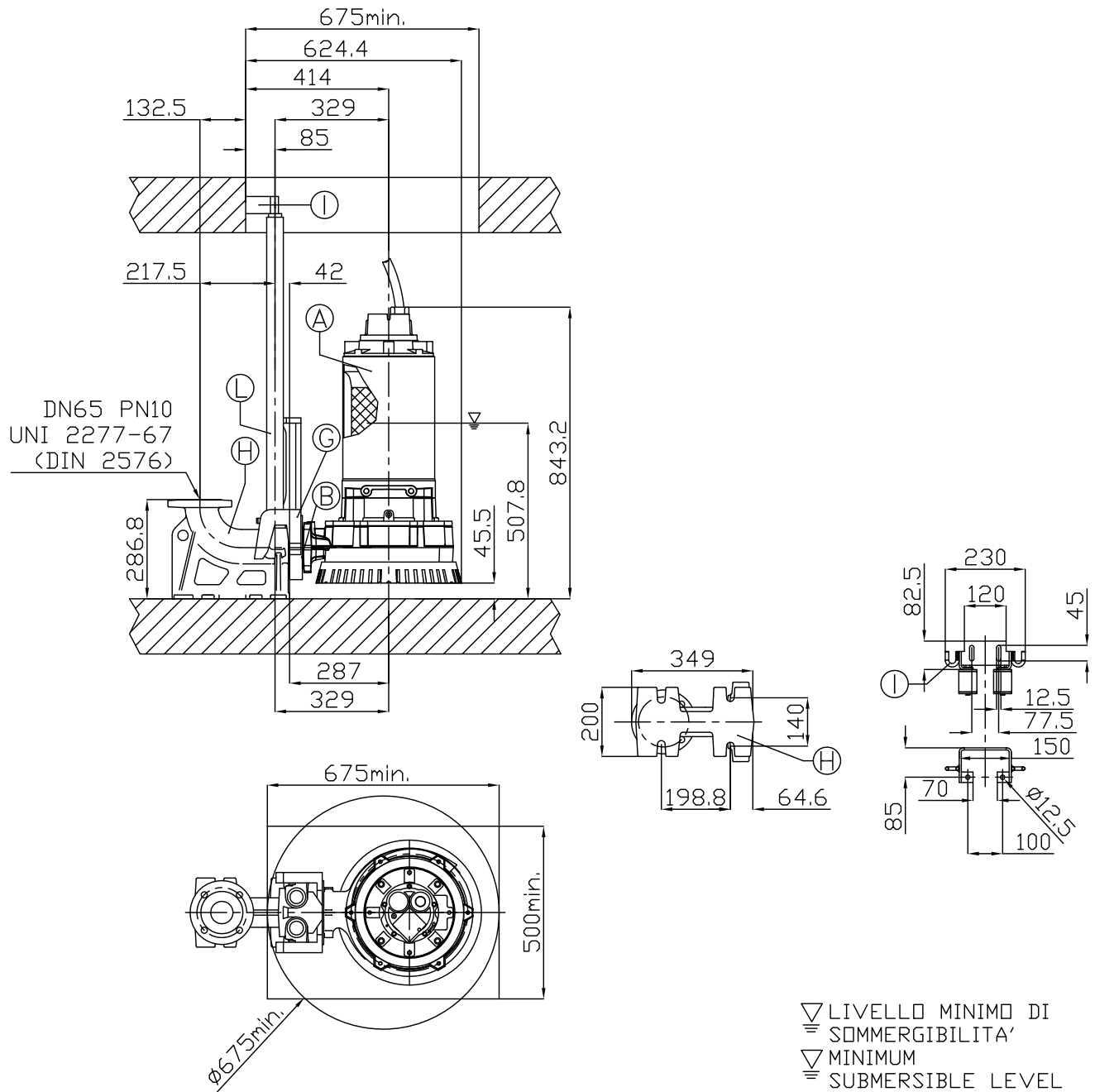
▽ LIVELLO MINIMO DI
SOMMERSIBILITA'
▽ MINIMUM
▽ SUBMERSIBLE LEVEL

65DSF (15.9 kW)



Size DA	Model	Output [kW]	Weight [kgf]
DN65 PN 10 UNI 2277-67 (DIN 2576)	65DSF515,9(230)	15.9	200

▽ LIVELLO MINIMO DI
SOMMERSIBILITA'
▽ MINIMUM
SUBMERSIBLE LEVEL



POSITION	DESCRIPTION	MATERIAL	WEIGHT [kgf]
A	SUBMERSIBLE PUMP	-	-
B	RUBBER JOINT DN65	NEOPRENE	-
F	THREADED ELBOW 90° DN65	G250 CAST-IRON	3
G	DOUBLE GUIDE RAIL COUPLING FLANGE DN65	G250 CAST IRON	-
H	DOUBLE GUIDE CUOPLING FEET DN65	G250 CAST-IRON	19
I	DOUBLE GUIDE RAIL UPPER SUPPORT 2"	G250 CAST-IRON	1.9
L	GUIDE RAIL 2"	GALVANIZED STEEL	-

DVS

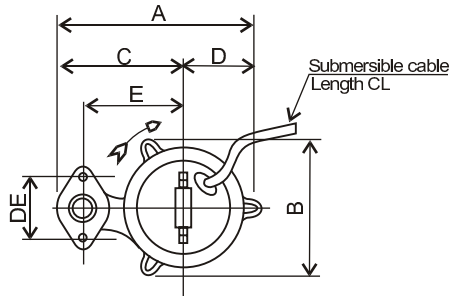


Figure 1

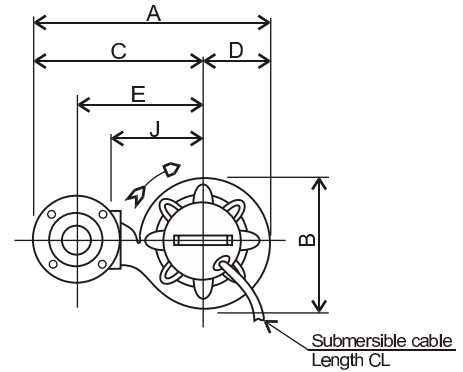
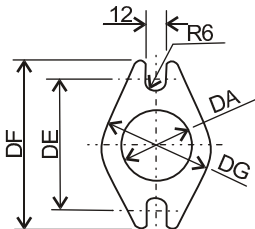
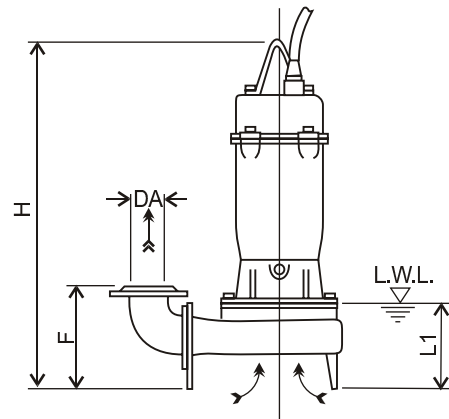
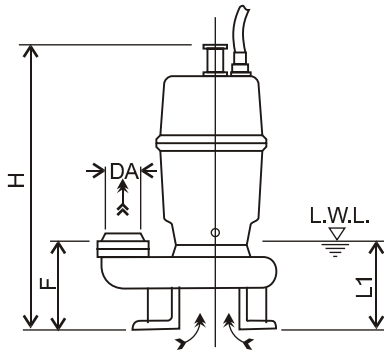
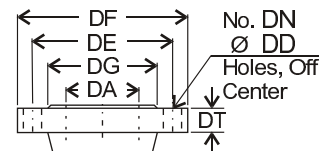


Figure 2



Oval Flange

Discharge flange dimensions [mm] - EN 1092-2							
Type	DA	DE	DF	DG	DT	DN	DD
Oval	50	96	114	76	-	-	-
Round	65	145	185	118	17	4	19
	80	160	200	132	19	8	



Round Flange

Dimensions [mm]																		
Size DA	Model	Fig.	Flange Type	Output [kW]	DA	A	B	C	D	E	F	H	DE	J	L1 (*)	CL [m]	Weight [kg]	
50	50DVS51.5	1	Oval	1.5	G2"	249	171	163	86	125	82	439	96	-	105	6	27	
65	65DVS51.5	2	Round	1.5	65	396	195	298	98	210	178	519	-	145	125		10	34
	2.2			160										155	50			
	3.7			185										155	59			
80	80DVS51.5	2	Round	1.5	80	411	195	313	98	220	183	519	-	145	125	10	35	
	2.2			160										155	51			
	3.7			200										155	60			

- (*) - L.W.L (Low Water Level)
- Operation is limited to 10 minutes at L.W.L.
- Operation is limited to 30 minutes with water level below top of motor

DVS with QDC

Figure 1

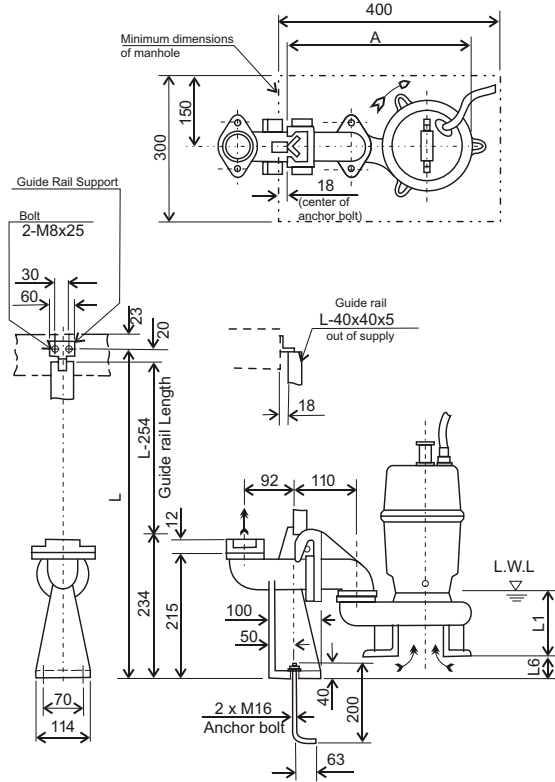
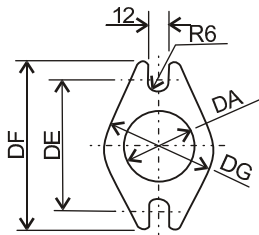
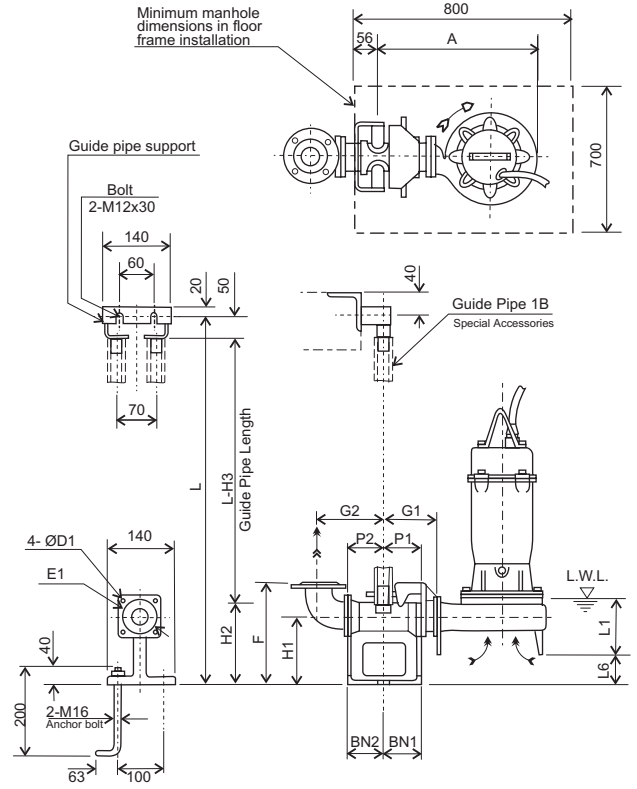
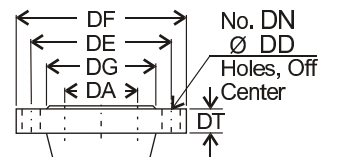


Figure 2



Oval Flange

Discharge flange dimensions [mm] - EN 1092-2							
Type	DA	DE	DF	DG	DT	DN	DD
Oval	50	96	114	76	-	-	-
Round	65	145	185	118	17	4	19
	80	160	200	132	19	8	19

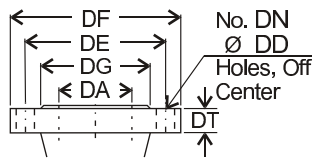
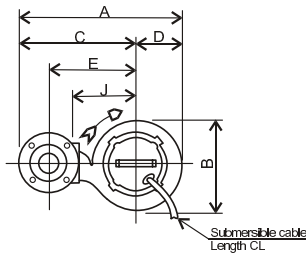
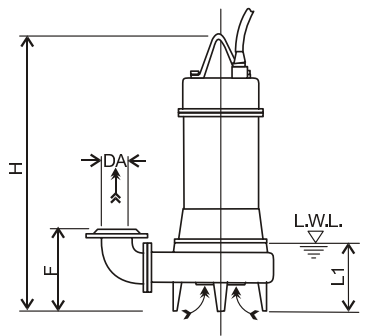


Round Flange

Dimensions [mm]																					
Size	Model	Fig.	Flange Type	Output [kW]	A	P1	P2	G1	G2	F	H1	H2	H3	L1 (*)	L6	BN1	BN2	D1	E1	QDC Model	Weight [kg]
50	50DVS51.5	1	Oval	1.5	311	-	-	-	-	-	-	-	-	105	58	-	-	-	-	LS50	9
65	65DVS51.5	2	Round	1.5	363	75	95	120	160	250	145	190	240	125	72	75	95	12	140	LM65	14
	2.2			394	155									49							
	3.7			394	125									72							
	3.7			394	155									49							
80	80DVS51.5	2	Round	1.5	363	75	95	120	170	255	145	190	240	125	72	75	95	12	140	LM65	14
	2.2			394	125									72							
	3.7			394	155									49							

- (*) - L.W.L (Low Water Level)
- Operation is limited to 10 minutes at L.W.L.
- Operation is limited to 30 minutes with water level below top of motor

DL

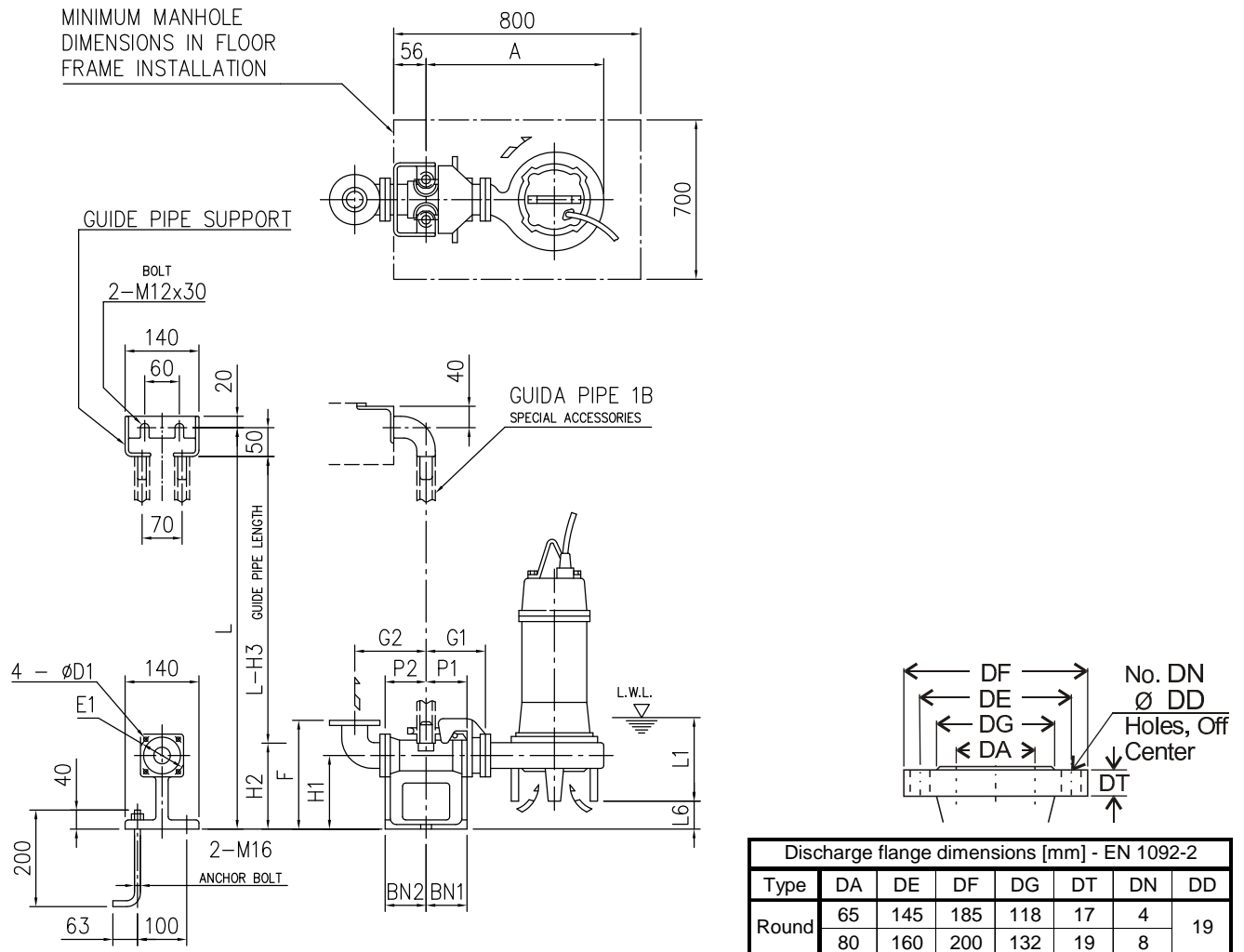


Discharge flange dimensions [mm] - EN 1092-2							
Type	DA	DE	DF	DG	DT	DN	DD
Round	65	145	185	118	17	4	19
	80	160	200	132	19	8	
	100	180	220	156	21		
	150	240	285	211	23		23
	200	295	340	266	25		
	250	350	395	319	25		
	300	400	445	370	24	12	

Dimensions [mm]													CL [m]	Weight [kg]
Size DA	Model	Output [kW]	A	B	C	D	E	F	H	J	L1 (*)			
65	65DL51.5	1.5	497	291	353	144	265	200	576	200	140	10	52	
80	80DL51.5	1.5	524	292	378	146	285	220	597	210	165		55	
	80DL52.2	2.2	542	308	388	154	295		654	220			67	
	80DL53.7	3.7	567	328	403	164	310	687	235	75				
	80DLC55.5	5.5	618	379	428	190	335	307	753	260	134			
	80DLC57.5	7.5	648	399	448	200	355	305	751	280	148			
100	100DL53.7	3.7	614	335	445	169	340	250	706	235	185		79	
	100DLB55.5	5.5	646	369	460	186	355	323	768	250	123			
	100DLC55.5	5.5	660	379	470	190	365	322	753	260	134			
	100DLB57.5	7.5	673	385	480	193	375	323	760	270	141			
	100DLC57.5	7.5	690	399	490	200	385	320	751	280	148			
	100DL511	11	701	402	500	201	395	323	859	290	180			
	100DL515	15	741	441	520	221	415	330	954	310	230			
	100DL518.5	18.5							958		285			
150	150DL55.5	5.5	750	398	550	200	410	381	799	280	245	146		
	150DL57.5	7.5	780	418	570	210	430	377	784	300		158		
	150DL511	11	810	438	590	220	450		883	320		199		
	150DL515	15						972	237					
	150DL518.5	18.5	848	476	610	238	470	381	979	340		300		
	150DL522	22										325		
	150DL530	30	912	520	650	262	510	468	1284	360		486		
	150DL537	37							1404			494		
	150DL545	45							350					
200	200DL55.5	5.5	832	430	615	217	450	414	826	300		285	160	
	200DL57.5	7.5	863	453	635	228	470	410	809	320			176	
	200DL511	11							908				212	
	200DL515	15	896	479	655	241	490	411	995	340	260			
	200DL518.5	18.5									305			
	200DL522	22	932	512	675	257	510	415	1001	360	330			
	200DL530	30									486			
	200DL537	37									937		520	262
	200DL545	45	370											
250	250DL57.5	7.5	969	525	700	269	500	622	904	370	400		260	
	250DL511	11	993	541	720	273	520	634	1000	390			320	
	250DL515	15											1086	380
	250DL518.5	18.5	1007	549	730	277	530	646	1089	400		420		
	250DL522	22										440		
	250DL530	30	1125	660	790	335	590	706	1336	460		458		
	250DL537	37										1475	522	
	250DL545	45										540		
	300	300DL511	11	1100	588	798	302	575	671	1050		420	450	365
300DL515		15	1131							440				
300DL518.5		18.5	1135	618	818	317	595	668	1336	460		440		
300DL522		22										465		
300DL530		30	1172	660	838	335	615	726	1475	538	458			
300DL537		37									522			
300DL545		45									540			

(*) -L.W.L (Low Water Level)
 -Operation is limited to 10 minutes at L.W.L.
 -Operation is limited to 30 minutes with water level below top of motor

65DL, 80DL (1.5÷3.7 kW) with QDC

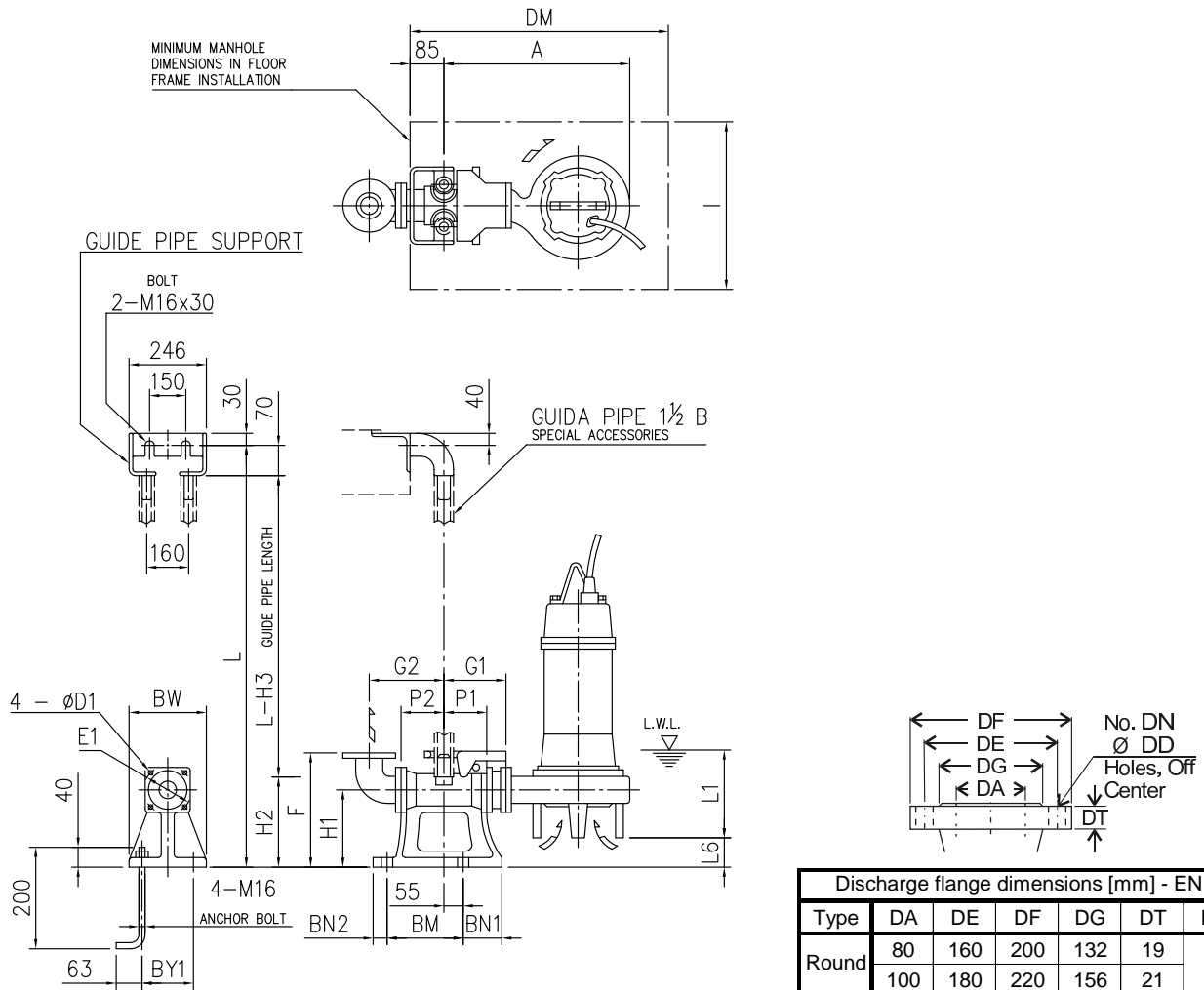


Type	DA	DE	DF	DG	DT	DN	DD
Round	65	145	185	118	17	4	19
	80	160	200	132	19	8	19

Dimensions [mm]																			
Size DA	Model	Output [kW]	A	P1	P2	G1	G2	F	H1	H2	H3	L1 (*)	L6	BN1	BN2	D1	E1	QDC	
																		Model	Weight [kg]
65	65DL51.5	1.5	464	75	95	120	160	250	145	190	240	140	50	75	95	12	140	LM65	14
	80DL51.5	1.5	481		90	125	165	285	175	230	280	165	65		90	15	155	LM80	17
80	80DL52.2	2.2	499	75	90	125	165	285	175	230	280	165	65	75	90	15	155	LM80	17
	80DL53.7	3.7	524		90	125	165	285	175	230	280	165	65		90	15	155	LM80	17

- L.W.L (Low Water Level)
- (*) - Operation is limited to 10 minutes at L.W.L.
- Operation is limited to 30 minutes with water level below top of motor

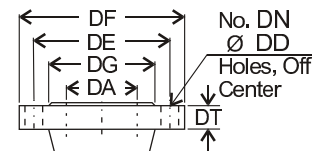
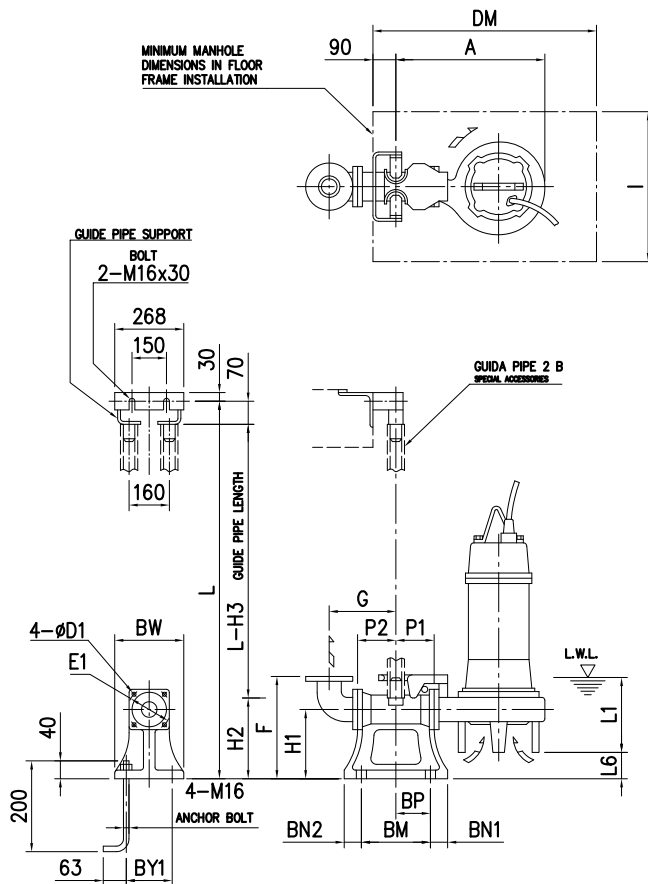
80DL (5.5÷7.5), 100DL with QDC



Dimensions [mm]																												
Size DA	Model	Output [kW]	A	P1	P2	G1	G2	F	H1	H2	H3	L1	L6	BN1	BN2	BM	BY1	BW	DM	I	QDC							
																					D1	E1	Model	Weight [kg]				
80	80DLC55.5	5.5	635		120		195	350		255	325	205	43									15	155	LL80	44			
	80DLC57.5	7.5	665										45									19	175	LL100	46			
100	100DL53.7	3.7	589	105	105	185	210	365	240	265	335	185	115	100	40	220	180	230	800	700		19	175	LL100	46			
	100DLB55.5	5.5	621		42								15									155	LL80	44				
	100DLC55.5	5.5	635		120	225	210			205	43													19	175	LL100	46	
	100DLB57.5	7.5	648		105						42													15	155	LL80	44	
	100DLC57.5	7.5	665		120	225	210			205	45																	
	100DL511	11	676		105	210	205			42																		
	100DL515	15	716		105	210	205			42																		
	100DL518.5	18.5	716		105	210	205			35																		

- (*) - L.W.L (Low Water Level)
- Operation is limited to 10 minutes at L.W.L.
- Operation is limited to 30 minutes with water level below top of motor

150DL, 200DL with QDC

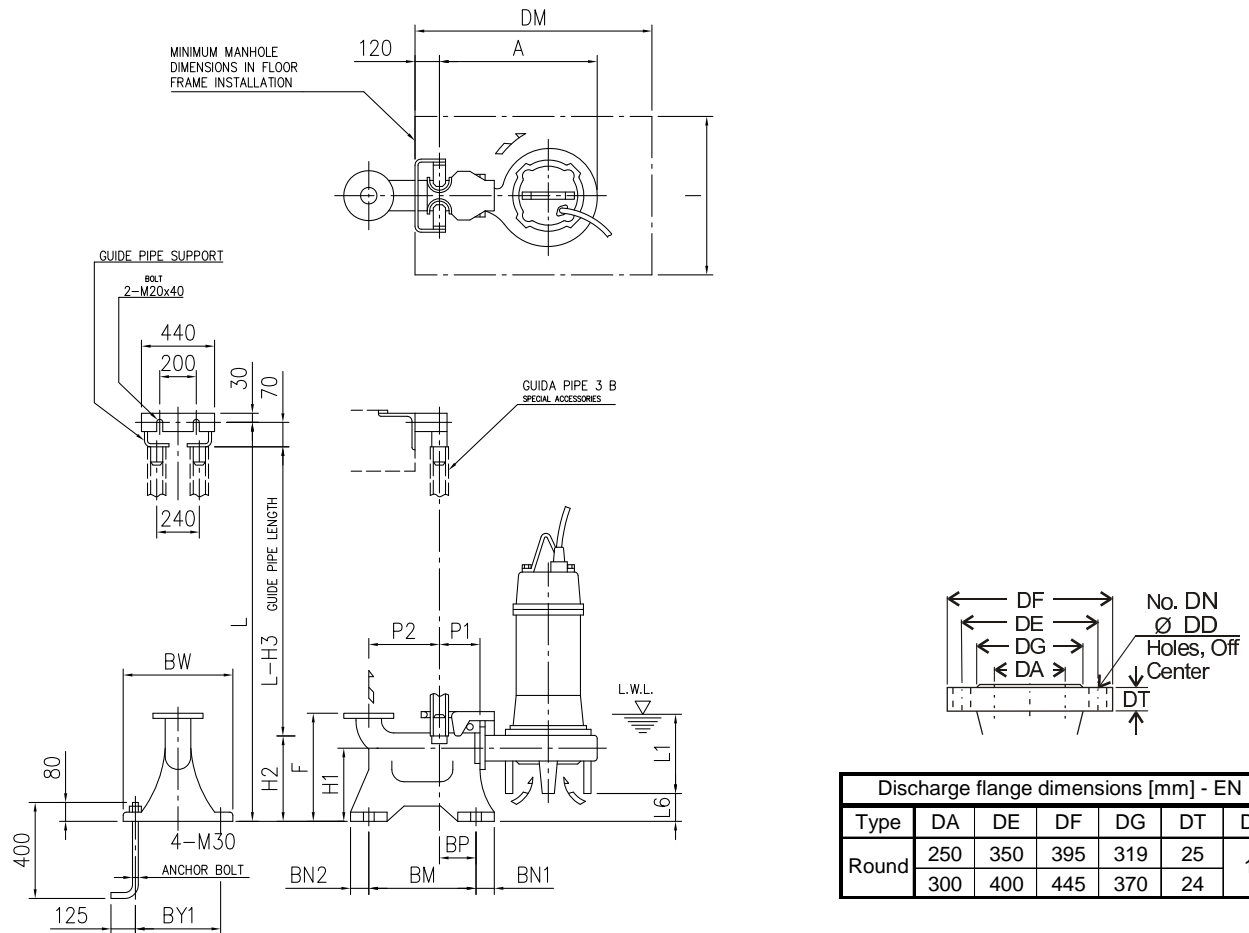


Type	DA	DE	DF	DG	DT	DN	DD
Round	150	240	285	211	23	8	23
	200	295	340	266			

Dimensions [mm]																								
Size DA	Model	Output [kW]	A	P1	P2	G	F	H1	H2	H3	L1 (*)	L6	BN1	BN2	BM	BP	BY1	BW	DM	I	D1	E1	QDC	
																							Model	Weight [kg]
150	150DL55.5	5.5	635	155	195	325	450	290	362	432	245	69	60	60	370	165	280	330	1000	700	210	LL125	65	
	150DL57.5	7.5	665									73												
	150DL511	11	695									73												
	150DL515	15	733									73												
	150DL518.5	18.5	733									73												
	150DL522	22	733									73												
	150DL530	30	777									288												
	150DL537	37	777									296												
	150DL545	45	777									296												
	200	200DL55.5	5.5									672												205
200DL57.5		7.5	703	85																				
200DL511		11	736	84																				
200DL515		15	736	84																				
200DL518.5		18.5	772	80																				
200DL522		22	772	80																				
200DL530		30	777	288																				
200DL537		37	777	296																				
200DL545		45	777	296																				

(*) - L.W.L (Low Water Level)
 - Operation is limited to 10 minutes at L.W.L.
 - Operation is limited to 30 minutes with water level below top of motor

250DL, 300DL with QDC

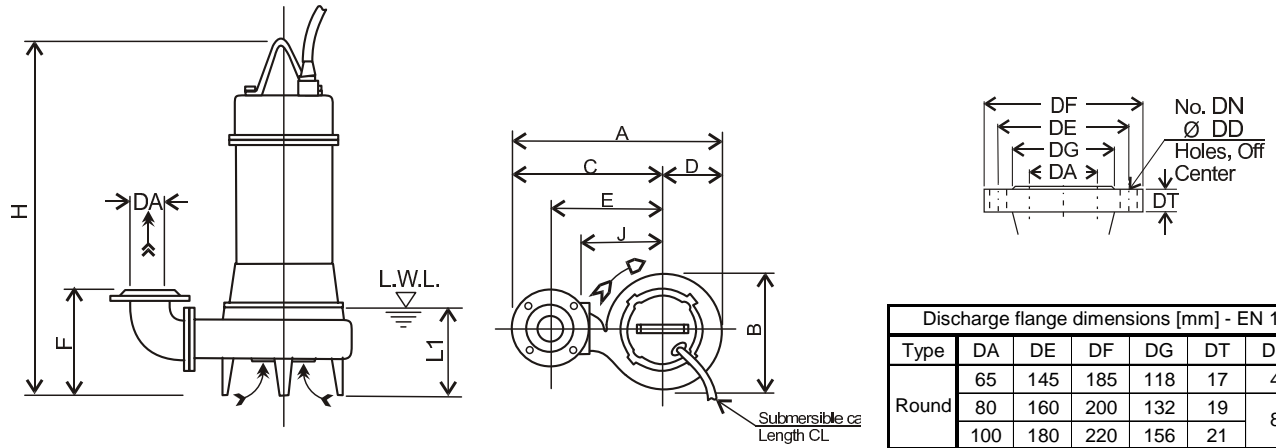


Type	DA	DE	DF	DG	DT	DN	DD
Round	250	350	395	319	25	12	23
	300	400	445	370	24		

Dimensions [mm]																					
Size DA	Model	Output [kW]	A	P1	P2	F	H1	H2	H3	L1 (*)	L6	BN1	BN2	BM	BP	BY1	BW	DM	I	QDC	
																				Model	Weight [kg]
250	250DL57.5	7.5	834	195	435	700	350	440	510	400	58	70	70	650	500	560	1200	900	LL250	150	
	250DL511	11	858								46										
	250DL515	15	872								34										
	250DL518.5	18.5	872								34										
	250DL522	22	990								292										300
	250DL530	30	990								319										300
	250DL537	37	990								319										300
250DL545	45	990	319	300																	
300	300DL511	11	917	465	800	430	550	620	450	109	70	70	680	580	640	1200	900	LL300	200		
	300DL515	15	952							112											
	300DL518.5	18.5	952							112											
	300DL522	22	990							292										300	
	300DL530	30	990							292										300	
	300DL537	37	990							319										300	
	300DL545	45	990							319										300	

(*) - L.W.L (Low Water Level)
 - Operation is limited to 10 minutes at L.W.L.
 - Operation is limited to 30 minutes with water level below top of motor

DL W/C

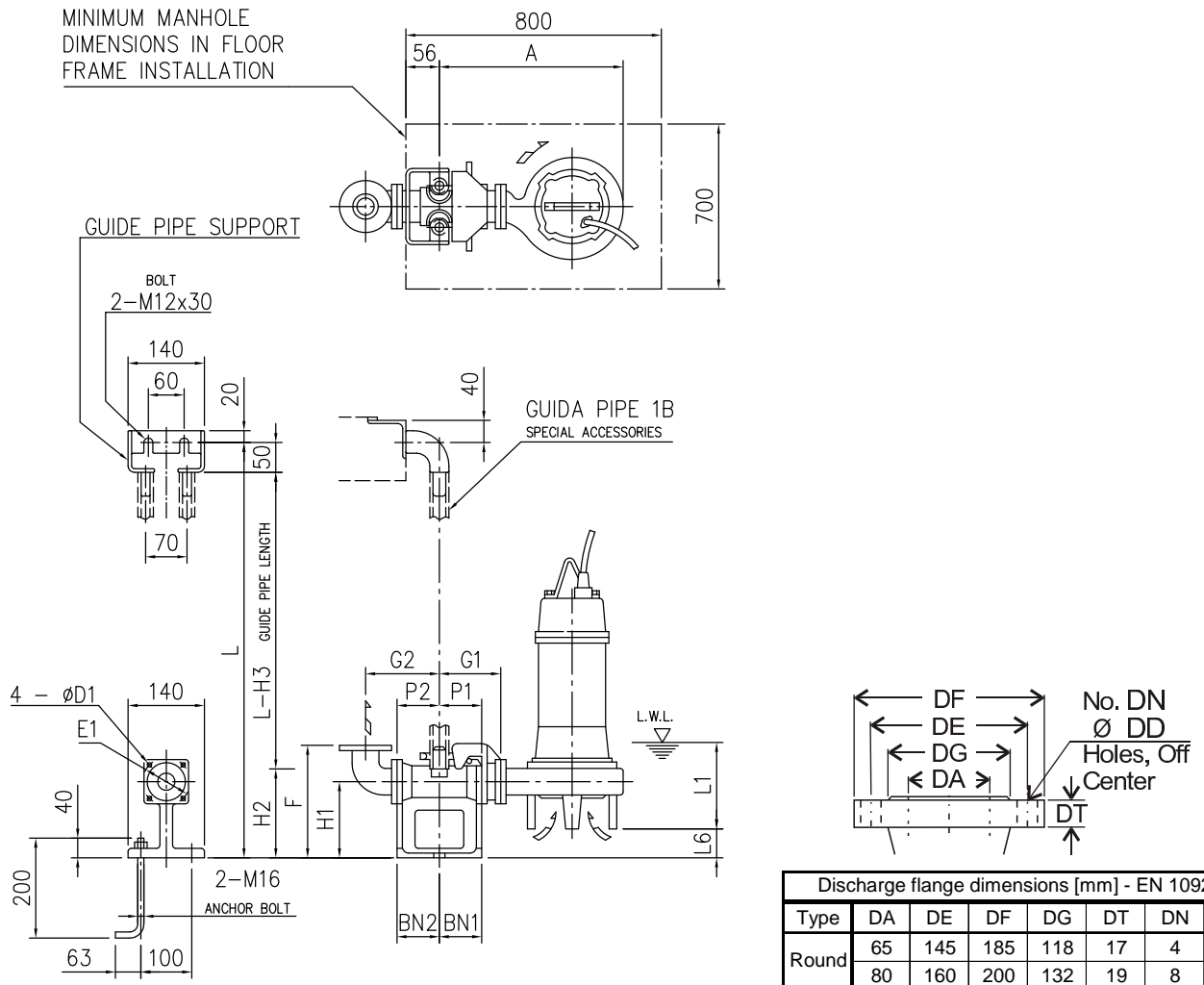


Type	DA	DE	DF	DG	DT	DN	DD
Round	65	145	185	118	17	4	19
	80	160	200	132	19	8	
	100	180	220	156	21		

Size DA	Model	Output [kW]	A	B	C	D	E	F	H	J	L1 (*)	CL [m]	Weight [kg]
65	65DL51.5W/C	1.5	497	291	353	144	265	200	576	200	140	10	52
80	80DL51.5W/C	1.5	524	292	378	146	285	220	597	210	165		55
	80DL52.2W/C	2.2	542	308	388	154	295		654	220			67
	80DL53.7W/C	3.7	567	328	403	164	310		687	235			75
100	100DL53.7W/C	3.7	614	335	445	169	340	250	706	235	185		79
	100DLB55.5W/C	5.5	646	369	460	186	355	323	768	250			205
	100DLB57.5W/C	7.5	673	385	480	193	375		760	270		141	

- (*)
- L.W.L. (Low Water Level)
 - Operation is limited to 10 minutes at L.W.L.
 - Operation is limited to 30 minutes with water level below top of motor

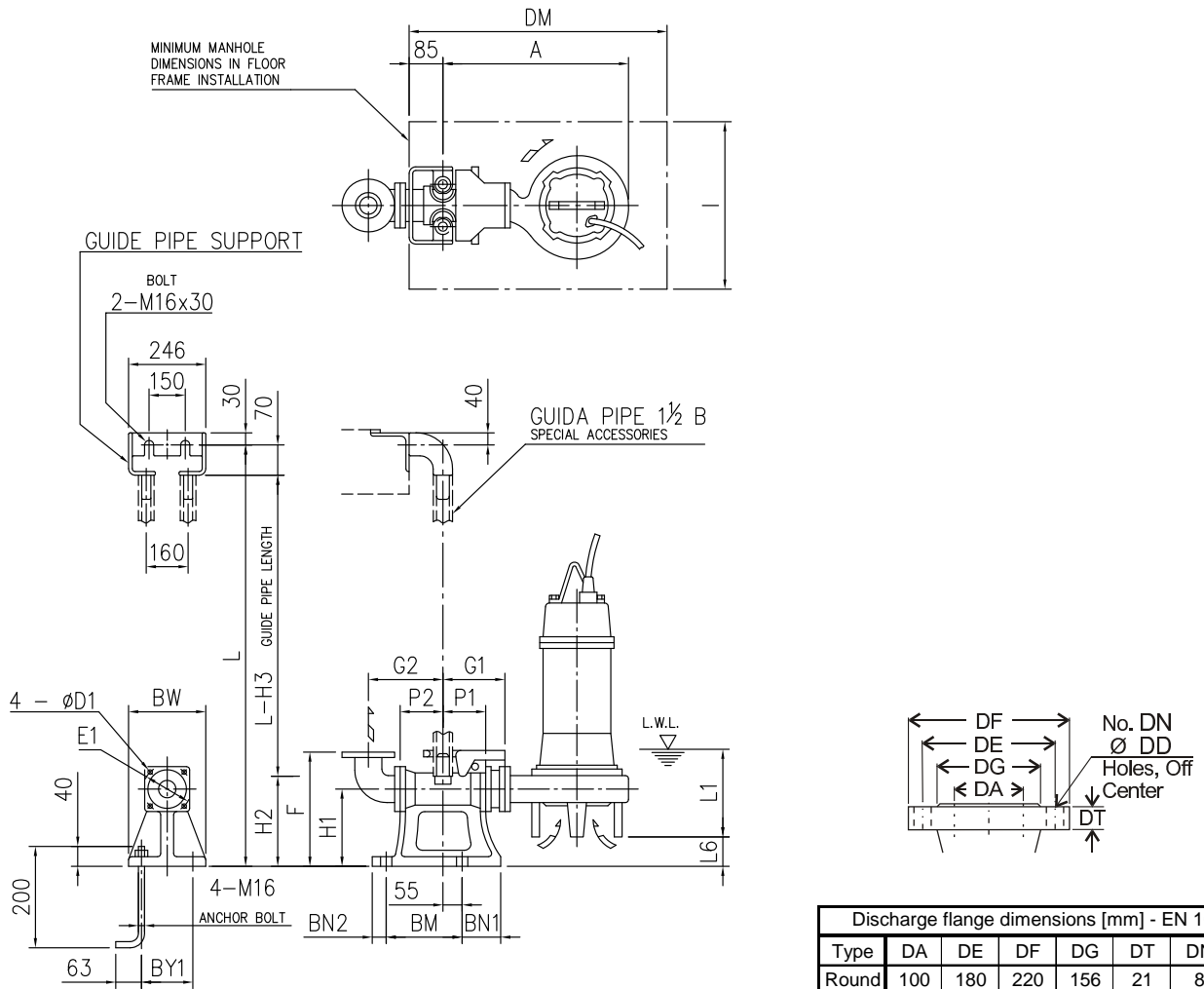
65DL W/C, 80DL W/C (1.5÷3.7 kW) with QDC



Dimensions [mm]																				
Size DA	Model	Output [kW]	A	P1	P2	G1	G2	F	H1	H2	H3	L1 (*)	L6	BN1	BN2	D1	E1	QDC		
																		Model	Weight [kg]	
65	65DL51.5W/C	1.5	464	75	95	120	160	250	145	190	240	140	50	75	95	12	140	LM65	14	
80	80DL51.5W/C	1.5	481		90	125	165	285	175	230	280	165	65		90	15	155	LM80	17	
	80DL52.2W/C	2.2	499																	
	80DL53.7W/C	3.7	524																	

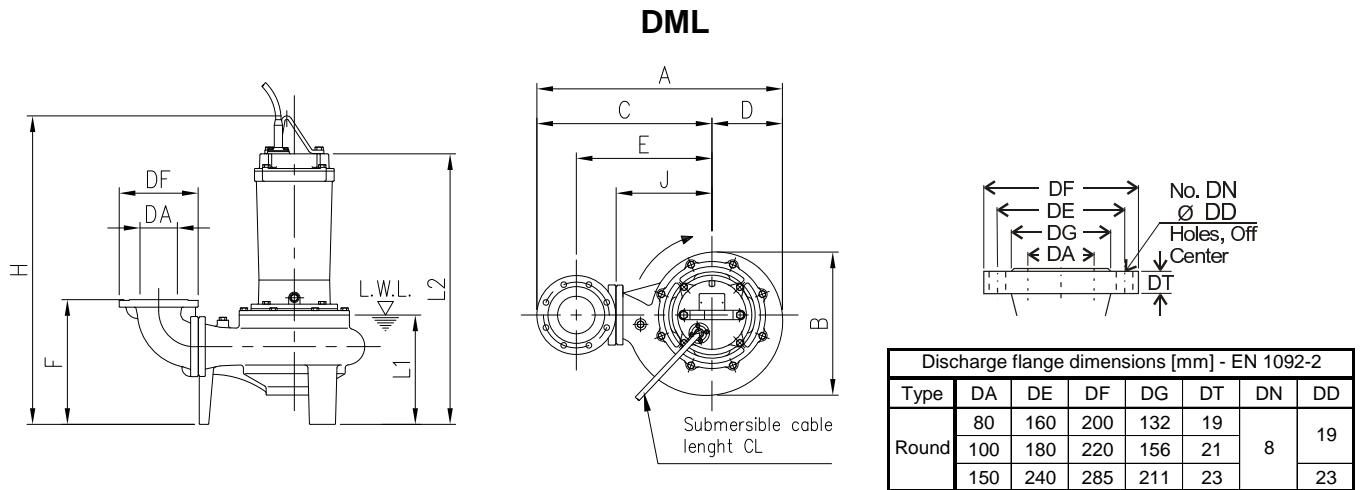
- L.W.L (Low Water Level)
- (*) - Operation is limited to 10 minutes at L.W.L.
- Operation is limited to 30 minutes with water level below top of motor

100DL W/C with QDC



Dimensions [mm]																								
Size DA	Model	Output [kW]	A	P1	P2	G1	G2	F	H1	H2	H3	L1 (*)	L6	BN1	BN2	BM	BY1	BW	DM	I	D1	E1	QDC Model	QDC Weight [kg]
100	100DL53.7W/C	3.7	589									185	115											
	100DLB55.5W/C	5.5	621	105	105	185	210	365	240	265	335	205	42	100	40	220	180	230	800	700	19	175	LL100	46
	100DLB57.5W/C	7.5	648																					

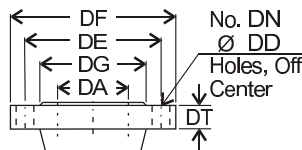
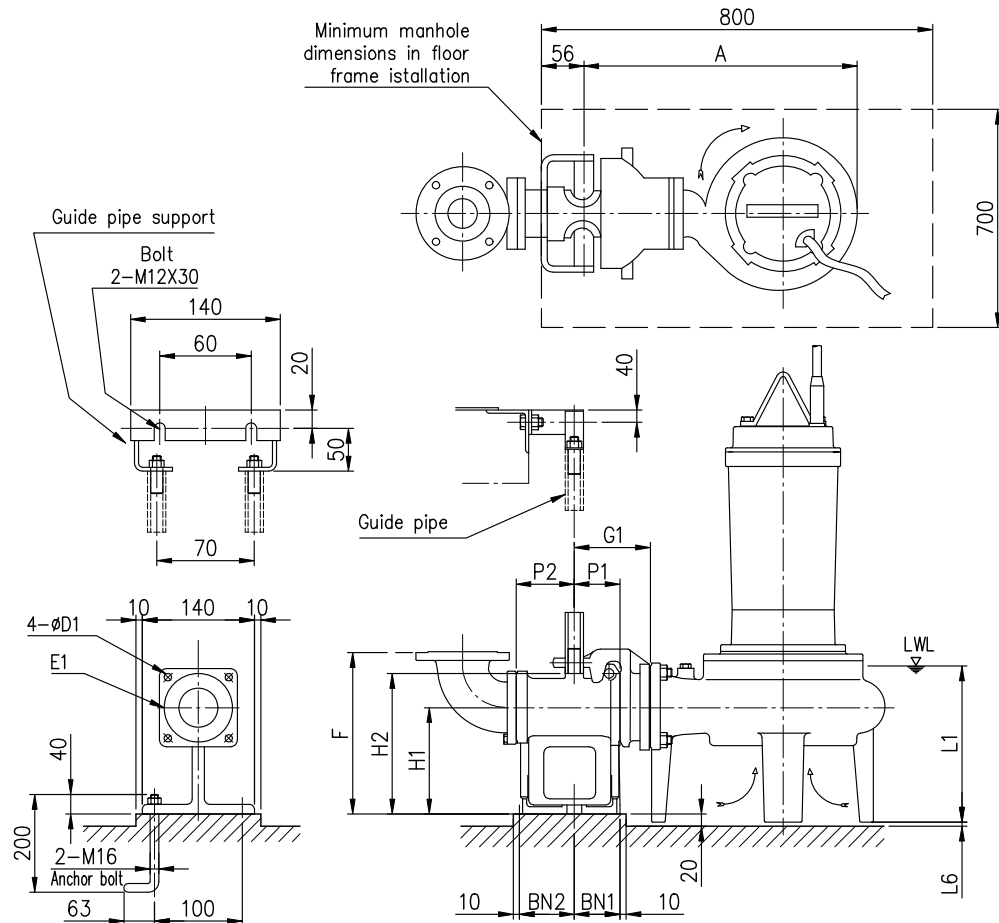
(*) - L.W.L (Low Water Level)
 - Operation is limited to 10 minutes at L.W.L.
 - Operation is limited to 30 minutes with water level below top of motor



Dimensions [mm]																			
Size DA	Model	Output [kW]	A	B	C	D	E	F	H	J	L1 (*)	L2	CL [m]	Weight [kg]					
80	80DML52.2	2.2	542	320	385	157	285	308	668	210	279	547	10	80					
	80DML53.7	3.7			425		315	313				727		627	87				
100	100DML53.7	3.7	582	381	470	188	360	339	824	255	310	724	10	89					
	100DML55.5	5.5	658		530		221	420				355		938	315	329	778	121	
	100DML57.5	7.5	751		455		530	221				420		355	938	315	329	778	125
	100DML511	11	751		455		530	221				420		355	938	315	329	778	160
	100DML515	15	795		497		550	245				440		358	1021	335	342	841	166
	100DML522	22	795		497		550	245				440		358	1021	335	342	841	226
150	150DML55.5	5.5	715.5	381	527.5	188	385	369	824	255	310	724	10	127					
	150DML57.5	7.5												132					
	150DML511	11	808.5	455	587.5	221	445	385	938	315	329	778		166					
	150DML515	15												172					
	150DML522	22	852.5	497	607.5	245	465	388	1021	335	342	841		232					

- (*)
- L.W.L (Low Water Level)
 - Operation is limited to 10 minutes at L.W.L.
 - Operation is limited to 30 minutes with water level below top of motor

80DML, 100DML (3.7 kW) with QDC

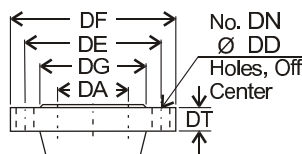
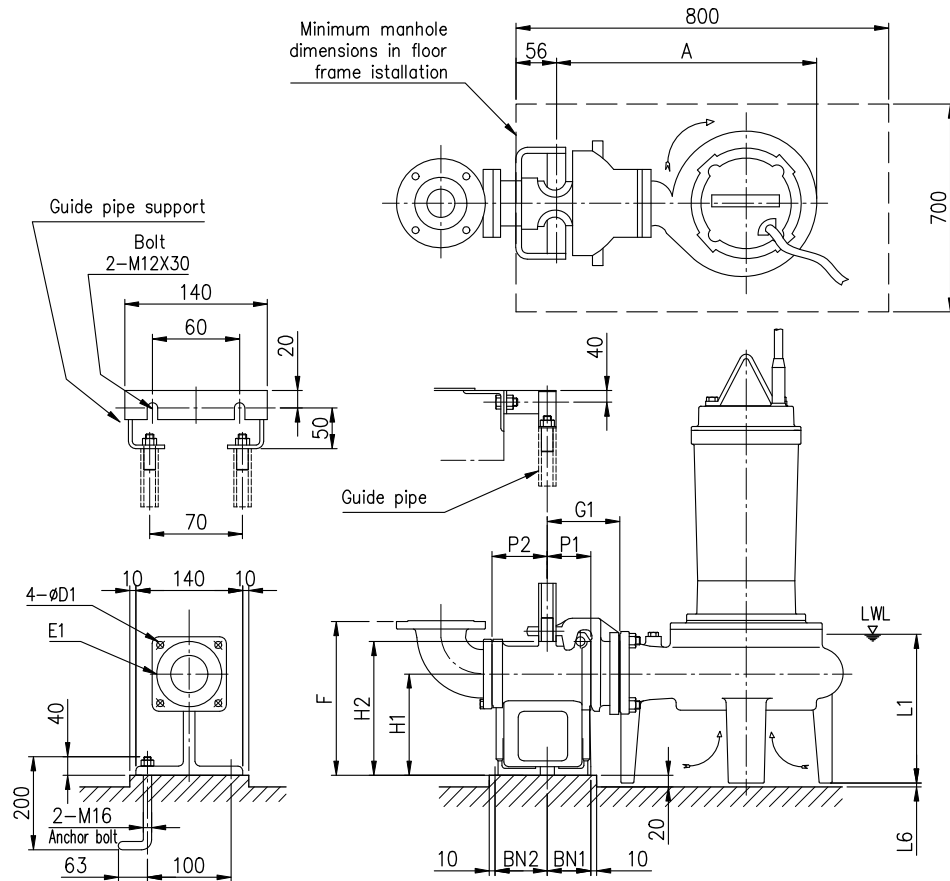


Discharge flange dimensions [mm] - EN 1092-2							
Type	DA	DE	DF	DG	DT	DN	DD
Round	80	160	200	132	19	8	19
	100	180	220	156	21		

Dimensions [mm]																		
Size DA	Model	Output [kW]	A	P1	P2	G1	G2	F	H1	H2	L1 (*)	L6	BN1	BN2	D1	E1	QDC	
																	Model	Weight [kg]
80	80DML52.2	2.2	492	75	90	125	165	295	175	230	279	7	75	90	15	155	LM80	17
	80DML53.7	3.7																
100	100DML53.7	3.7					195	300										

- (*) - L.W.L (Low Water Level)
- Operation is limited to 10 minutes at L.W.L.
- Operation is limited to 30 minutes with water level below top of motor

100DML (5.5÷22 kW), 150DML with QDC

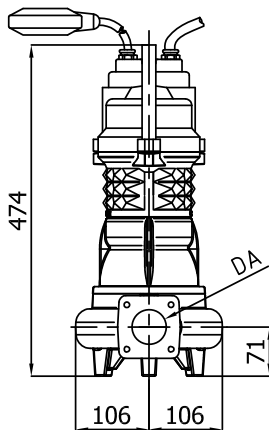
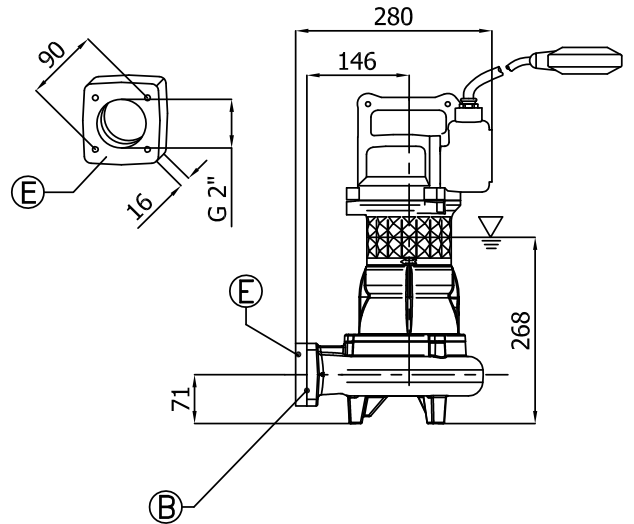
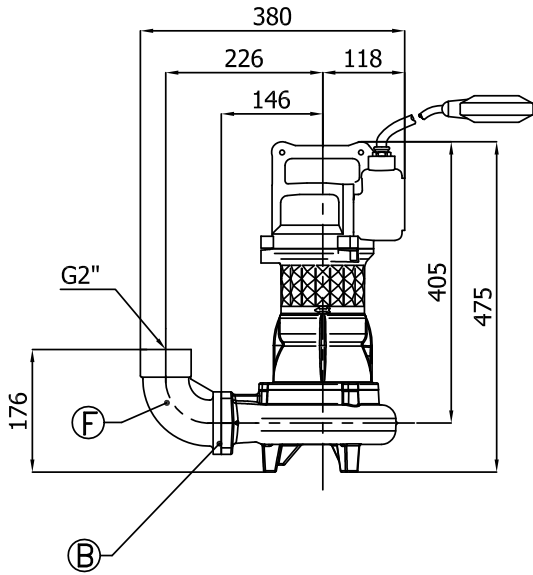


Discharge flange dimensions [mm] - EN 1092-2							
Type	DA	DE	DF	DG	DT	DN	DD
Round	100	180	220	156	21	8	19
	150	240	285	211	23		23

Dimensions [mm]																																	
Size DA	Model	Output [kW]	A	P1	P2	G1	G2	F	H1	H2	L1 (*)	L6	BN1	BN2	BM	BY1	BW	DM	I	D1	E1	QDC Model	Weight [kg]										
100	100DML55.5	5.5	628				210	370				310	31						800														
	100DML57.5	7.5										329	15						1000														
	100DML511	11	721									105	105						185						240	265	342	12	700	19	175	LL100	46kg
	100DML515	15																															
	100DML522	22	765									800																					
150	150DML55.5	5.5	628				235	400				310	31					800															
	150DML57.5	7.5										329	15					1000															
	150DML511	11	721									105	105					185						240	265	342	12	700	19	175	LL100	46kg	
	150DML515	15																															1000
	150DML522	22	765									800																					

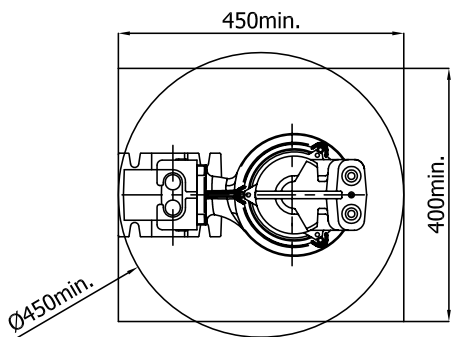
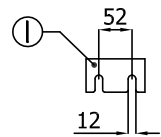
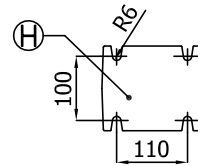
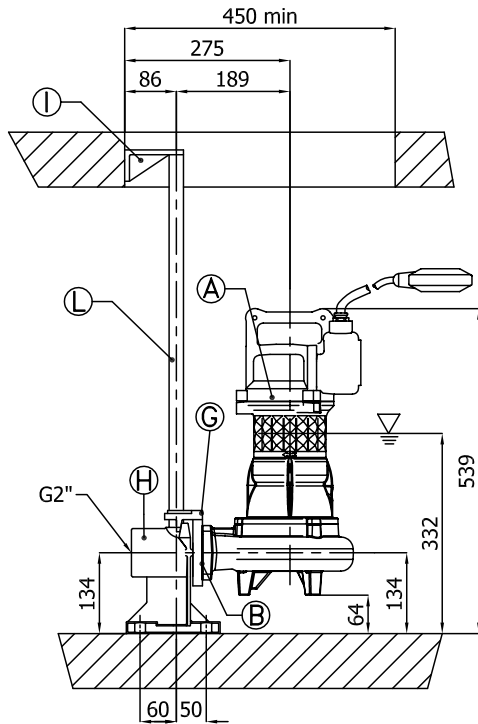
(*) - L.V.L (Low Water Level)
 - Operation is limited to 10 minutes at L.W.L.
 - Operation is limited to 30 minutes with water level below top of motor

50DMLF (1.1 kW)



Size DA	Model	Output [kW]	Weight [kgf]
50	50DMLF51,1M(120)	1,1	31

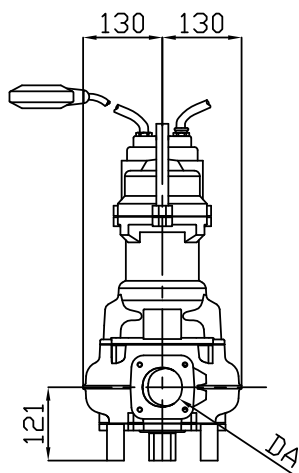
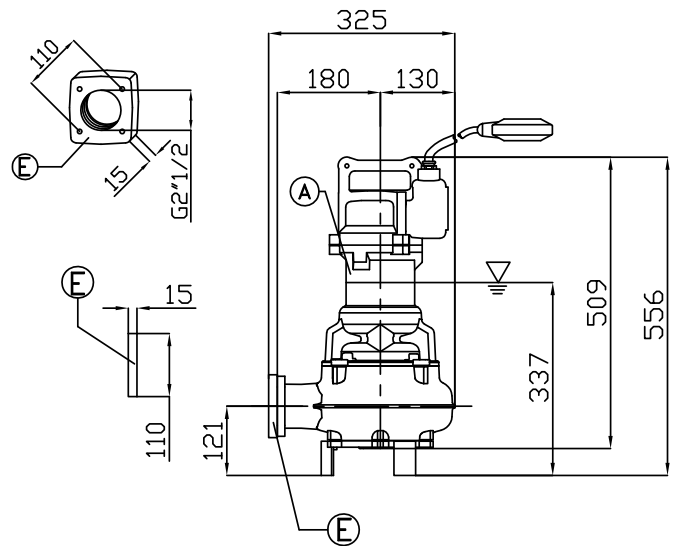
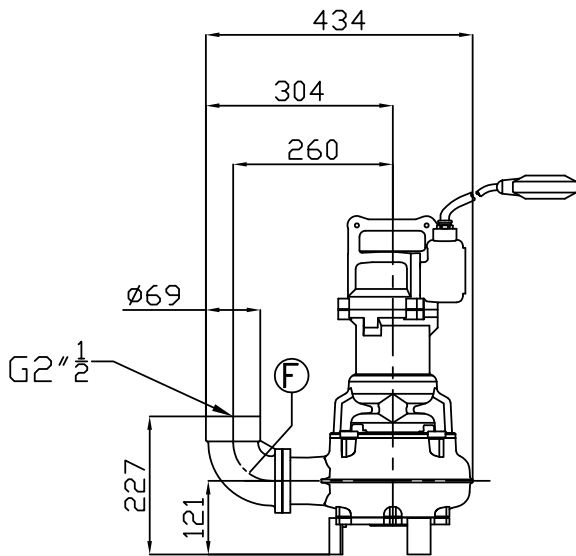
▽ LIVELLO MINIMO DI
 ≡ SOMMERSIBILITA'
 ▽ MINIMUM
 ≡ SUBMERSIBLE LEVEL



▽ LIVELLO MINIMO DI
SOMMERSIBILITA'
▽ MINIMUM
SUBMERSIBLE LEVEL

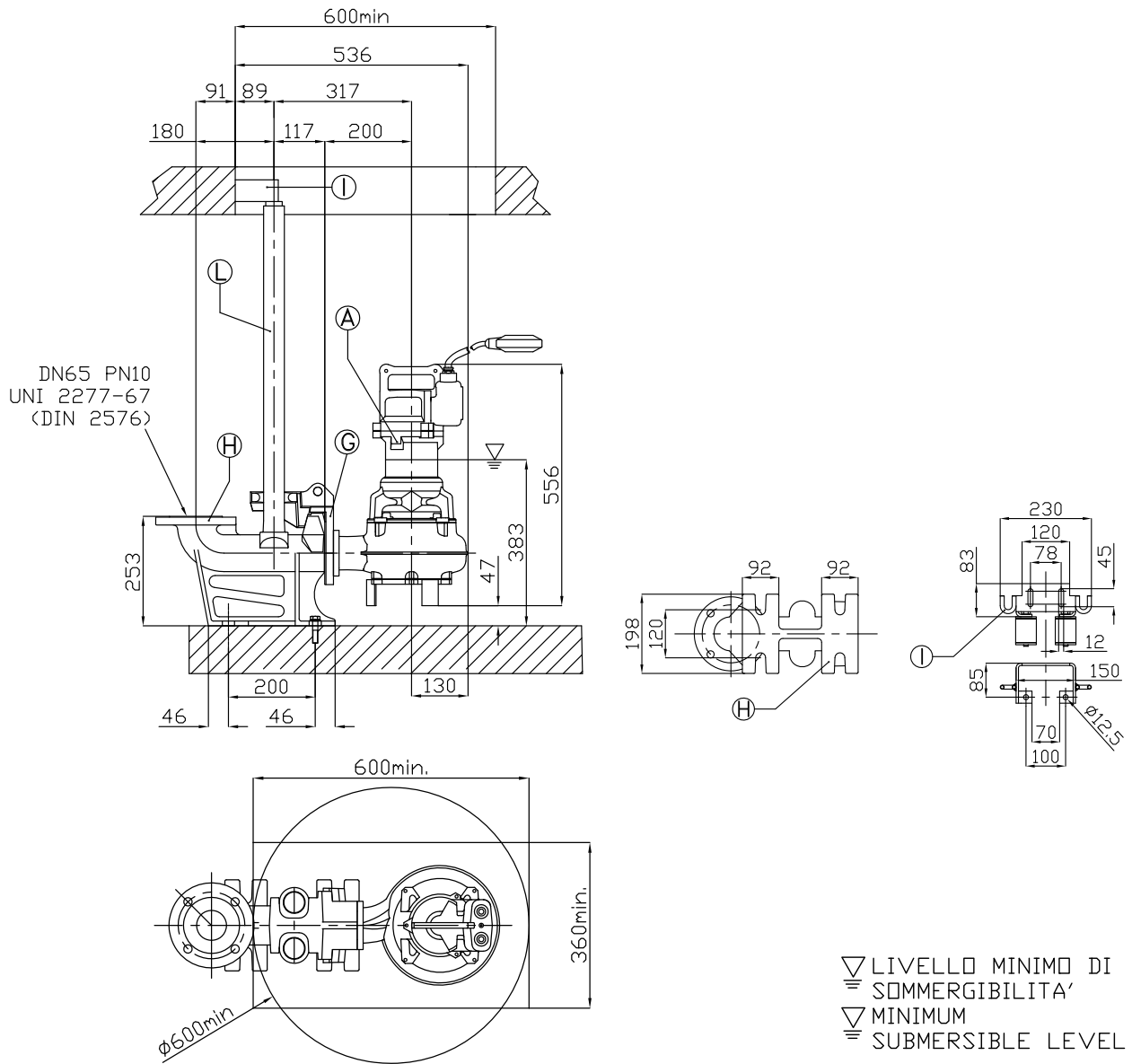
POSITION	DESCRIPTION	MATERIAL	WEIGHT [kgf]
A	SUBMERSIBLE PUMP	-	-
B	RUBBER JOINT DN50	NEOPRENE	-
E	THREADED FLANGE 2"	G 250 CAST-IRON	1
F	THREADED ELBOW 90° 2"	G 250 CAST-IRON	3
G	DOUBLE GUIDE RAIL COUPLING FLANGE DN50	G250 CAST IRON	1.5
H	DOUBLE GUIDE CUOPLING FEET DN50	G 250 CAST-IRON	6
I	DOUBLE GUIDE RAIL UPPER SUPPORT 3/4	G 250 CAST-IRON	1.1
L	GUIDE RAIL 3/4	GALVANIZED STEEL	-

65DMLF (1.1÷1.8 kW)



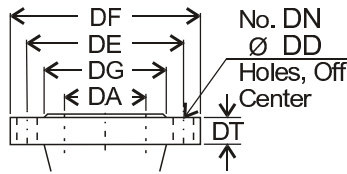
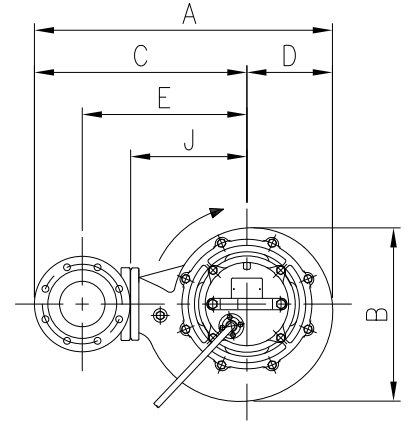
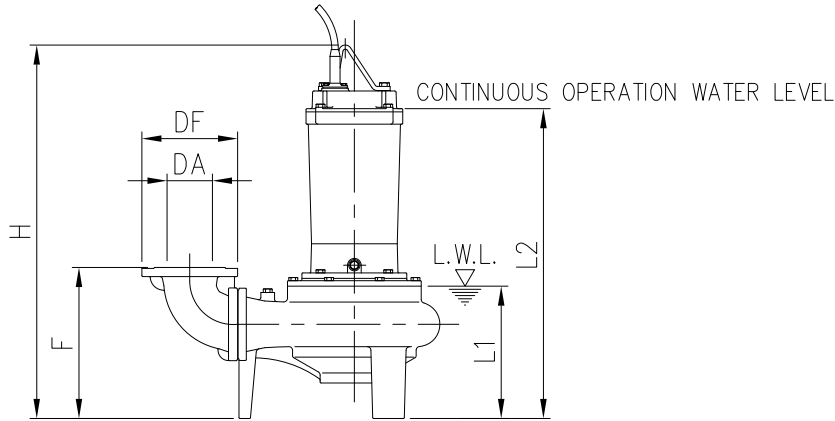
Size DA	Model	Output [kW]	Weight [kgf]
65	65DMLF51,1M(135)	1,1	42
	65DMLF51,8M(125)	1,8	45

▽ LIVELLO MINIMO DI
 ≡ SOMMERSIBILITA'
 ▽ MINIMUM
 ≡ SUBMERSIBLE LEVEL



POSITION	DESCRIPTION	MATERIAL	WEIGHT [kgf]
A	SUBMERSIBLE PUMP	-	-
B	RUBBER JOINT DN65	NEOPRENE	-
E	THREADED FLANGE 2" 1/2	G250 CAST-IRON	1
F	THREADED ELBOW 90° 2" 1/2	G250 CAST-IRON	3
G	DOUBLE GUIDE RAIL COUPLING FLANGE DN65	G250 CAST IRON	4
H	DOUBLE GUIDE CUOPLING FEET DN65	G250 CAST-IRON	19
I	DOUBLE GUIDE RAIL UPPER SUPPORT 2"	GALVANIZED STEEL	1.9
L	GUIDE RAIL 2"	GALVANIZED STEEL	-

DMLV

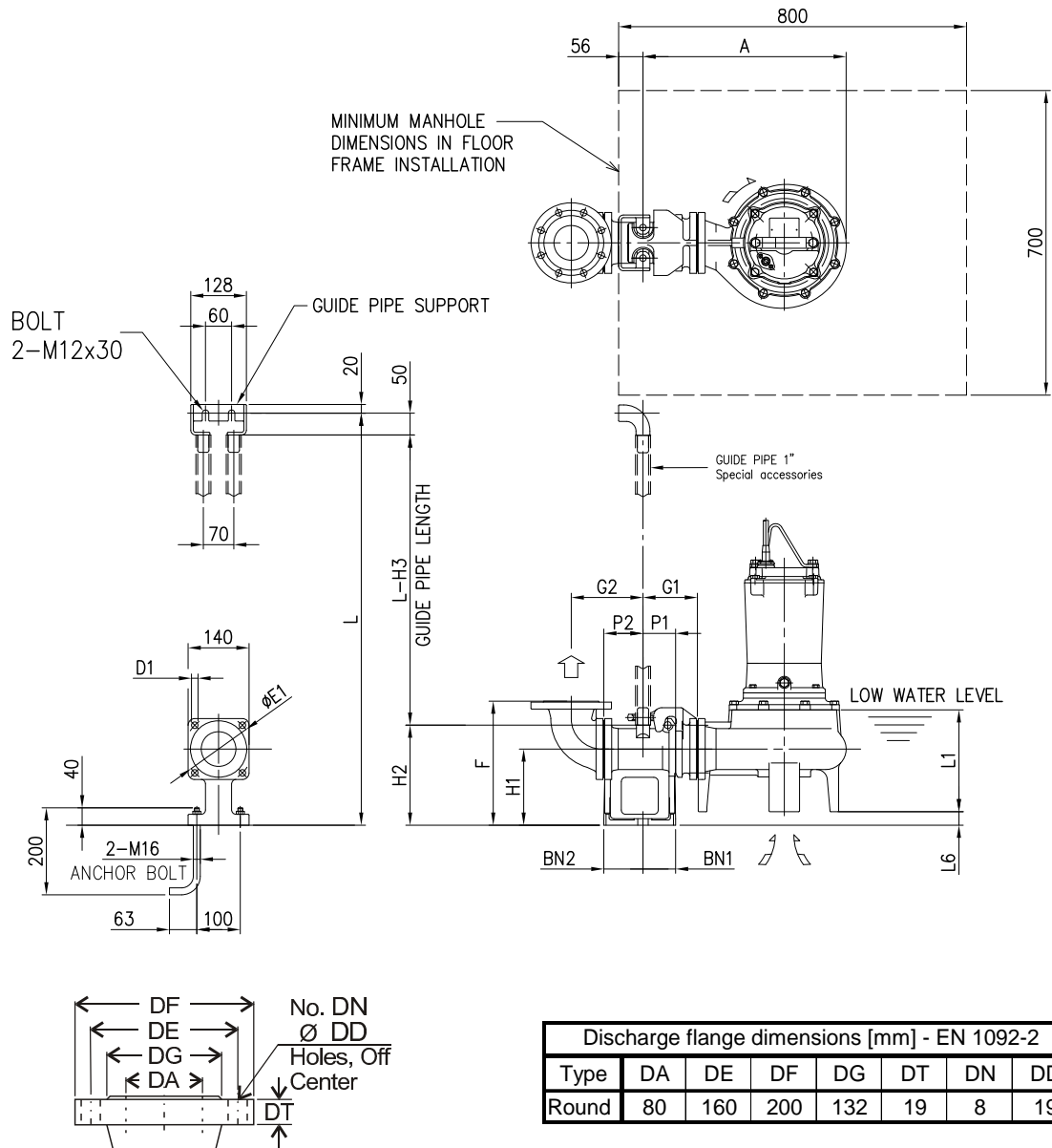


Discharge flange dimensions [mm] - EN 1092-2							
Type	DA	DE	DF	DG	DT	DN	DD
Round	80	160	200	132	19	8	19
	100	180	220	156	21		

Dimensions [mm]														
Size DA	Model	Output [kW]	A	B	C	D	E	F	H	J	L1 (*)	L2	CL [m]	Weight [kg]
80	80DMLV52.2	2.2	518	285	375	143	275	254	660	200	200	560	10	70
	80DMLV53.7	3.7										620		80
100	100DMLV55.5	5.5	584	308	430	154	320	305	860	215	250	760	10	105
	100DMLV57.5	7.5										641		352
	100DMLV511	11	728	426	515	213	405		970	300		810		150
	100DMLV515	15										810		180
	100DMLV522	22										865		235

- (*)
- L.W.L (Low Water Level)
 - Operation is limited to 10 minutes at L.W.L.
 - Operation is limited to 30 minutes with water level below top of motor

80DMLV with QDC

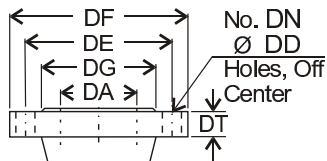
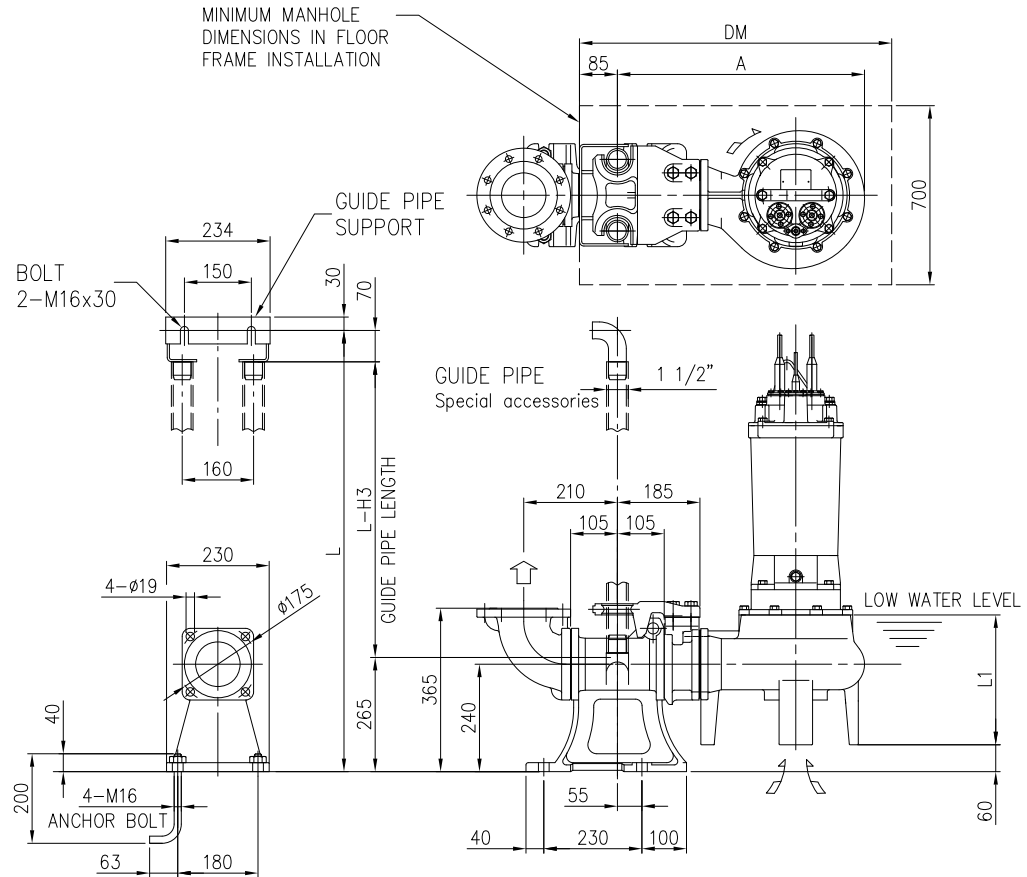


Discharge flange dimensions [mm] - EN 1092-2							
Type	DA	DE	DF	DG	DT	DN	DD
Round	80	160	200	132	19	8	19

Dimensions [mm]																			
Size DA	Model	Output [kW]	Dimensions [mm]														QDC		
			A	P1	P2	G1	G2	F	H1	H2	H3	L1 (*)	L6	BN1	BN2	D1	E1	Model	Weight [kg]
80	80 DMLV 52.2	2.2	468	75	90	125	165	285	175	230	280	200	31	75	90	15	155	LM80	17
	80 DMLV 53.7	3.7																	

- (*) - L.W.L (Low Water Level)
- Operation is limited to 10 minutes at L.W.L.
- Operation is limited to 30 minutes with water level below top of motor

100DMLV with QDC

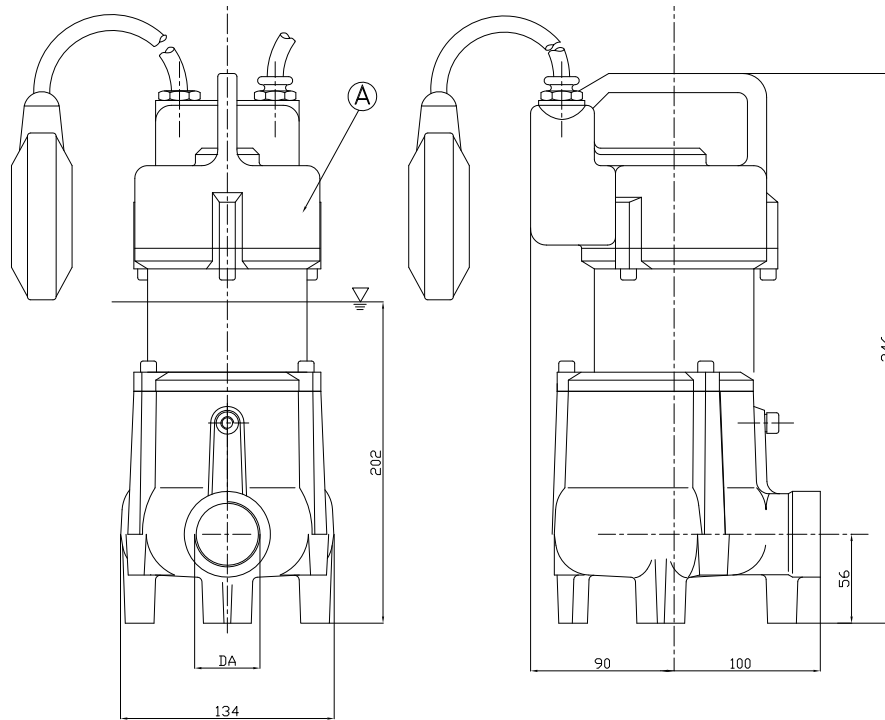


Discharge flange dimensions [mm] - EN 1092-2							
Type	DA	DE	DF	DG	DT	DN	DD
Round	100	180	220	156	21	8	19

Dimensions [mm]							
Size DA	Model	Output [kW]	A	H3	L1 (*)	QDC	
						Model	Weight [kg]
100	100DML55.5	5.5	554	335	250	LL100	46
	100DML57.5	7.5	611				
	100DML511	11	698		300		
	100DML515	15					
	100DML522	22					

- (*)
- L.W.L (Low Water Level)
 - Operation is limited to 10 minutes at L.W.L.
 - Operation is limited to 30 minutes with water level below top of motor

32DMLVF

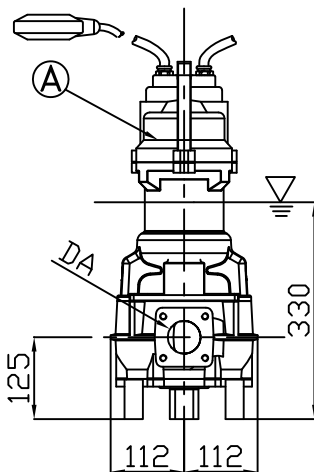
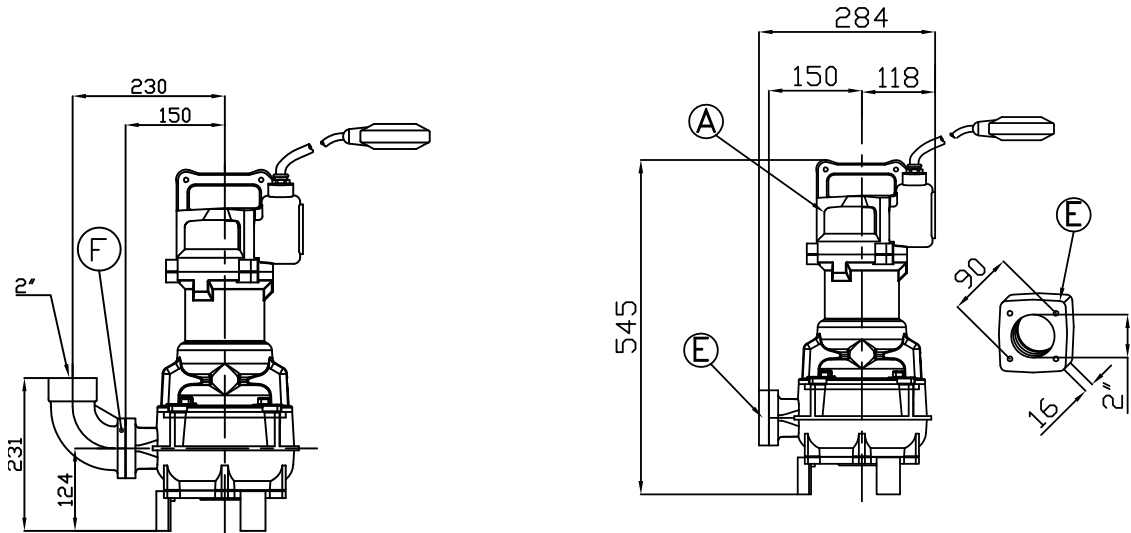


POSITION	DESCRIPTION	MATERIAL	WEIGHT [kgf]
A	SUBMERSIBLE PUMP	-	-

Size DA	Model	Output [kW]	Weight [kgf]
1"1/4	32DMLVF50,5M(90)	0,5	14

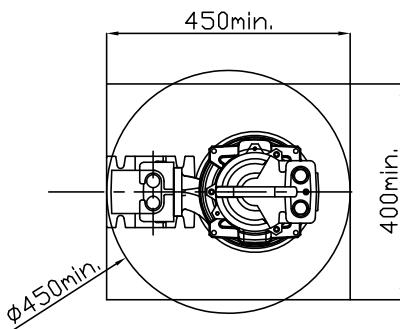
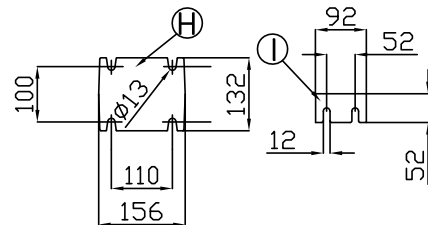
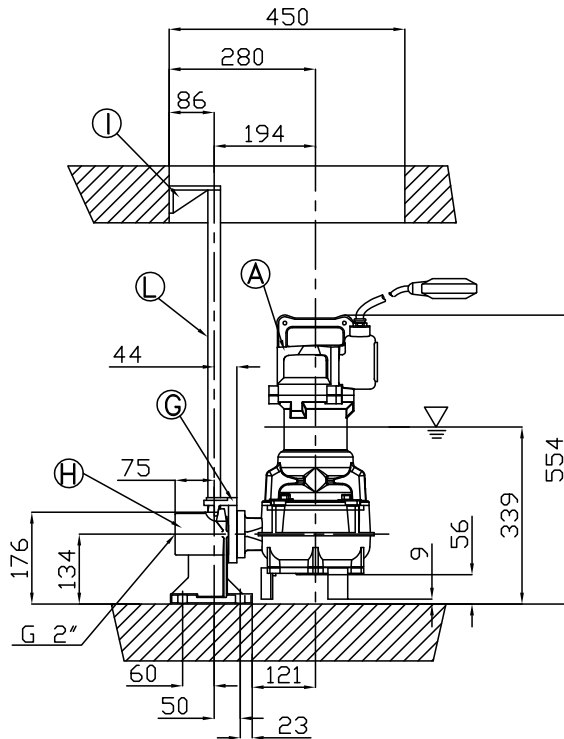
▽ LIVELLO MINIMO DI
 SOMMERSIBILITA'
 ▽ MINIMUM
 SUBMERSIBLE LEVEL

50DMLVF (1.1 ÷ 1.8 kW)



Size DA	Model	Output [kW]	Weight [kgf]
50	50DMLVF51,1M(130)	1.1	43
	50DMLVF51,8M(140)	1.8	43
	50DMLVF51,8M(155)	1.8	43

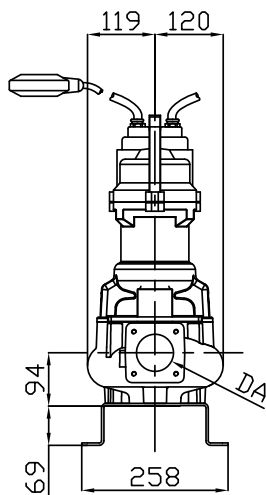
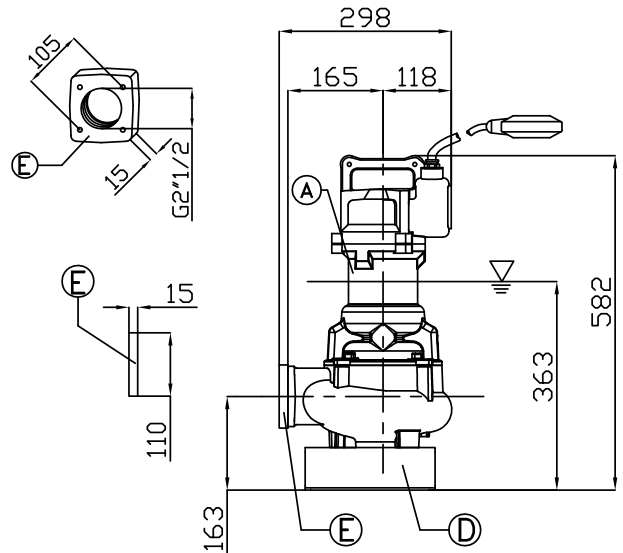
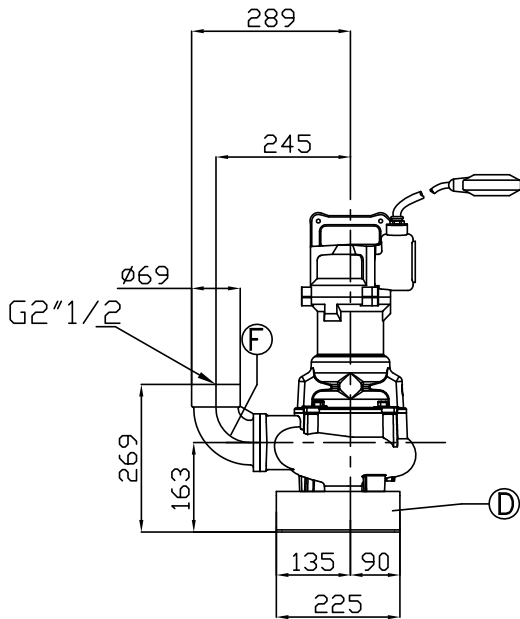
▽ LIVELLO MINIMO DI
 ≡ SOMMERSIBILITA'
 ▽ MINIMUM
 ≡ SUBMERSIBLE LEVEL



∇ LIVELLO MINIMO DI
 \equiv SOMMERSIBILITA'
 ∇ MINIMUM
 \equiv SUBMERSIBLE LEVEL

POSITION	DESCRIPTION	MATERIAL	WEIGHT [kgf]
A	SUBMERSIBLE PUMP	-	-
B	RUBBER JOINT DN50	NEOPRENE	-
E	THREADED FLANGE 2"	G250 CAST-IRON	1
F	THREADED ELBOW 90° 2"	G250 CAST-IRON	3
G	DOUBLE GUIDE RAIL COUPLING FLANGE DN50	G250 CAST IRON	1.5
H	DOUBLE GUIDE CUOPLING FEET DN50	G250 CAST-IRON	6
I	DOUBLE GUIDE RAIL UPPER SUPPORT 3/4	G250 CAST-IRON	1.1
L	GUIDE RAIL 3/4	GALVANIZED STEEL	-

65DMLVF (1.9 kW)



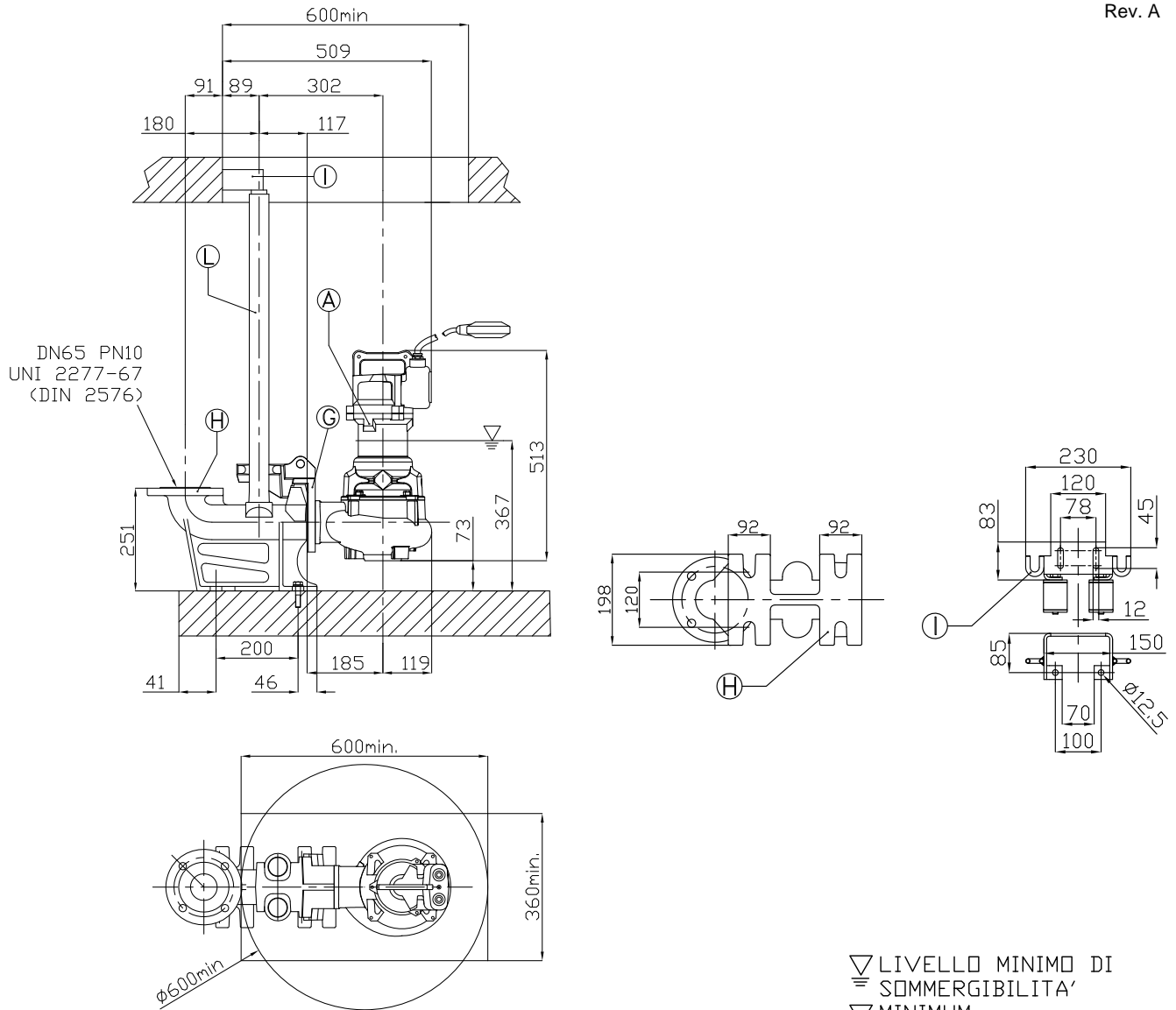
Size DA	Model	Output [kW]	Weight [kgf]
65	65DMLVF51,9M(109)	1.9	44

▽ LIVELLO MINIMO DI
 ≡ SOMMERSIBILITA'
 ▽ MINIMUM
 ≡ SUBMERSIBLE LEVEL

DIMENSIONS AND WEIGHT

50 Hz

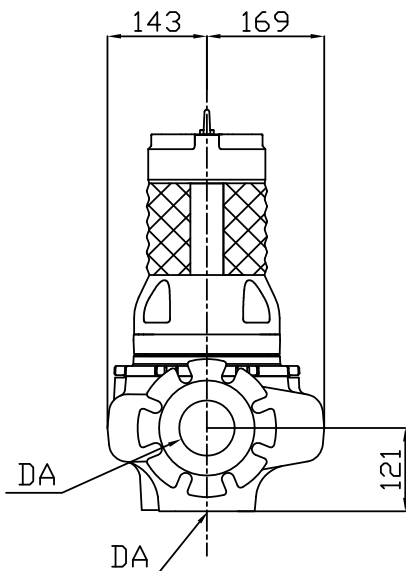
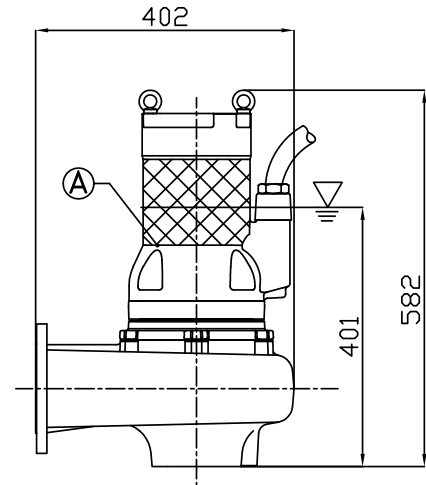
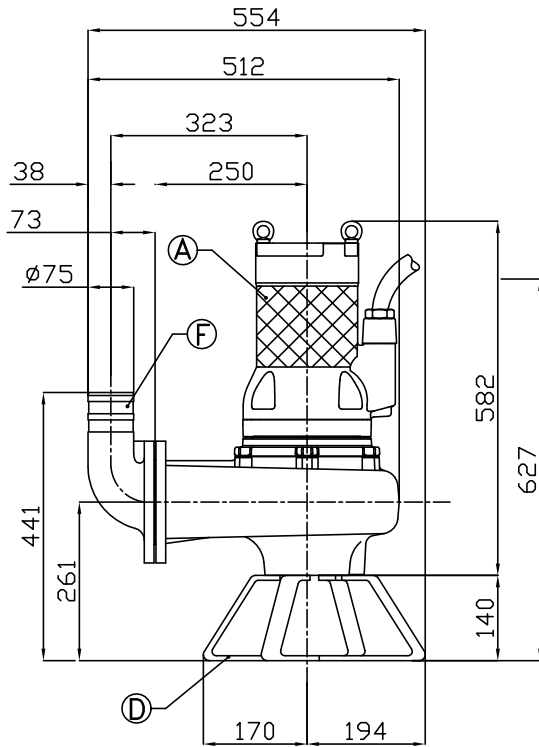
Rev. A



▽ LIVELLO MINIMO DI
 ≡ SOMMERSIBILITA'
 ▽ MINIMUM
 ≡ SUBMERSIBLE LEVEL

POSITION	DESCRIPTION	MATERIAL	WEIGHT [kgf]
A	SUBMERSIBLE PUMP	-	-
B	RUBBER JOINT DN65	NEOPRENE	-
D	X FOOT REST	S.STEEL AISI304	2.5
E	THREADED FLANGE 2"1/2	G250 CAST-IRON	1
F	THREADED ELBOW 90° 2"1/2	G250 CAST-IRON	3
G	DOUBLE GUIDE RAIL COUPLING FLANGE DN65	G250 CAST IRON	4
H	DOUBLE GUIDE CUOPLING FEET DN65	G250 CAST-IRON	19
I	DOUBLE GUIDE RAIL UPPER SUPPORT 2"	GALVANIZED STEEL	1.9
L	GUIDE RAIL 2"	GALVANIZED STEEL	-

80DMLVF (4.6 kW)



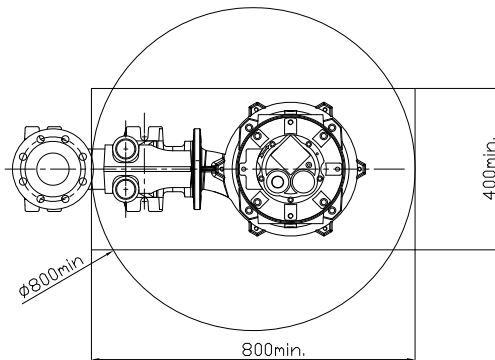
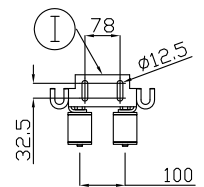
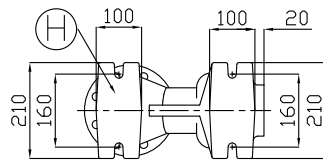
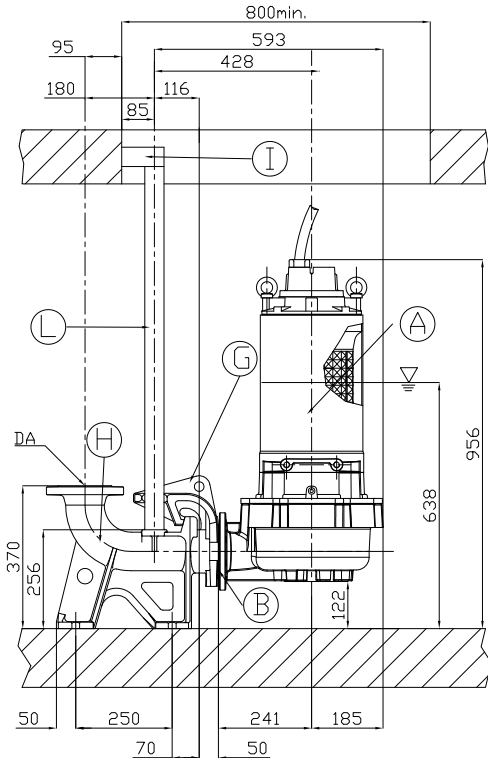
Size DA	Model	Output [kW]	Weight [kgf]
DN 80 PN10 UNI 2277-67 (DIN 2576)	80DMLVF54,6(206)	4.6	79

▽ LIVELLO MINIMO DI
 ≡ SOMMERSIBILITA'
 ▽ MINIMUM
 ≡ SUBMERSIBLE LEVEL

DIMENSIONS AND WEIGHT

50 Hz

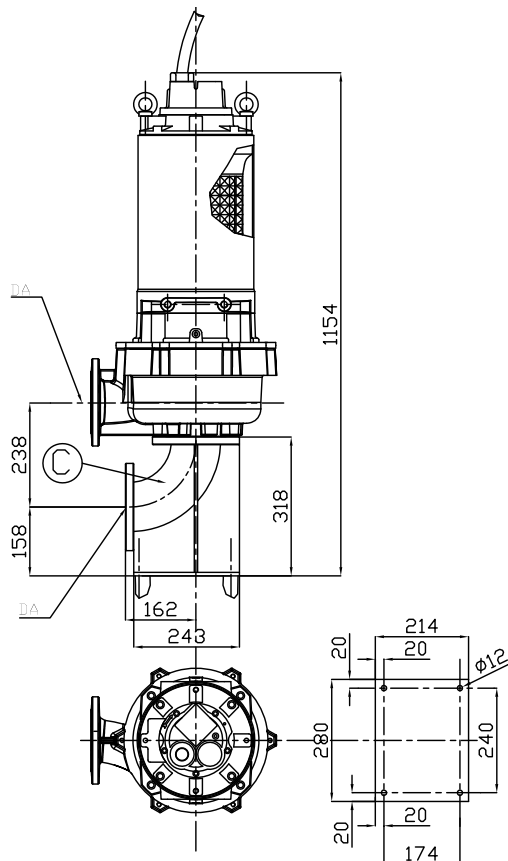
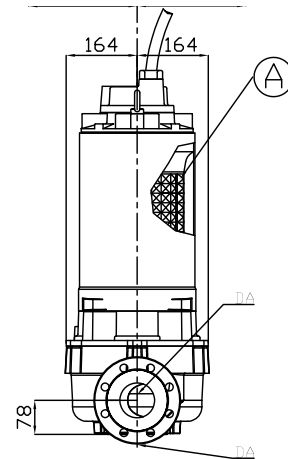
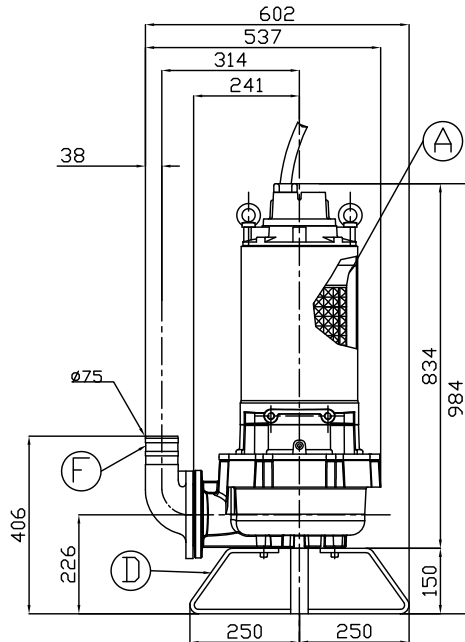
Rev. A



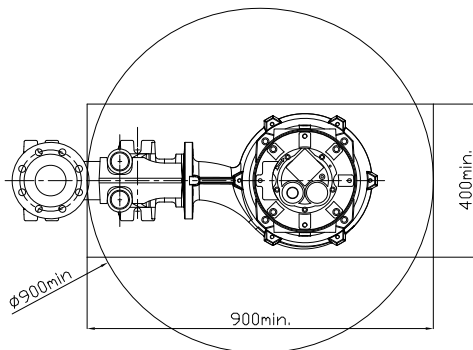
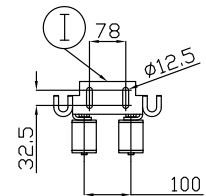
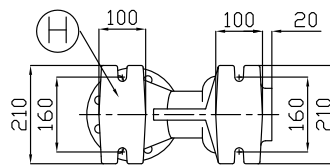
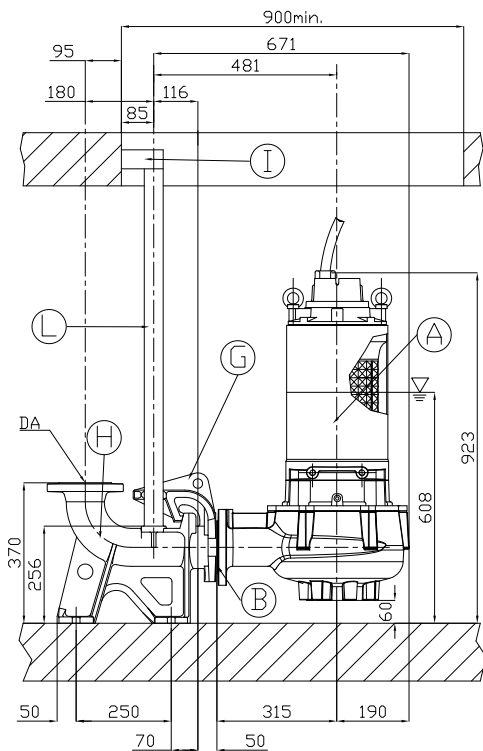
▽ LIVELLO MINIMO DI
 ≡ SOMMERSIBILITA'
 ≡ MINIMUM
 ≡ SUBMERSIBLE LEVEL

POSITION	DESCRIPTION	MATERIAL	WEIGHT [kgf]
A	SUBMERSIBLE PUMP	-	-
B	RUBBER JOINT DN80	NEOPRENE	-
C	SUCTION ELBOW 90°	GALVANIZED STEEL	27
D	X FOOT REST	GALVANIZED STEEL	3
F	DELIVERY ELBOW 90° DN80	G250 CAST-IRON	6
G	DOUBLE GUIDE RAIL COUPLING FLANGE DN80	G250 CAST IRON	10
H	DOUBLE GUIDE CUOPLING FEET DN80	G250 CAST-IRON	33
I	DOUBLE GUIDE RAIL UPPER SUPPORT 2"	GALVANIZED STEEL	1.9
L	GUIDE RAIL 2"	GALVANIZED STEEL	-

80DMLVF (18.2 kW)



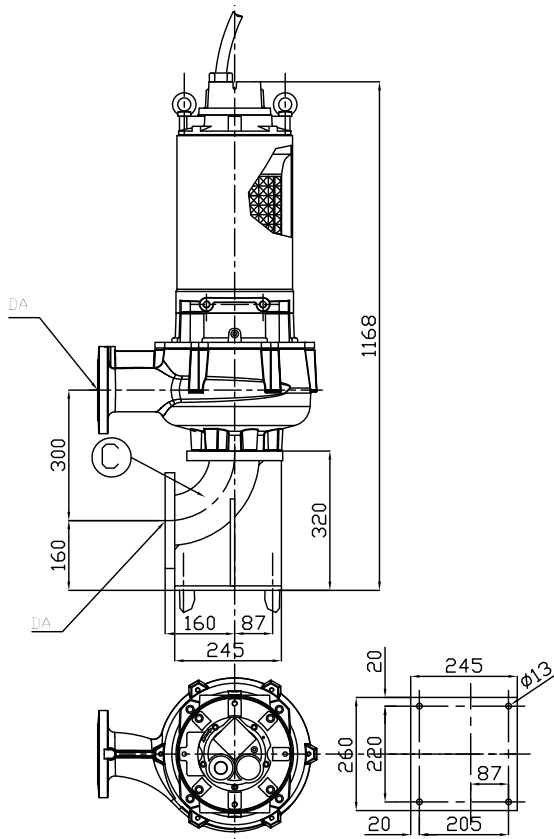
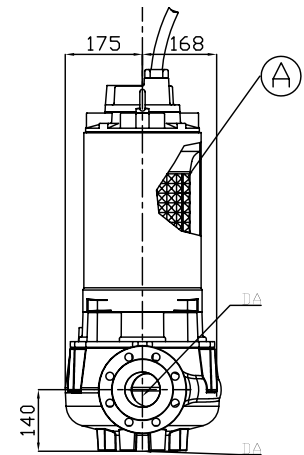
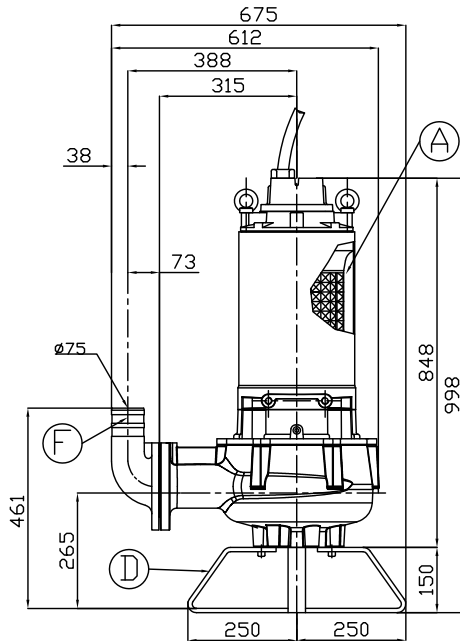
Size DA	Model	Output [kW]	Weight [kgf]
DN 80 PN10 UNI 2277-67 (DIN 2576)	80DMLVF518,2(188)	18.2	191



▽ LIVELLO MINIMO DI
SOMMERSIBILITA'
≡ MINIMUM
≡ SUBMERSIBLE LEVEL

POSITION	DESCRIPTION	MATERIAL	WEIGHT [kgf]
A	SUBMERSIBLE PUMP	-	-
B	RUBBER JOINT DN80	NEOPRENE	-
C	SUCTION ELBOW 90°	GALVANIZED STEEL	7
D	X FOOT REST	GALVANIZED STEEL	3
F	DELIVERY ELBOW 90° DN80	G250 CAST-IRON	6
G	DOUBLE GUIDE RAIL COUPLING FLANGE DN80	G250 CAST IRON	10
H	DOUBLE GUIDE CUOPLING FEET DN80	G250 CAST-IRON	33
I	DOUBLE GUIDE RAIL UPPER SUPPORT 2"	GALVANIZED STEEL	1.9
L	GUIDE RAIL 2"	GALVANIZED STEEL	-

80DMLVF (18.2 kW)

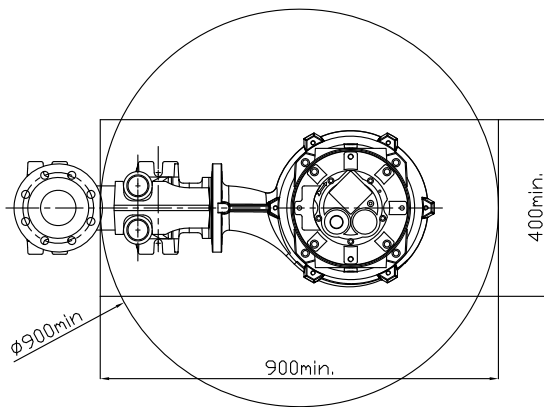
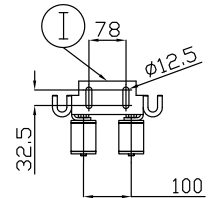
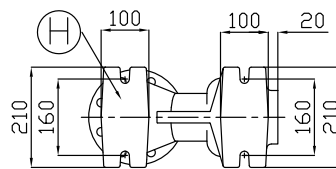
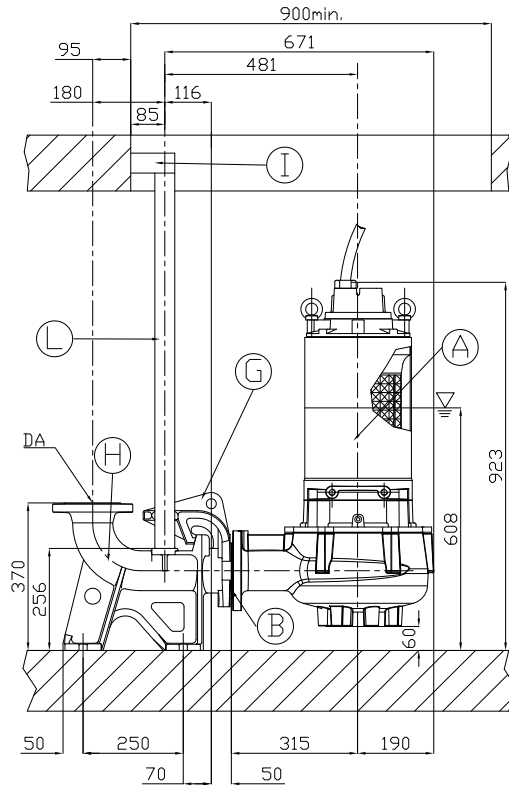


Size DA	Model	Output [kW]	Weight [kgf]
DN 80 PN10 UNI 2277-67 (DIN 2576)	80DMLVF518,2(225)	18.2	190

DIMENSIONS AND WEIGHT

50 Hz

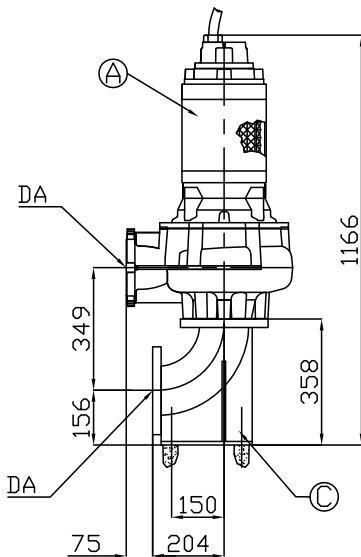
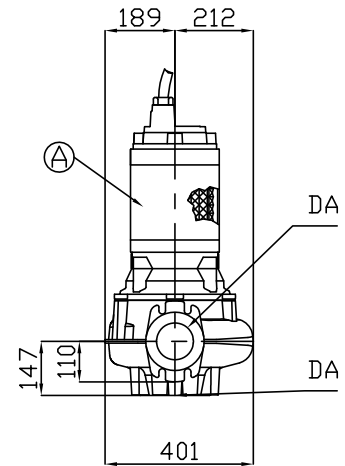
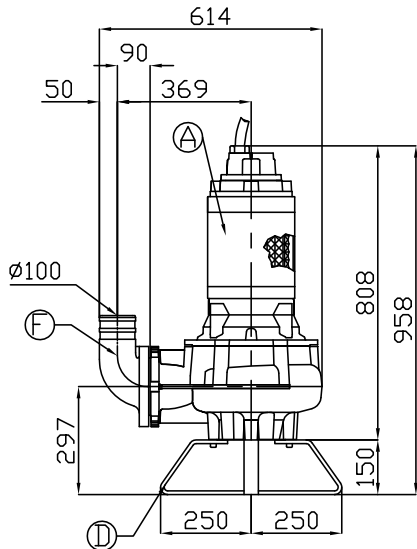
Rev. A



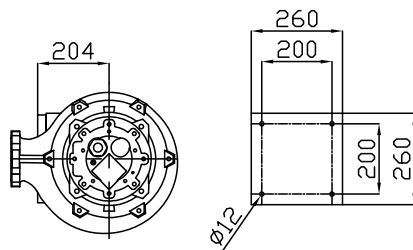
▽ LIVELLO MINIMO DI
SOMMERSIBILITA'
▽ MINIMUM
▽ SUBMERSIBLE LEVEL

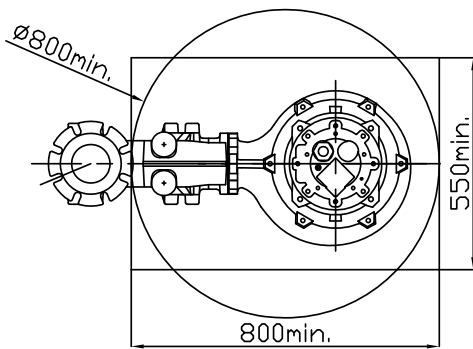
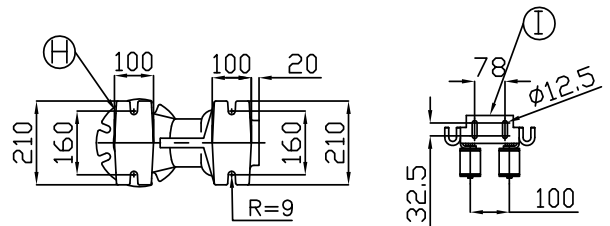
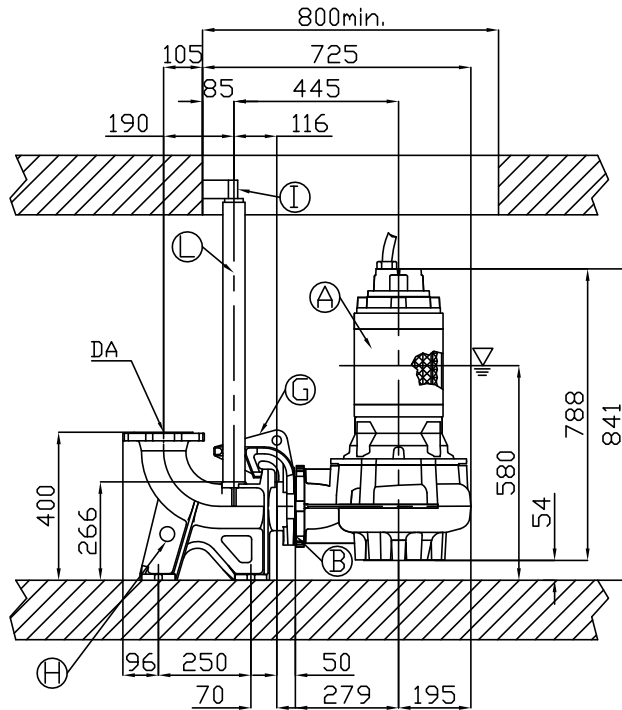
POSITION	DESCRIPTION	MATERIAL	WEIGHT [kgf]
A	SUBMERSIBLE PUMP	-	-
B	RUBBER JOINT DN80	NEOPRENE	-
C	SUCTION ELBOW 90°	GALVANIZED STEEL	27
D	X FOOT REST	GALVANIZED STEEL	5
F	DELIVERY ELBOW 90° DN80	G250 CAST-IRON	6
G	DOUBLE GUIDE RAIL COUPLING FLANGE DN80	G250 CAST IRON	10
H	DOUBLE GUIDE CUOPLING FEET DN80	G250 CAST-IRON	33
I	DOUBLE GUIDE RAIL UPPER SUPPORT 2"	GALVANIZED STEEL	1.9
L	GUIDE RAIL 2"	GALVANIZED STEEL	-

100DMLVF



Size DA	Model	Output [kW]	Weight [kgf]
DN 100 PN10 UNI 2277-67 (DIN 2576)	100DMLVF55,2(260)	5,2	166



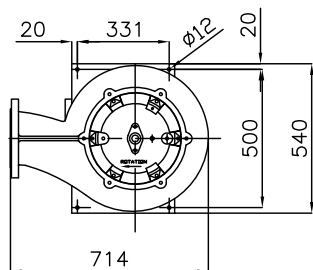
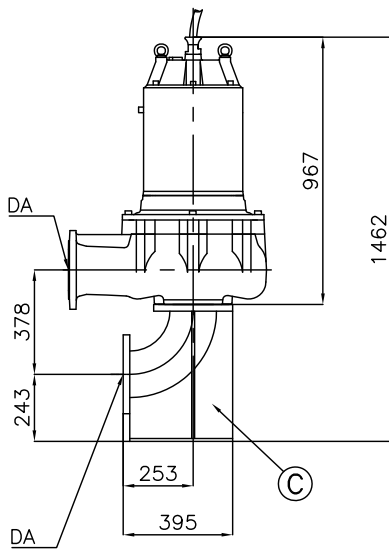
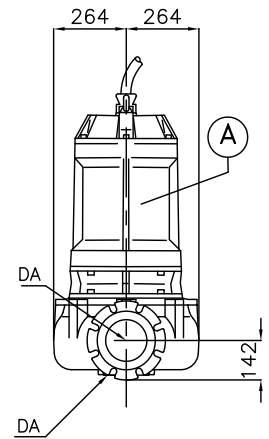
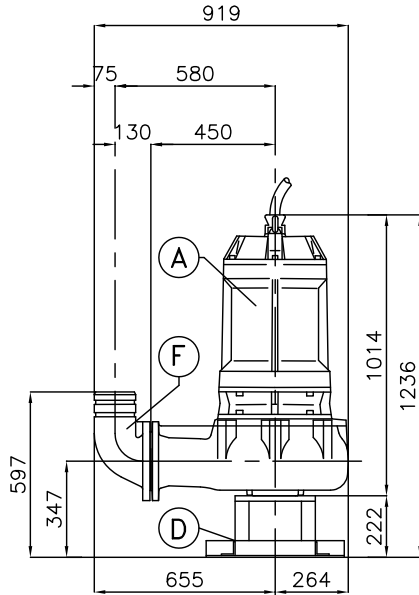


▽ LIVELLO MINIMO DI
SOMMERSIBILITA'

▽ MINIMUM
SUBMERSIBLE LEVEL

POSITION	DESCRIPTION	MATERIAL	WEIGHT [kgf]
A	SUBMERSIBLE PUMP	-	-
B	RUBBER JOINT DN100	NEOPRENE	-
C	SUCTION ELBOW 90°	GALVANIZED STEEL	27
D	X FOOT REST	GALVANIZED STEEL	5
F	DELIVERY ELBOW 90° DN100	G250 CAST-IRON	10
G	DOUBLE GUIDE RAIL COUPLING FLANGE DN100	G250 CAST IRON	12
H	DOUBLE GUIDE CUOPLING FEET DN100	G250 CAST-IRON	35
I	DOUBLE GUIDE RAIL UPPER SUPPORT 2"	GALVANIZED STEEL	1,9
L	GUIDE RAIL 2"	GALVANIZED STEEL	-

150DMLVF

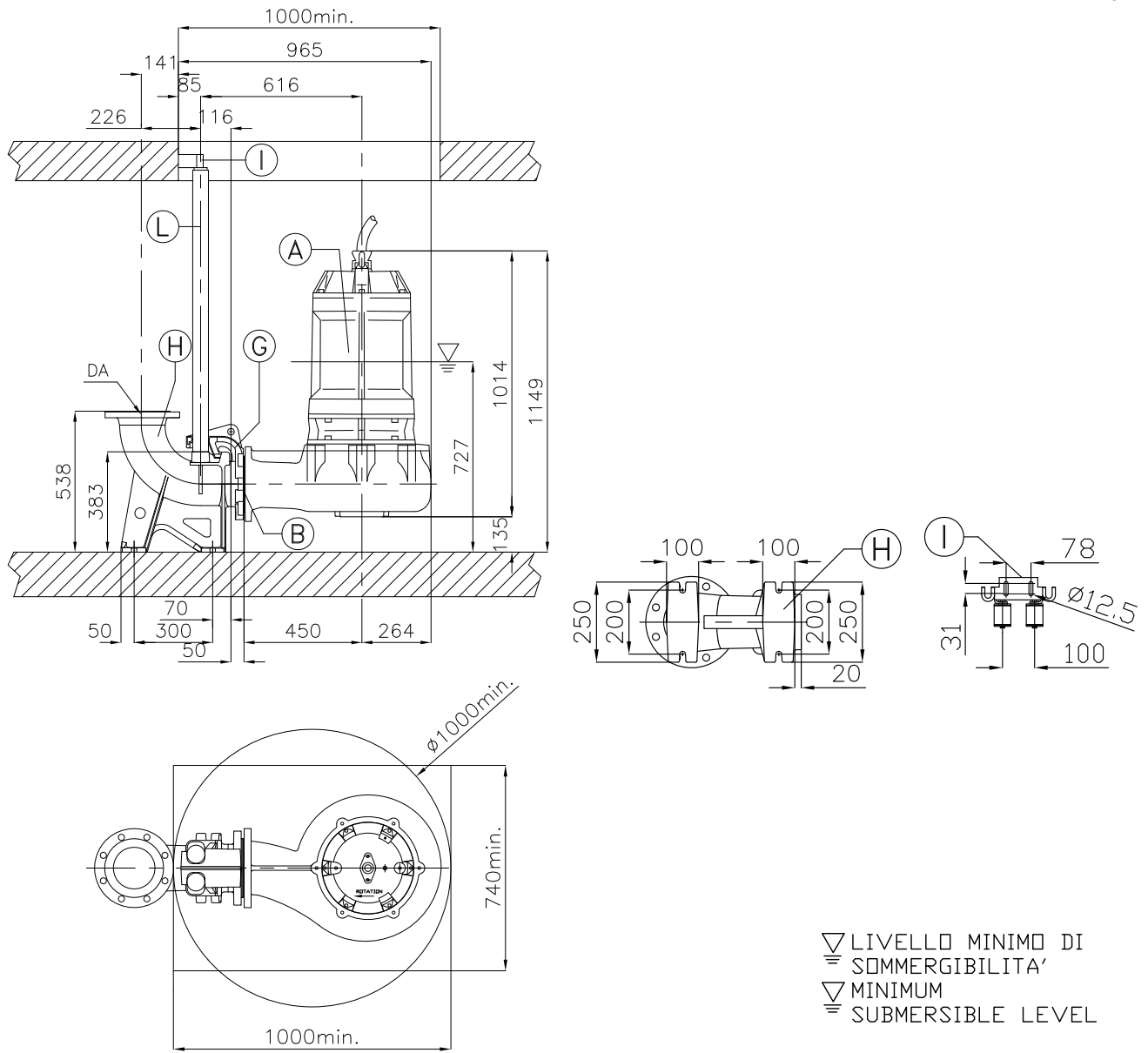


Size DA	Model	Output [kW]	Weight [kgf]
DN 150 PN150 UNI 2277-67 (DIN 2576)	150DMLVF511(360)	11	361
	150DMLVF513,6(400)	13,5	361
	150DMLVF525(340)	25	361
	150DMLVF535,7(360)	35,7	361

DIMENSIONS AND WEIGHT

50 Hz

Rev. A



POSITION	DESCRIPTION	MATERIAL	WEIGHT [kgf]
A	SUBMERSIBLE PUMP	-	-
B	RUBBER JOINT DN150	NEOPRENE	-
C	SUCTION ELBOW 90°	GALVANIZED STEEL	40
D	X FOOT REST	GALVANIZED STEEL	9
F	DELIVERY ELBOW 90° DN150	G250 CAST-IRON	20
G	DOUBLE GUIDE RAIL COUPLING FLANGE DN150	G250 CAST IRON	12
H	DOUBLE GUIDE CUOPLING FEET DN150	G250 CAST-IRON	60
I	DOUBLE GUIDE RAIL UPPER SUPPORT 2"	GALVANIZED STEEL	1,9
L	GUIDE RAIL 2"	GALVANIZED STEEL	-

DS, DVS (1.5÷3.7 kW) MOTOR DATA

Output [P ₂]		[kW]	1,5			2,2			3,7			
Resistance at 20° C		[Ω]	11,973			4,942			2,647			
GD ²		[kg·m ²]	0,0057			0,0082			0,011			
Voltage		[V]	380	400	415	380	400	415	380	400	415	
Load	0%	Current	[A]	1.25	1.32	1.30	1.95	2.15	2.33	3.20	3.30	3.90
		Power	[W]	430	405	400	500	500	252	800	500	600
	75%	Current	[A]	2.92	2.62	2.61	4.07	4.06	3.82	7.07	6.32	6.45
		Efficiency	[%]	63.59	69.18	70.11	71.23	69.69	77.58	68.00	75.54	74.26
		Power factor	[%]	91.93	89.54	85.68	86.44	84.27	77.40	87.75	83.92	80.61
	100%	Speed	[min ⁻¹]	2872	2887	2898	2895	2901	2927	2890	2917	2922
		Current	[A]	3.70	3.30	3.30	5.10	5.00	4.60	8.80	7.80	7.80
		Efficiency	[%]	65.61	71.25	70.89	73.05	72.28	79.33	70.79	77.64	76.74
		Power factor	[%]	93.88	92.08	89.21	89.71	87.87	83.88	90.24	88.18	86.00
	Speed	[min ⁻¹]	2821	2847	2854	2851	2864	2900	2847	2886	2890	
		Locked Rotor Torque	[%]	243	295	303	161	186	184	175	216	233
	Start Current		[A]	20.5	21.1	22.5	28.7	30.0	31.5	51.2	51.0	53.0
No. starts per hour			10									
Model			ZDSEU									

DS (5.5÷7.5 kW) MOTOR DATA

Output [P ₂]		[kW]	5,5			7,5			
Resistance at 20° C		[Ω]	2,001			1,345			
GD ²		[kg·m ²]	0,03			0,037			
Voltage		[V]	380	400	415	380	400	415	
Load	0%	Current	[A]	3.00	2.70	2.70	3.65	3.20	3.27
		Power	[W]	340	800	340	400	800	400
	75%	Current	[A]	8.37	8.36	7.59	11.43	11.02	10.17
		Efficiency	[%]	82.89	77.34	83.68	83.36	79.51	84.44
		Power factor	[%]	90.37	92.05	90.40	89.70	92.68	91.14
		Speed	[min ⁻¹]	2944	2932	2945	2941	2928	2942
	100%	Current	[A]	10.80	10.80	9.80	14.80	14.30	13.20
		Efficiency	[%]	83.87	79.10	84.51	84.26	80.96	85.13
		Power factor	[%]	92.25	92.92	92.39	91.34	93.50	92.85
		Speed	[min ⁻¹]	2922	2905	2923	2917	2900	2918
	Locked Rotor Torque		[%]	168	155	168	159	154	159
	Start Current		[A]	77.0	70.0	70.0	105.0	93.5	94.0
No. starts per hour			10						
Model			ZDSEU						

DSF (1.1÷15.9 kW) MOTOR DATA

Output [P ₂]		[kW]	1,1	1,8	5,7	15,9	
Resistance at 20° C		[Ω]	1,97/4,38	1,9/4,3	2,800	0,560	
GD ²		[kg·m ²]	0,000520	0,000520	0,003	0,016	
Voltage		[V]	230	230	400	400	
Load	0%	Current	[A]	2,31	2,5	4,9	12,6
		Power	[W]	415	420	760	1800
	75%	Current	[A]	5,4	7,6	8,7	22,4
		Efficiency	[%]	67	80	84	87,38
		Power factor	[%]	0,96	0,98	0,85	0,86
		Speed	[min ⁻¹]	2868	2795	2875	2925
	100%	Current	[A]	7,5	10	12,5	30
		Efficiency	[%]	68	80,5	84	88,36
		Power factor	[%]	0,98	0,99	0,89	0,9
		Speed	[min ⁻¹]	2750	2710	2840	2900
	Locked Rotor Torque		[%]	20	30	260	330
	Start Current		[A]	21	35	73,8	171
Phase			1		3		
No. starts per hour			15				
Model			M271M/M- 2282-3028- 3534-6437	M271M/L- 3026-3536- 5432-5372- 6436	M210T/L- 3480	M213T/L- 8622	

DL, DL W/C (1.5÷3.7 kW) MOTOR DATA

Output [P ₂]		[kW]	1,5			2,2			3,7			
Resistance at 20° C		[Ω]	8,466			5,937			3,447			
GD ²		[kg·m ²]	0,013			0,025			0,04			
Voltage		[V]	380	400	415	380	400	415	380	400	415	
Load	0%	Current	[A]	2.3	2.51	2.746	2.65	2.85	3.2	3.5	3.65	3.9
		Power	[W]	500	420	546	650	450	420	650	800	450
	75%	Current	[A]	3.47	3.37	3.56	4.65	4.34	4.46	6.70	6.73	6.25
		Efficiency	[%]	62.67	70.31	62.99	63.89	69.75	69.23	73.21	69.72	76.38
		Power factor	[%]	78.70	68.43	69.87	84.32	78.63	74.40	85.95	85.37	80.93
		Speed	[min ⁻¹]	1438	1449	1446	1440	1452	1458	1447	1449	1455
	100%	Current	[A]	4.10	3.90	4.10	5.70	5.20	5.20	8.40	8.30	7.60
		Efficiency	[%]	65.69	72.58	65.73	66.44	72.31	71.82	74.67	72.09	77.98
		Power factor	[%]	84.62	76.54	77.83	88.26	84.45	81.96	89.62	89.25	86.85
		Speed	[min ⁻¹]	1414	1432	1426	1417	1437	1443	1427	1430	1440
	Locked Rotor Torque		[%]	319	378	385	216	277	301	229	275	296
	Start Current		[A]	23.70	24.50	23.60	29.30	30.00	32.00	49.40	47.50	49.00
No. starts per hour			10									
Model			ZDLEU									

DL (5.5÷11 kW), DL W/C (5.5÷7.5 kW) MOTOR DATA

Output [P ₂]		[kW]	5,5			7,5			11			
Resistance at 20° C		[Ω]	2.339			1.513			-	0,869		
GD ²		[kg·m ²]	0.061			0.071			0.12			
Voltage		[V]	380	400	415	380	400	415	380	400	415	
Load	0%	Current	[A]	4.9	4.3	4.5	7.85	6.5	7.1	-	7.80	8.60
		Power	[W]	470	900	470	707	1200	707	-	1500	790
	75%	Current	[A]	9.38	8.97	8.58	13.38	12.46	12.07	-	17.03	16.81
		Efficiency	[%]	79.17	75.51	79.10	79.46	76.94	79.81	-	80.39	81.35
		Power factor	[%]	84.39	87.90	84.53	80.38	84.72	81.25	-	86.98	83.95
	Speed	[min ⁻¹]	1464	1458	1464	1467	1463	1467	-	1468	1470	
	100%	Current	[A]	11.70	11.30	10.70	16.40	15.50	14.80	-	21.50	21.00
		Efficiency	[%]	80.42	77.14	80.38	80.98	78.64	81.26	-	82.12	82.29
		Power factor	[%]	88.83	91.07	88.97	85.80	88.81	86.76	-	89.92	88.56
		Speed	[min ⁻¹]	1451	1442	1451	1455	1449	1455	-	1456	1458
	Locked Rotor Torque		[%]	271	249	271	288	272	288	-	185	155
	Start Current		[A]	81.00	70.00	74.00	120.00	104.00	108.00	-	121.0	128.0
No. starts per hour			10						6			
Model			ZDLEU									

DL (15÷22 kW) MOTOR DATA

Output [P ₂]		[kW]	15			18,5			22			
Resistance at 20° C		[Ω]	-	0,677		-	0,439		-	0,376		
GD ²		[kg·m ²]	0,15			0,25			0,28			
Voltage		[V]	380	400	415	380	400	415	380	400	415	
Load	0%	Current	[A]	-	8.50	8.85	-	12.80	15.10	-	12.50	13.50
		Power	[W]	-	1600	880	-	2000	1300	-	2000	965
	75%	Current	[A]	-	22.13	21.11	-	27.76	27.38	-	32.73	31.37
		Efficiency	[%]	-	81.59	84.15	-	84.25	85.39	-	82.74	85.54
		Power factor	[%]	-	89.91	88.12	-	85.61	82.55	-	87.94	85.56
	100%	Speed	[min ⁻¹]	-	1464	1464	-	1477	1480	-	1471	1473
		Current	[A]	-	28.50	27.00	-	35.00	34.00	-	42.00	40.00
		Efficiency	[%]	-	82.79	84.99	-	85.77	86.79	-	84.17	86.11
		Power factor	[%]	-	91.76	90.93	-	88.95	87.23	-	89.82	88.86
	100%	Speed	[min ⁻¹]	-	1450	1451	-	1469	1472	-	1460	1463
		Locked Rotor Torque	[%]	-	171	182	-	171	185	-	155	169
		Start Current	[A]	-	160.0	167.0	-	238.0	248.0	-	265.0	265.0
No. starts per hour			6									
Model			ZDLEU									

DL (30÷45 kW) MOTOR DATA

Output [P ₂]		[kW]	30			37			45			
Resistance at 20° C		[Ω]	0,236			0,152			0,117			
GD ²		[kg·m ²]	0.72			1.11			1.32			
Voltage		[V]	380	400	415	380	400	415	380	400	415	
Load	0%	Current	[A]	20	23.7	27.3	25,4	31.4	36.3	29,7	36.2	41.9
		Power	[W]	925	1104	1332	1116	1584	1956	1320	1752	2172
	75%	Current	[A]	45,69	45.96	47.48	56,47	58.11	60.14	68,59	70.07	72.18
		Efficiency	[%]	89.77	89.48	87.78	91.33	90.25	89.33	90.25	88.93	88.13
		Power factor	[%]	83.35	78.97	75.10	81.75	76.38	71.87	82.84	78.17	73.81
	Speed	[min ⁻¹]	1462	1464	1466	1479	1480	1481	1476	1478	1479	
	100%	Current	[A]	59.00	58.00	58.50	72.50	72.50	73.50	88.00	87.50	88.50
		Efficiency	[%]	89.28	89.39	88.21	91.57	90.89	90.29	90.63	89.83	89.28
		Power factor	[%]	86.41	83.45	80.60	84.64	80.95	77.56	85.56	82.33	79.12
		Speed	[min ⁻¹]	1447	1451	1453	1470	1472	1473	1467	1470	1471
	Locked Rotor Torque		[%]	245	272	294	154	171	184	156	173	186
	Start Current		[A]	356.50	377.40	393.20	390.70	413.90	431.30	497.80	527.40	549.70
No. starts per hour			6									
Model			ZDLEU									

DML, DMLV (2.2÷3.7 kW) MOTOR DATA

Output [P ₂]		[kW]	2,2			3,7			
Resistance at 20° C		[Ω]	7,015			3,623			
GD ²		[kg·m ²]	0,02			0,03			
Voltage		[V]	380	400	415	380	400	415	
Load	0%	Current	[A]	2.13	2.52	2.81	3.29	3.88	4.45
		Power	[W]	450	480	580	620	780	840
	75%	Current	[A]	4.33	4.21	4.32	6.79	6.77	6.95
		Efficiency	[%]	67.11	68.45	67.13	72.12	71.40	69.56
		Power factor	[%]	86.20	82.63	79.22	86.08	82.84	79.82
	100%	Speed	[min ⁻¹]	1428	1437	1442	1439	1443	1447
		Current	[A]	5.50	5.20	5.20	8.60	8.40	8.40
		Efficiency	[%]	67.56	69.50	68.98	72.79	72.71	71.61
		Power factor	[%]	89.53	87.56	85.08	89.58	87.44	85.44
	Speed		[min ⁻¹]	1400	1411	1421	1416	1422	1428
	Locked Rotor Torque		[%]	182	204	221	203	226	244
	Start Current		[A]	24.30	25.70	26.70	45.50	48.10	50.00
No. starts per hour			10						
Model			ZDMEU						

DML, DMLV (5.5÷11 kW) MOTOR DATA

Output [P ₂]		[kW]	5,5			7,5			11			
Resistance at 20° C		[Ω]	1,920			1,326			0,862			
GD ²		[kg·m ²]	0,059			0,076			0,120			
Voltage		[V]	380	400	415	380	400	415	380	400	415	
Load	0%	Current	[A]	5.56	6.67	7.64	6.93	8.41	9.70	8.49	10.15	11.85
		Power	[W]	900	1200	1330	1200	1300	1600	1100	1450	1800
	75%	Current	[A]	10.30	10.51	10.83	13.65	14.06	14.48	18.26	19.27	19.66
		Efficiency	[%]	73.72	72.26	71.38	75.24	76.86	71.60	81.12	75.49	74.70
		Power factor	[%]	82.50	78.43	74.23	83.20	75.16	75.46	84.63	81.87	78.15
		Speed	[min ⁻¹]	1454	1456	1460	1461	1460	1466	1462	1461	1465
	100%	Current	[A]	12.70	12.60	12.70	16.90	16.90	17.10	23.50	23.80	23.80
		Efficiency	[%]	75.37	74.50	74.06	76.89	79.01	74.60	81.65	77.41	77.06
		Power factor	[%]	87.04	84.27	81.03	87.39	80.89	81.76	87.68	85.82	83.31
		Speed	[min ⁻¹]	1437	1440	1445	1445	1447	1455	1447	1446	1451
	Locked Rotor Torque		[%]	227	252	272	231	256	278	154	170	184
	Start Current		[A]	78.00	82.60	87.80	110.20	116.50	121.70	128.20	136.00	141.90
No. starts per hour			10						7			
Model			ZDMEU									

DML/DMLV (15÷22 kW) MOTOR DATA

Output [P ₂]		[kW]	15			22			
Resistance at 20° C		[Ω]	0,563			0,308			
GD ²		[kg·m ²]	0,16			0,34			
Voltage		[V]	380	400	415	380	400	415	
Load	0%	Current	[A]	10.8	13.13	15.08	13.37	16.27	18.82
		Power	[W]	1220	1650	2000	1500	2000	2100
	75%	Current	[A]	24.86	25.03	25.59	33.90	33.38	34.04
		Efficiency	[%]	79.66	78.43	77.65	84.98	85.54	83.88
		Power factor	[%]	86.32	82.71	78.78	87.01	83.40	80.41
		Speed	[min ⁻¹]	1465	1464	1467	1473	1475	1474
	100%	Current	[A]	31.50	31.00	31.00	43.50	42.00	42.00
		Efficiency	[%]	80.84	80.23	79.78	85.80	86.52	85.34
		Power factor	[%]	89.13	86.77	84.16	89.33	87.27	85.16
		Speed	[min ⁻¹]	1449	1451	1455	1462	1466	1466
	Locked Rotor Torque		[%]	176	195	211	155	172	185
	Start Current		[A]	199.80	211.90	220.90	299.80	318.50	332.70
No. starts per hour			7						
Model			ZDMEU						

DMLF (1.1÷1.8 kW) MOTOR DATA

Output [P ₂]		[kW]	1,1	1,1	1,8	
Resistance at 20° C		[Ω]	2,83/6,48	1,97/4,38	1,9/4,3	
GD ²		[kg·m ²]	0,000430	0,000520	0,000520	
Voltage		[V]	230	230	230	
Load	0%	Current	[A]	3,3	2,31	2,5
		Power	[W]	560	415	420
	75%	Current	[A]	5,5	5,4	7,6
		Efficiency	[%]	67	67	80
		Power factor	[%]	0,95	0,96	0,98
		Speed	[min ⁻¹]	2820	2868	2795
	100%	Current	[A]	7,5	7,5	10
		Efficiency	[%]	68	68	80,5
		Power factor	[%]	0,98	0,98	0,99
		Speed	[min ⁻¹]	2750	2750	2710
	Locked Rotor Torque		[%]	20	20	30
	Start Current		[A]	21	21	35
No. starts per hour			15			
Model			M272M/L- 9108-394- 9756	M271M/M- 2282-3028- 3534-6437	M271M/L- 3026-3536- 5432-5372- 6436	

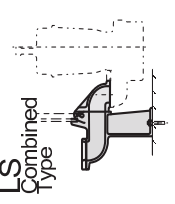
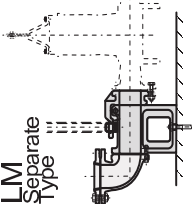
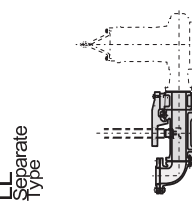
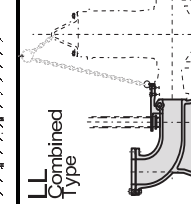
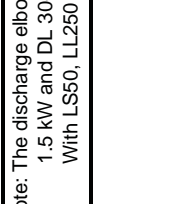

DMLVF (0.5÷35.7- kW) MOTOR DATA

Output [P ₂]	[kW]	0,5	1,1	1,8	1,9	4,6	11	13,6	18,2	25	35,7		
Resistance at 20° C	[N]	10,1/20,2	1,97/4,38	1,9/4,3	1,8/4,1	6,100	1,600	1,550	0,540	0,310	0,240		
GD ²	[kg·m ²]	0,000241	0,000520	0,000520	0,000520	0,006	0,140	0,140	0,016	0,120	0,130		
Voltage	[V]	230	230	230	230	400	400	400	400	400	400		
Load	0%	Current	[A]	1	2,31	2,5	2,52	3	24,9	26	12,9	15	19
		Power	[W]	170	415	420	433	480	2200	2300	1950	1800	2100
	75%	Current	[A]	2,8	5,4	7,6	7,6	7,1	16,4	20,1	25,6	36,3	49,7
		Efficiency	[%]	63	67	80	80	83	85	85	87,41	90	91
		Power factor	[%]	0,95	0,96	0,98	0,98	0,85	0,86	0,86	0,87	0,82	0,85
	100%	Speed	[min ⁻¹]	2831	2868	2795	2801	1440	959	956	2910	1434	1463
		Current	[A]	4	7,5	10	10	9,5	23	27,5	34	48	65,5
		Efficiency	[%]	63	68	80,5	80,5	83	85	85	88,4	91	91,5
		Power factor	[%]	0,96	0,98	0,99	0,99	0,89	0,89	0,89	0,91	0,85	0,88
	Speed	[min ⁻¹]	2815	2750	2710	2700	1430	950	950	2870	1430	1460	
Locked Rotor Torque	[%]	57	20	30	30	200	240	240	330	250	250		
Start Current	[A]	12,4	21	35	35	42,8	124,2	148,5	193,8	283,2	384,4		
Poles		2			4		6		2		4		
Phase		1			3								
No. starts per hour		15											
Model		M206M/M-264	M271M/M-2282-3028-3534-6437	M271M/L-3026-3536-5432-5372-6436	M271M/LR-846	M410T/Lp-2016	M618T/S-300	M618T/M-299	M213T/Lp-6110-6429	M418T/M-296	M418T/L-295		

PUMP MODEL AND MOTOR MODEL REFERENCE

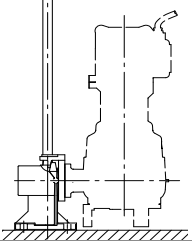
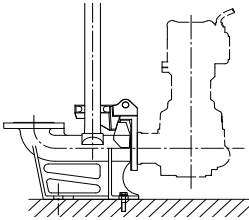
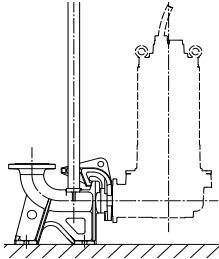
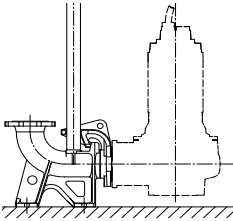
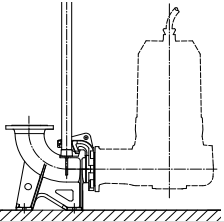
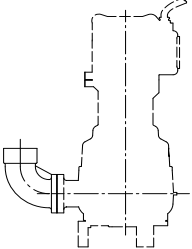
Motor model	Motor Power [Kw]	Pump model
M210T/L-3480	5,7	40DSF55,7 (192)
M213T/L-8622	15,9	65DSF515,9 (230)
M213T/Lp-6110-6429	18,2	80DMLVF518,2 (188)
		80DMLVF518,2 (225)
M410T/Lp-2016	4,6	80DMLVF54,6 (206)
M418T/L-295	35,7	150DMLVF535,7 (360)
M418T/M-296	25	150DMLVF525 (340)
M611T/M-4980	5,2	100DMLVF55,2 (260)
M618T/M-299	13,6	150DMLVF513,6 (400)
M618T/S-300	11	150DMLVF5,11 (360)
M206M/M-264	0,5	32DMLVF50,5M (90)
M271M/L-3026-3536-5432-5372-6436	1,8	40DSF51,8M (150)
		65DMLVF51,8M (125)
		50DMLVF51,8M (140)
		50DMLVF51,8M (155)
M271M/LR-846	1,9	65DMLVF51,9M (109)
M271M/M-2282-3028-3534-6437	1,1	40DSF51,1M (125)
		65DMLVF51,1M (135)
		50DMLVF 51,1M (130)
M272M/L-9108-394-9756	1,1	50DMLVF51,1M (120)

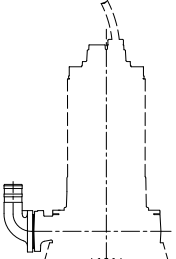
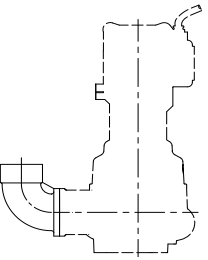
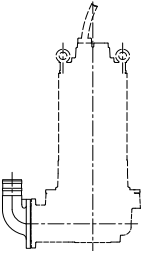
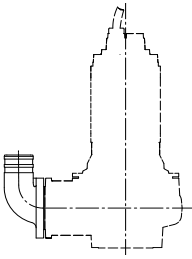
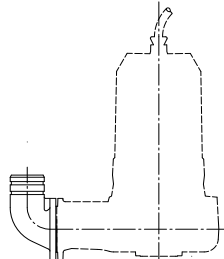
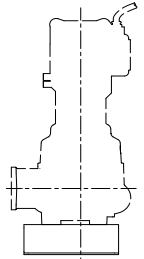
QDC SELECTION TABLE

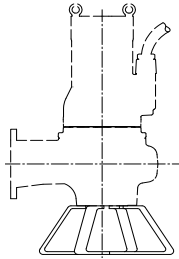
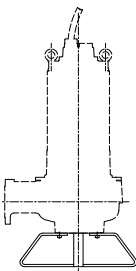
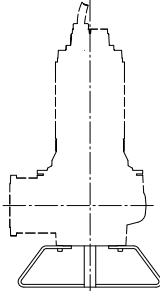
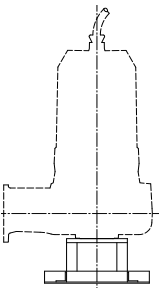
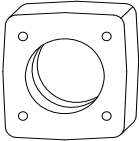
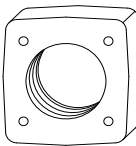
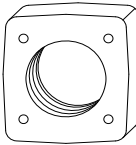
QDC Model	Size				Applicable Model				DLM(V)
	Discharge Flange Ø	Discharge Elbow Ø	QDC Body Ø	Volute Flange Ø	DS	DVS	DLW/C	DL	
 LS Combined Type	50	50	50	50	50DS 1.5 kW	50DVS 1.5 kW			
	50	50x50	50	50	2.2÷3.7 kW				
 LM Separate Type	65	65x65	65	65	65DS 1.5 kW	65DVS 1.5÷3.7 kW	65DLW/C 1.5 kW	65DL 1.5 kW	
	80	65x80	65	65		80DVS 1.5÷3.7 kW			
 LL Separate Type	80	80x80	80	80	80DS 2.2÷3.7 kW		80DLW/C 1.5÷3.7 kW	80DL 1.5÷3.7 kW	80&100DML(V) 2.2÷3.7 kW
	80	80x80	80	80				80DLC 5.5÷7.5 kW	
 LL Combined Type	100	80x100	80	80				100DLC 5.5÷7.5 kW	
	100	100x100	100	100	100DS 5.5÷7.5 kW		100DLW/C 3.7÷7.5 kW	100DL&DLB 3.7÷18.5 kW	100DML(V) 5.5÷22 kW
 LL Combined Type	150	100x150	100	100					150DML 5.5÷22 kW
	150	125x150	125	125				150DL 5.5÷22 kW	
 LL Combined Type	150	150x150	150	150				150DL 30÷45 kW	
	200	150x200	150	150				200DL 5.5÷45 kW	
 LL Combined Type	250	200x250	200x250	200				250DL 7.5÷22 kW	
	250	(Reducer) 300x250	250x300	250				250DL 30÷45 kW	
 LL Combined Type	300	250x300	250x300	250				300DL 11÷45 kW	

Note: The discharge elbow & companion flange are not supplied with the QDC. These items are standard accessories supplied with the pump (except for DS and DVS 1.5 kW and DL 30÷45 kW), and they are used with the QDC.
With LS50, LL250 and LL300 the Discharge Elbow is not necessary, because it is included in the QDC body.

QDC, ELBOW,TRIPOD AND FLANGE SELECTION TABLE

	MODEL	APPLICABLE MODEL		
		DSF	DMLF	DMLVF
	PA DN50	40DSF51,1M (125) 40DSF51,8M (150) 40DSF55,7 (192)	50DMLF51,1M (120)	50DMLVF51,1M (130) 50DMLVF51,8M (140) 50DMLVF51,8M (155)
	PA DN65	65DSF515,9 (230)	65DMLF51,1M (135) 65DMLF51,8M (125)	65DMLVF51,9M (109)
	PA DN80			80DMLVF54,6 (206) 80DMLVF518,2 (188) 80DMLVF518,2 (225)
	PA DN100			100DMLVF55,2 (260)
	PA DN150			150DMLVF511 (360) 150DMLVF513,5 (400) 150DMLVF525 (340) 150DMLVF535,7 (340)
	CUF 2"	40DSF51,1M(125) 40DSF51,8M (150) 40DSF 55,7(192)	50DMLF51,1M (120)	50DMLVF51,1M (130) 50DMLVF51,8M (140) 50DMLVF51,8M (155)

	CU DN65	65DSF515,9 (230)		
	CU 2"1/2		65DMLF51,1M (135) 65DMLF51,8M (125)	65DMLVF51,9M (109)
	CU DN80			80DMLVF518,2 (188)
	CU DN100			100DMLVF55,2 (260)
	CU DN150			150DMLVF511 (360) 150DMLVF513,5 (400) 150DMLVF525 (340) 150DMLVF535,7 (340)
	TP 65			65DMLVF51,9M (109)

	TP 80			80DMLVF54,6 (206) 80DMLVF518,2 (188)
	TP 100			80DMLVF518,2 (225)
	TP125			100DMLVF55,2 (260)
	TP 150			150DMLVF511 (360) 150DMLVF513,5 (400) 150DMLVF525 (340) 150DMLVF535,7 (340)
	FL 1" 1/2 T	40DSF51,1M(125) 40DSF51,8M (150) 40DSF 55,7(192)		
	FL 2" 1/2		65DMLF51,1M (135) 65DMLF51,8M (125)	65DMLVF51,9M (109)
	FL 2"		50DMLF51,1M (120)	50DMLVF51,1M (130) 50DMLVF51,8M (140) 50DMLVF51,8M (155)