

2/3/4 NKVE 10 - 15 - 20 - 32 - 45 MCE/P

CONSTANT PRESSURE SETS WITH MCE/P MULTI INVERTER SYSTEM ON THE PUMP



TECHNICAL DATA

Line voltage: 400V three phase
Voltage of electric pump: 400V three phase
Power frequency: 50-60 Hz
Installation: vertical only
Operating range: from 4 to 280 m³/h
Pumped liquid temperature range: from 0 °C to 80 °C
Maximum ambient temperature: 40°C
Max pressure: 14bar
Pumped liquid: clean, free from solids.
Pressure regulation range: 3 to 14 bar.
Protection class: IP55

APPLICATIONS

The sets with on-board inverter have been designed and manufactured to meet the constant pressure requirements of modern system engineering solutions. The constant pressure adjustment is a requirement in the most varied sectors: Water pipelines, Irrigation, Industry, Hotel, Residential building, Spas. The fundamental concept that has driven our Engineers in developing these pumps sets, was to offer a simple to use, flexible, and extremely reliable product. Differently from traditional fixed speed pumps, inverter driven pumps give the possibility to adapt the performance curve to the needs of the system. In the most classic case, inverter driven pumps are used to maintain constant pressure in the system against variations in the requested flow rate, avoiding pressure fluctuations caused by small flow rate variations.

ADVANTAGES OF USE

Operating pressure stability – Excellent energy savings (up to 60 %) – Reduced hammering effects – Reduced space requirements – Less maintenance – Reduced pump wear – Less power factor correction required – Less water consumption – Integrated protections.

CONSTRUCTION FEATURES

The sets with MCE/P inverters are built in the standard version with two, three, or four centrifugal electric pumps, completely assembled on galvanised steel base, tested and ready for installation. Complete with isolator and check valves for each pump, suction and delivery manifolds, expansion vessels, pressure sensor, on-pump inverter, protection control unit. (possibility of optional flow sensor for pressure control).

MULTI INVERTER SYSTEM WITH ON-PUMP MCE/

The inverter continuously adjusts the rotation speed of the electric pump, keeping the pressure constant, even when the flow rate varies.

The other electric pumps, also with variable speed, are activated in cascade after the first one has reached maximum speed. Through modulation, they compensate the pressure fluctuations of the system.

For every operating cycle, it is possible to switch the restart to a different pump, therefore ensuring even use of all electric pumps.

It is possible to set operation times for each individual pump, switching to another pump after such set times.

The "SP" pressure can be adjusted by the user using the "+" and "-" keys found on the MCE/P (as a rule, all the pumps are set to the same pressure value). With the new MCE/P, it is sufficient to set the data on one of the devices, and it will be automatically propagated to the other pumps of the system.

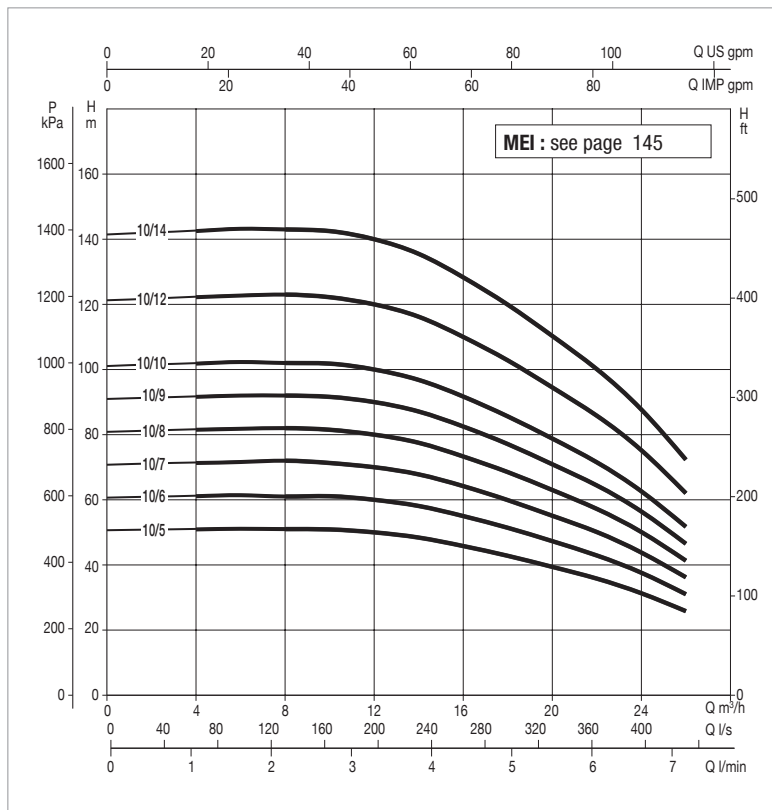
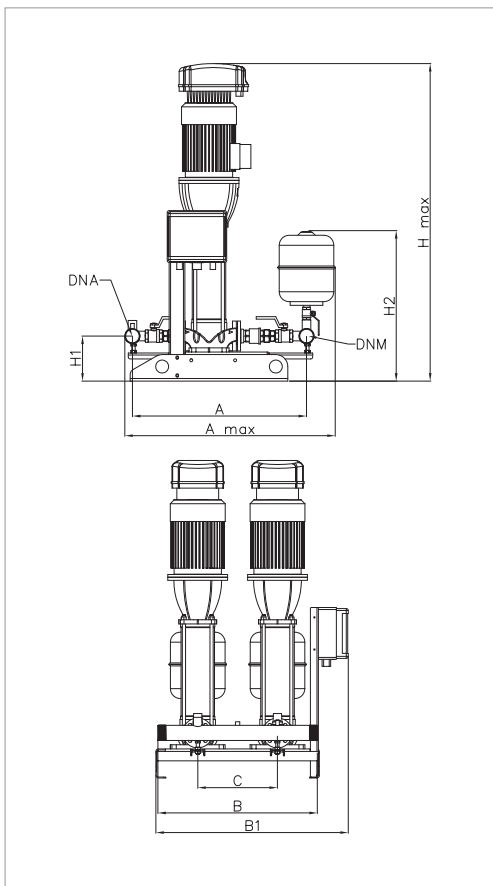
ELECTRIC COMPONENTS SUPPLIED

MCE/P inverter with the following features:

- Abnormal voltage protection.
- Adjustable amperometric protection.
- Dry run protection (without minimum manometer).
- Output phases short circuit protection.
- Overtemperature and overvoltage protection.
- Anti-seizing and anti-freeze functions.
- Pressure sensor fault.
- Thermal magnetic protection control unit (simplified connection).
- Pressure sensor on the delivery manifold.

2 NKVE 10 -MCE/P - CONSTANT PRESSURE BOOSTER SETS

Pumped liquid temperature range: from -15 °C to +80 °C - Maximum ambient temperature: +40 °C - Max flow rate: 26 m³/h



The performance curves are based on kinematic viscosity values = 1 mm²/s and density equal to 1000 kg/m³.
Curve tolerance according to ISO 9906.

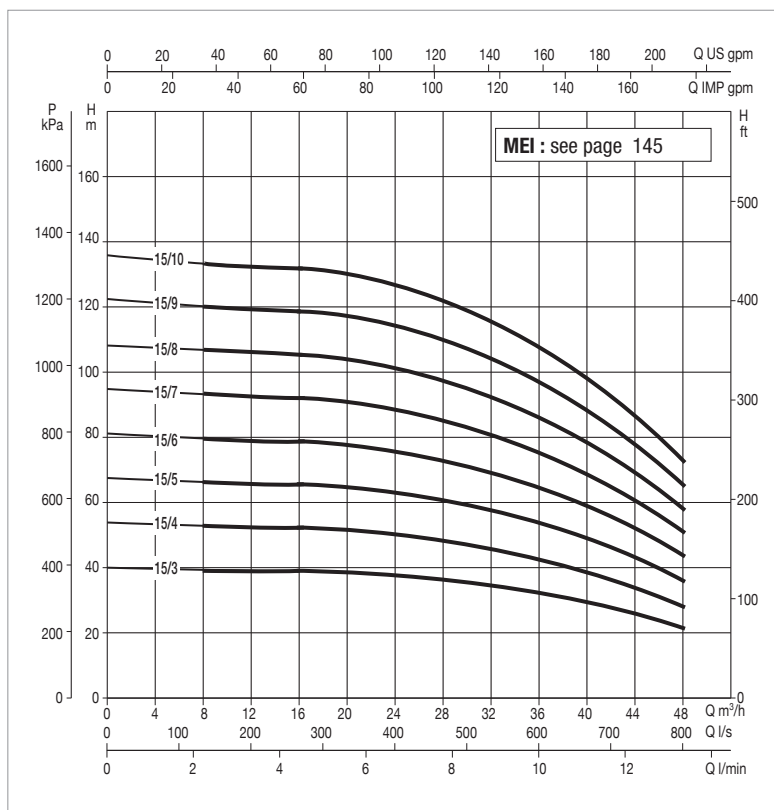
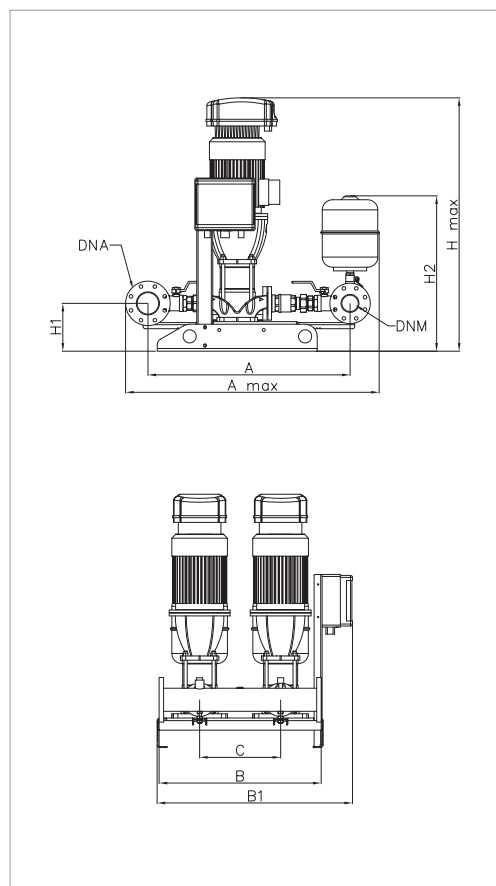
Overall performance taking into account TWO pumps working at the same time.

| MODEL | PUMP+INVERTER POWER INPUT | P2 NOMINAL | | In A | MCE/P MODEL | MAXIMUM FLOW RATE m ³ /h | MAX OBTAINABLE PRESSURE BAR | STANDARD PRESSURE BAR |
|------------------------|------------------------------|------------|-------|---------|----------------|---|-----------------------------------|--------------------------|
| | | KW | HP | | | | | |
| 2 NKVE 10/5 T MCE30/P | 3 x 400V 50Hz | 2x2.2 | 2x3 | 2x4.9 | MCE30/P | 26 | 5 | 4,0 |
| 2 NKVE 10/6 T MCE30/P | 3 x 400V 50Hz | 2x2.2 | 2x3 | 2x5.4 | MCE30/P | 26 | 6 | 5.0 |
| 2 NKVE 10/7 T MCE30/P | 3 x 400V 50Hz | 2x3 | 2x4 | 2x7.37 | MCE30/P | 26 | 7 | 6 |
| 2 NKVE 10/8 T MCE30/P | 3 x 400V 50Hz | 2x3 | 2x4 | 2x7.37 | MCE30/P | 26 | 8 | 6.5 |
| 2 NKVE 10/9 T MCE30/P | 3 x 400V 50Hz | 2x3 | 2x4 | 2x7.37 | MCE30/P | 26 | 9 | 7.7 |
| 2 NKVE 10/10 T MCE30/P | 3 x 400V 50Hz | 2x4 | 2x5.5 | 2x10.1 | MCE30/P | 26 | 10 | 8.5 |
| 2 NKVE 10/12 T MCE55/P | 3 x 400V 50Hz | 2x4 | 2x5.5 | 2x10.1 | MCE55/P | 26 | 12 | 10 |
| 2 NKVE 10/14 T MCE55/P | 3 x 400V 50Hz | 2x5.5 | 2x7.5 | 2x13.1 | MCE55/P | 26 | 14 | 10 |

| MODEL | A | A MAX | B | B1 | C | H1 | H2 | H MAX | DNA | DNM | PACKING DIMENSIONS | | | WEIGHT kg |
|------------------------|-----|-------|-----|-----|-----|-----|-----|-------|--------|--------|--------------------|------|------|--------------|
| | | | | | | | | | | | L/A | L/B | H | |
| 2 NKVE 10/5 T MCE30/P | 875 | 1060 | 800 | 965 | 400 | 226 | 755 | 1109 | 2" 1/2 | 2" 1/2 | 2150 | 1000 | 1400 | 186 |
| 2 NKVE 10/6 T MCE30/P | 875 | 1060 | 800 | 965 | 400 | 226 | 755 | 1142 | 2" 1/2 | 2" 1/2 | 2150 | 1000 | 1400 | 187 |
| 2 NKVE 10/7 T MCE30/P | 875 | 1060 | 800 | 965 | 400 | 226 | 755 | 1221 | 2" 1/2 | 2" 1/2 | 2150 | 1000 | 1400 | 214 |
| 2 NKVE 10/8 T MCE30/P | 875 | 1060 | 800 | 965 | 400 | 226 | 755 | 1254 | 2" 1/2 | 2" 1/2 | 2150 | 1000 | 1400 | 216 |
| 2 NKVE 10/9 T MCE30/P | 875 | 1060 | 800 | 965 | 400 | 226 | 755 | 1287 | 2" 1/2 | 2" 1/2 | 2150 | 1000 | 1400 | 218 |
| 2 NKVE 10/10 T MCE55/P | 875 | 1060 | 800 | 965 | 400 | 226 | 755 | 1335 | 2" 1/2 | 2" 1/2 | 2150 | 1000 | 1400 | 237 |
| 2 NKVE 10/12 T MCE55/P | 875 | 1060 | 800 | 965 | 400 | 226 | 755 | 1401 | 2" 1/2 | 2" 1/2 | 2150 | 1000 | 1400 | 240 |
| 2 NKVE 10/14 T MCE55/P | 875 | 1060 | 800 | 965 | 400 | 226 | 755 | 1597 | 2" 1/2 | 2" 1/2 | 2150 | 1000 | 1400 | 298 |

2 NKVE 15 - MCE/P - CONSTANT PRESSURE BOOSTER SETS

Pumped liquid temperature range: from -15 °C to +80 °C - Maximum ambient temperature: +40 °C - Max flow rate: 48 m³/h



The performance curves are based on kinematic viscosity values = 1 mm²/s and density equal to 1000 kg/m³.
Curve tolerance according to ISO 9906.

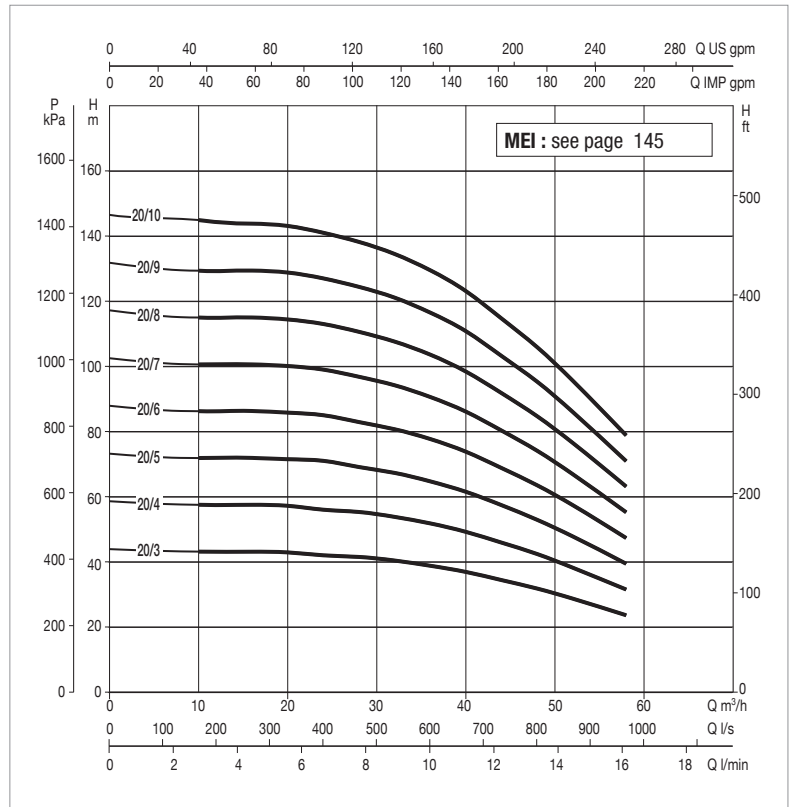
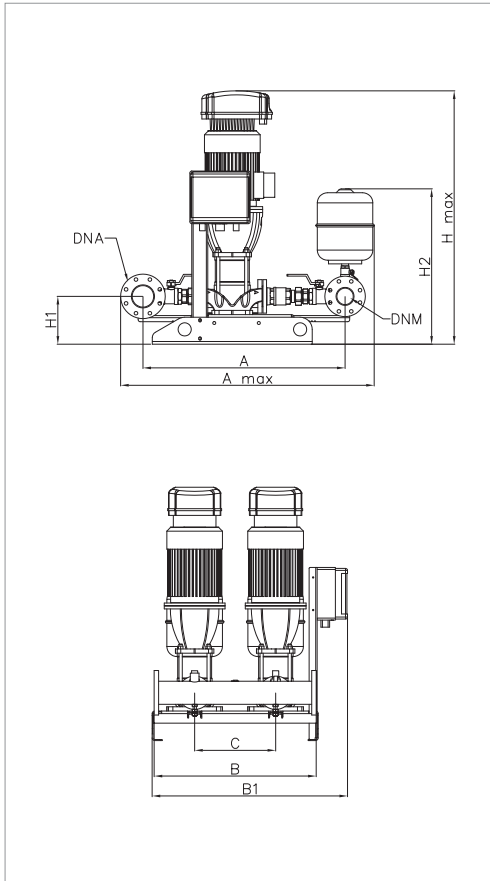
Overall performance taking into account TWO pumps working at the same time.

| MODEL | PUMP+INVERTER POWER INPUT | P2 NOMINAL | | In A | MCE/P MODEL | MAXIMUM FLOW RATE m ³ /h | MAX OBTAINABLE PRESSURE BAR | STANDARD PRESSURE BAR |
|-------------------------|------------------------------|------------|-------|---------|----------------|---|-----------------------------------|--------------------------|
| | | KW | HP | | | | | |
| 2 NKVE 15/3 T MCE30/P | 3 x 400V 50Hz | 2x3 | 2x4 | 2x7.37 | MCE30/P | 48 | 4 | 3.5 |
| 2 NKVE 15/4 T MCE55/P | 3 x 400V 50Hz | 2x4 | 2x5.5 | 2x10.1 | MCE55/P | 48 | 5 | 4 |
| 2 NKVE 15/5 T MCE55/P | 3 x 400V 50Hz | 2x4 | 2x5.5 | 2x10.1 | MCE55/P | 48 | 6.5 | 5 |
| 2 NKVE 15/6 T MCE55/P | 3 x 400V 50Hz | 2x5.5 | 2x7.5 | 13.1 | MCE55/P | 48 | 7.5 | 6.5 |
| 2 NKVE 15/7 T MCE55/P | 3 x 400V 50Hz | 2x5.5 | 2x7.5 | 2x13.1 | MCE55/P | 48 | 9 | 8 |
| 2 NKVE 15/8 T MCE110/P | 3 x 400V 50Hz | 2x7.5 | 2x10 | 2x17.6 | MCE110/P | 48 | 11 | 10 |
| 2 NKVE 15/9 T MCE110/P | 3 x 400V 50Hz | 2x7.5 | 2x10 | 2x17.6 | MCE110/P | 48 | 12 | 11 |
| 2 NKVE 15/10 T MCE110/P | 3 x 400V 50Hz | 2x11 | 2x15 | 2x25.5 | MCE110/P | 48 | 13 | 12 |

| MODEL | A | A MAX | B | B1 | C | H1 | H2 | H MAX | DNA | DNM | PACKING DIMENSIONS | | | WEIGHT kg |
|-------------------------|------|-------|-----|-----|-----|-----|-----|-------|-----|-----|--------------------|------|------|--------------|
| | | | | | | | | | | | L/A | L/B | H | |
| 2 NKVE 15/3 T MCE30/P | 1000 | 1255 | 800 | 965 | 400 | 236 | 770 | 1160 | 100 | 80 | 2150 | 1000 | 1400 | 238 |
| 2 NKVE 15/4 T MCE55/P | 1000 | 1255 | 800 | 965 | 400 | 236 | 770 | 1225 | 100 | 80 | 2150 | 1000 | 1400 | 258 |
| 2 NKVE 15/5 T MCE55/P | 1000 | 1255 | 800 | 965 | 400 | 236 | 770 | 1274 | 100 | 80 | 2150 | 1000 | 1400 | 261 |
| 2 NKVE 15/6 T MCE55/P | 1000 | 1255 | 800 | 965 | 400 | 236 | 770 | 1453 | 100 | 80 | 2150 | 1000 | 1400 | 317 |
| 2 NKVE 15/7 T MCE55/P | 1000 | 1255 | 800 | 965 | 400 | 236 | 770 | 1503 | 100 | 80 | 2150 | 1000 | 1400 | 319 |
| 2 NKVE 15/8 T MCE110/P | 1000 | 1255 | 800 | 965 | 400 | 236 | 770 | 1602 | 100 | 80 | 2150 | 1000 | 1400 | 344 |
| 2 NKVE 15/9 T MCE110/P | 1000 | 1255 | 800 | 965 | 400 | 236 | 770 | 1652 | 100 | 80 | 2150 | 1000 | 1400 | 347 |
| 2 NKVE 15/10 T MCE110/P | 1000 | 1255 | 800 | 965 | 400 | 236 | 770 | 1846 | 100 | 80 | 2150 | 1000 | 1400 | 459 |

2 NKVE 20 -MCE/P - CONSTANT PRESSURE BOOSTER SETS

Pumped liquid temperature range: from -15 °C to +80 °C - Maximum ambient temperature: +40 °C - Max flow rate: 58 m³/h



The performance curves are based on kinematic viscosity values = 1 mm²/s and density equal to 1000 kg/m³.
Curve tolerance according to ISO 9906.

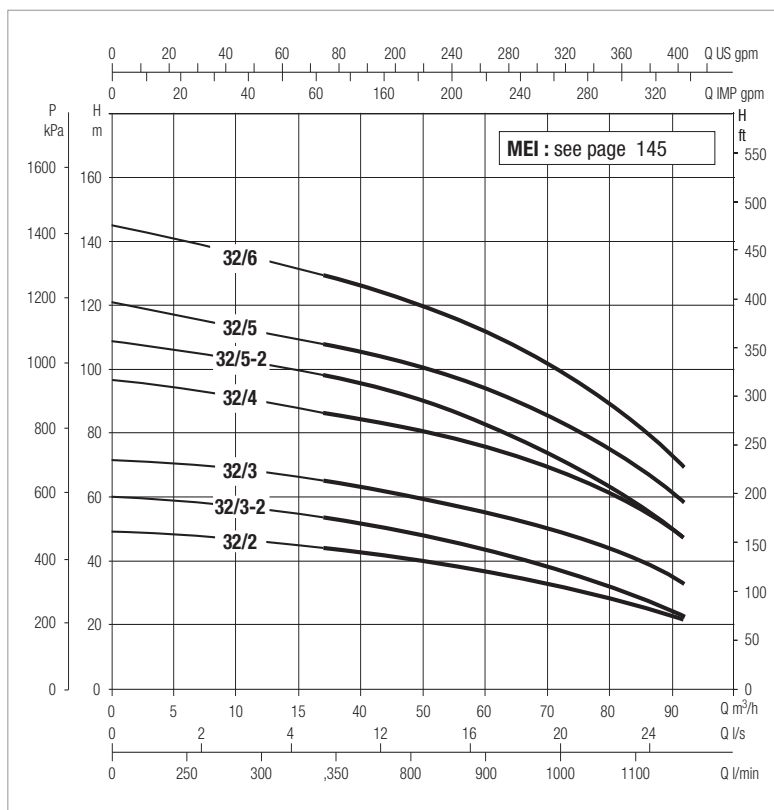
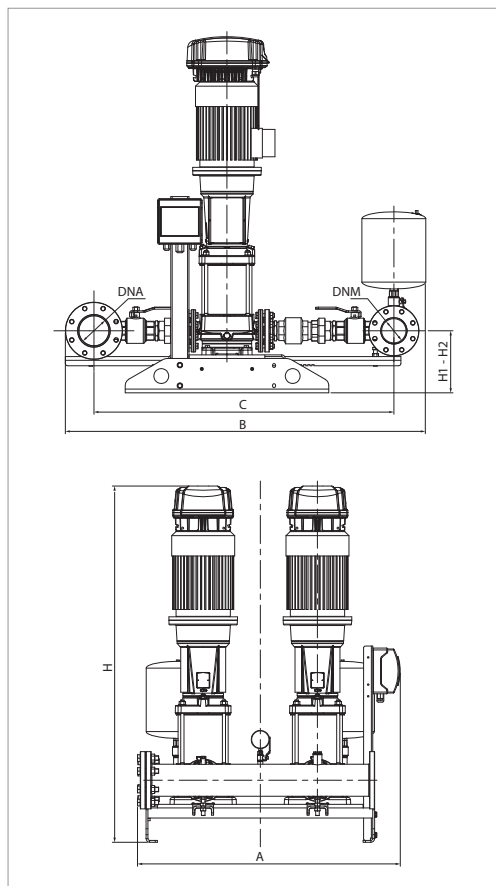
Overall performance taking into account TWO pumps working at the same time.

| MODEL | PUMP+INVERTER POWER INPUT | P2 NOMINAL | | In A | MCE/P MODEL | MAXIMUM FLOW RATE m ³ /h | MAX OBTAINABLE PRESSURE BAR | STANDARD PRESSURE BAR |
|-------------------------|------------------------------|------------|-------|---------|----------------|---|-----------------------------------|--------------------------|
| | | KW | HP | | | | | |
| 2 NKVE 20/3 T MCE55/P | 3 x 400V 50Hz | 2x4 | 2x5.5 | 2x10.1 | MCE55/P | 58 | 4 | 3.5 |
| 2 NKVE 20/4 T MCE55/P | 3 x 400V 50Hz | 2x5.5 | 2x7.5 | 2x13.1 | MCE55/P | 58 | 6 | 5 |
| 2 NKVE 20/5 T MCE55/P | 3 x 400V 50Hz | 2x5.5 | 2x7.5 | 2x13.1 | MCE55/P | 58 | 7 | 6 |
| 2 NKVE 20/6 T MCE110/P | 3 x 400V 50Hz | 2x7.5 | 2x10 | 2x17.6 | MCE110/P | 58 | 8.5 | 7.5 |
| 2 NKVE 20/7 T MCE110/P | 3 x 400V 50Hz | 2x7.5 | 2x10 | 2x17.6 | MCE110/P | 58 | 10 | 9 |
| 2 NKVE 20/8 T MCE110/P | 3 x 400V 50Hz | 2x11 | 2x15 | 2x25.5 | MCE110/P | 58 | 11.5 | 10 |
| 2 NKVE 20/9 T MCE110/P | 3 x 400V 50Hz | 2x11 | 2x15 | 2x25.5 | MCE110/P | 58 | 13 | 12 |
| 2 NKVE 20/10 T MCE110/P | 3 x 400V 50Hz | 2x11 | 2x15 | 2x25.5 | MCE110/P | 58 | 14 | 13 |

| MODEL | A | A MAX | B | B1 | C | H1 | H2 | H MAX | DNA | DNM | PACKING DIMENSIONS | | | WEIGHT kg |
|-------------------------|------|-------|-----|-----|-----|-----|-----|-------|-----|-----|--------------------|------|------|--------------|
| | | | | | | | | | | | L/A | L/B | H | |
| 2 NKVE 20/3 T MCE55/P | 1000 | 1255 | 800 | 965 | 400 | 236 | 770 | 1175 | 100 | 80 | 2150 | 1000 | 1400 | 228 |
| 2 NKVE 20/4 T MCE55/P | 1000 | 1255 | 800 | 965 | 400 | 236 | 770 | 1354 | 100 | 80 | 2150 | 1000 | 1400 | 256 |
| 2 NKVE 20/5 T MCE55/P | 1000 | 1255 | 800 | 965 | 400 | 236 | 770 | 1404 | 100 | 80 | 2150 | 1000 | 1400 | 260 |
| 2 NKVE 20/6 T MCE110/P | 1000 | 1255 | 800 | 965 | 400 | 236 | 770 | 1503 | 100 | 80 | 2150 | 1000 | 1400 | 284 |
| 2 NKVE 20/7 T MCE110/P | 1000 | 1255 | 800 | 965 | 400 | 236 | 770 | 1553 | 100 | 80 | 2150 | 1000 | 1400 | 286 |
| 2 NKVE 20/8 T MCE110/P | 1000 | 1255 | 800 | 965 | 400 | 236 | 770 | 1747 | 100 | 80 | 2150 | 1000 | 1400 | 350 |
| 2 NKVE 20/9 T MCE110/P | 1000 | 1255 | 800 | 965 | 400 | 236 | 770 | 1796 | 100 | 80 | 2150 | 1000 | 1400 | 352 |
| 2 NKVE 20/10 T MCE110/P | 1000 | 1255 | 800 | 965 | 400 | 236 | 770 | 1846 | 100 | 80 | 2150 | 1000 | 1400 | 374 |

2 NKVE 32 -MCE/P - CONSTANT PRESSURE BOOSTER SETS

Pumped liquid temperature range: from -15 °C to +80 °C - Maximum ambient temperature: +40 °C - Max flow rate: 90 m³/h



The performance curves are based on kinematic viscosity values = 1 mm²/s and density equal to 1000 kg/m³.
Curve tolerance according to ISO 9906.

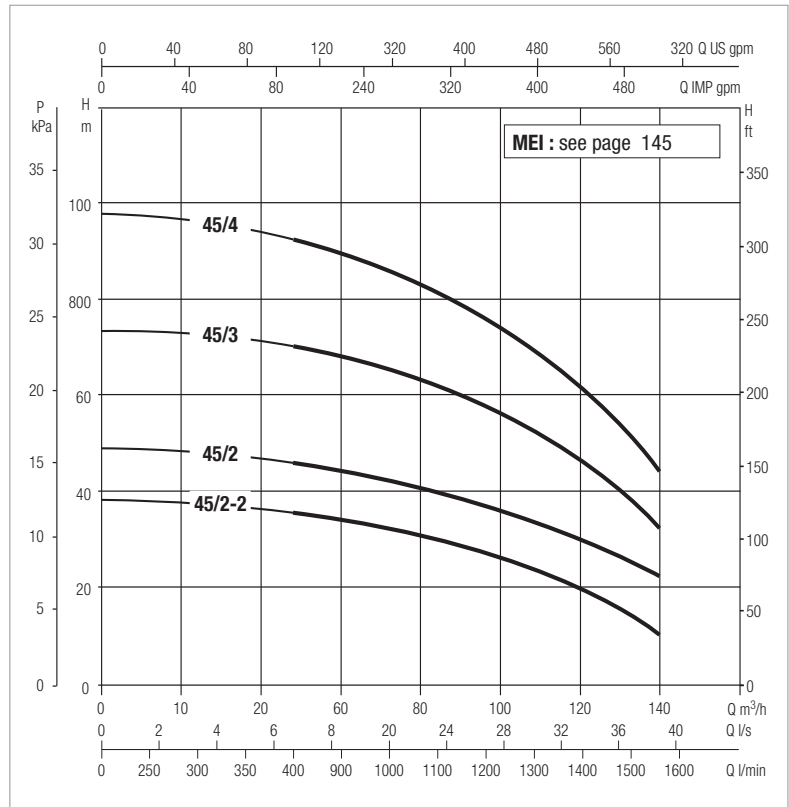
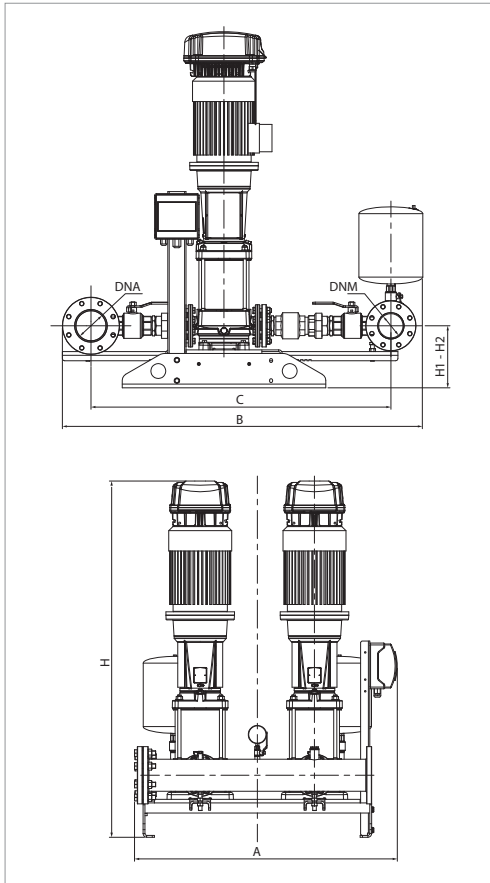
Overall performance taking into account TWO pumps working at the same time.

| MODEL | PUMP+INVERTER POWER INPUT | P2 NOMINAL | | In A | MCE/P MODEL | MAXIMUM FLOW RATE m ³ /h | MAX OBTAINABLE PRESSURE BAR | STANDARD PRESSURE BAR |
|----------------------------|------------------------------|------------|-------|---------|----------------|---|-----------------------------------|--------------------------|
| | | KW | HP | | | | | |
| 2 NKVE 32/2 T MCE 400-50 | 3x400 50-60Hz | 2x5,5 | 2x7,5 | 2x13,1 | MCE55/P | 90 | 4.8 | 4 |
| 2 NKVE 32/3-2 T MCE 400-50 | 3x400 50-60Hz | 2x5,5 | 2x7,5 | 2x13,1 | MCE55/P | 90 | 6.0 | 5 |
| 2 NKVE 32/3 T MCE 400-50 | 3x400 50-60Hz | 2x7,5 | 2x10 | 2x17,6 | MCE110/P | 90 | 7.3 | 6 |
| 2 NKVE 32/4 T MCE 400-50 | 3x400 50-60Hz | 2x11 | 2x15 | 2x25,5 | MCE110/P | 90 | 9.8 | 8 |
| 2 NKVE 32/5-2 T MCE 400-50 | 3x400 50-60Hz | 2x11 | 2x15 | 2x25,5 | MCE110/P | 90 | 10.9 | 9 |
| 2 NKVE 32/5 T MCE 400-50 | 3x400 50-60Hz | 2x15 | 2x20 | 2x34 | MCE150/P | 90 | 12.2 | 10 |
| 2 NKVE 32/6 T MCE 400-50 | 3x400 50-60Hz | 2x15 | 2x20 | 2x34 | MCE150/P | 90 | 14.6 | 12 |

| MODEL | A | B | C | H | H1 | H2 | DNA | DNM | PACKING DIMENSIONS | | | WEIGHT kg |
|----------------------------|------|------|------|------|-----|-----|-----|-----|--------------------|------|------|--------------|
| | | | | | | | | | L/A | L/B | H | |
| 2 NKVE 32/2 T MCE 400-50 | 1150 | 1575 | 1312 | 1476 | 271 | 271 | 150 | 125 | 1400 | 1800 | 2200 | 476 |
| 2 NKVE 32/3-2 T MCE 400-50 | 1150 | 1575 | 1312 | 1558 | 271 | 271 | 150 | 125 | 1400 | 1800 | 2200 | 484 |
| 2 NKVE 32/3 T MCE 400-50 | 1150 | 1575 | 1312 | 1558 | 271 | 271 | 150 | 125 | 1400 | 1800 | 2200 | 506 |
| 2 NKVE 32/4 T MCE 400-50 | 1150 | 1575 | 1312 | 1829 | 271 | 271 | 150 | 125 | 1400 | 1800 | 2200 | 616 |
| 2 NKVE 32/5-2 T MCE 400-50 | 1150 | 1575 | 1312 | 1911 | 271 | 271 | 150 | 125 | 1400 | 1800 | 2200 | 624 |
| 2 NKVE 32/5 T MCE 400-50 | 1150 | 1575 | 1312 | 1911 | 271 | 271 | 150 | 125 | 1400 | 1800 | 2200 | 652 |
| 2 NKVE 32/6 T MCE 400-50 | 1150 | 1575 | 1312 | 1993 | 271 | 271 | 150 | 125 | 1400 | 1800 | 2200 | 660 |

2 NKVE 45 - MCE/P - CONSTANT PRESSURE BOOSTER SETS

Pumped liquid temperature range: from -15 °C to +80 °C - Maximum ambient temperature: +40 °C - Max flow rate: 140 m³/h



The performance curves are based on kinematic viscosity values = 1 mm²/s and density equal to 1000 kg/m³.
Curve tolerance according to ISO 9906.

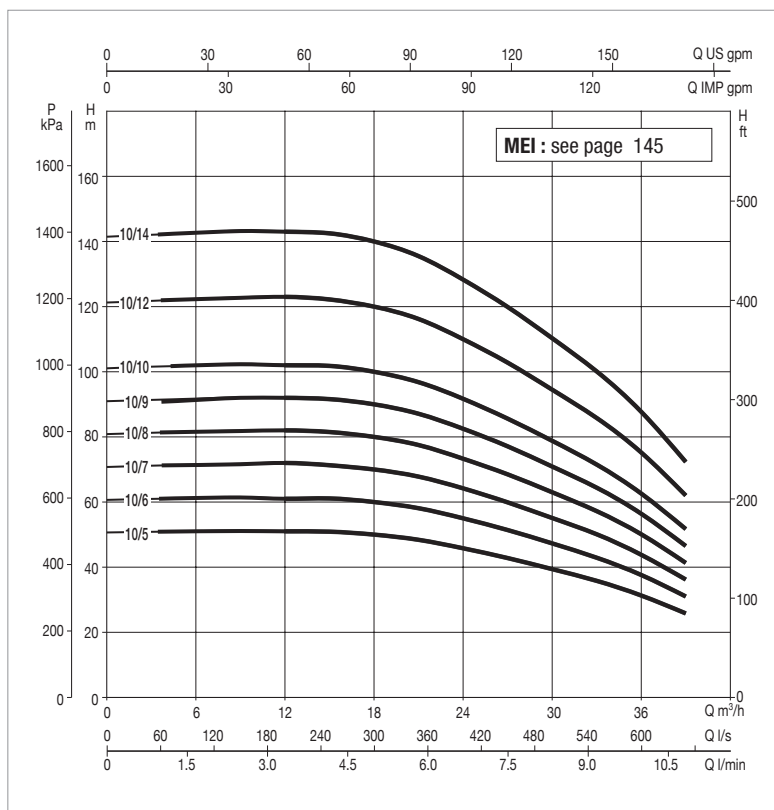
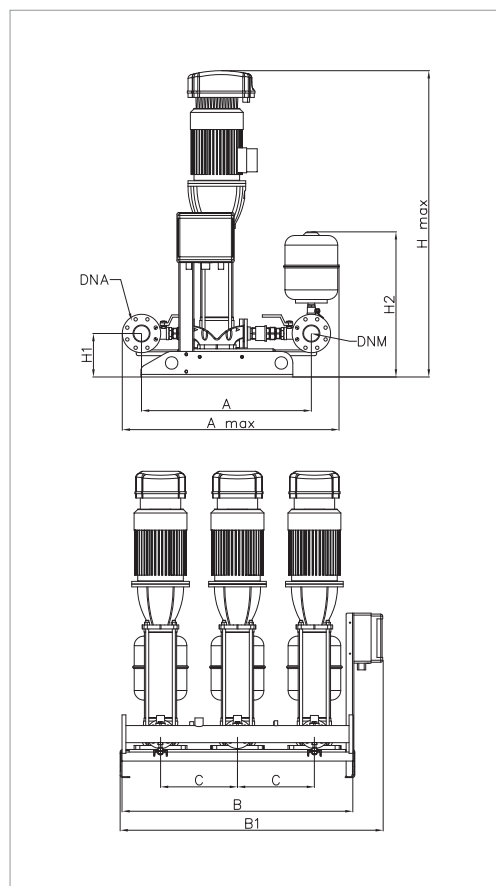
Overall performance taking into account TWO pumps working at the same time.

| MODEL | PUMP+INVERTER POWER INPUT | P2 NOMINAL | | In A | MCE/P MODEL | MAXIMUM FLOW RATE m ³ /h | MAX OBTAINABLE PRESSURE BAR | STANDARD PRESSURE BAR |
|----------------------------|------------------------------|------------|-------|---------|----------------|---|-----------------------------------|--------------------------|
| | | KW | HP | | | | | |
| 2 NKVE 45/2-2 T MCE 400-50 | 3x400 50-60Hz | 2x5,5 | 2x7,5 | 2x13,1 | MCE55/P | 140 | 3.8 | 3 |
| 2 NKVE 45/2 T MCE 400-50 | 3x400 50-60Hz | 2x7,5 | 2x10 | 2x17,6 | MCE110/P | 140 | 4.8 | 4 |
| 2 NKVE 45/3 T MCE 400-50 | 3x400 50-60Hz | 2x11 | 2x15 | 2x25,5 | MCE110/P | 140 | 7.3 | 6.5 |
| 2 NKVE 45/4 T MCE 400-50 | 3x400 50-60Hz | 2x15 | 2x20 | 2x34 | MCE150/P | 140 | 9.7 | 8.5 |

| MODEL | A | B | C | H | H1 | H2 | DNA | DNM | PACKING DIMENSIONS | | | WEIGHT kg |
|----------------------------|------|------|------|------|-----|-----|-----|-----|--------------------|------|------|--------------|
| | | | | | | | | | L/A | L/B | H | |
| 2 NKVE 45/2-2 T MCE 400-50 | 1150 | 1622 | 1340 | 1515 | 271 | 271 | 150 | 125 | 1400 | 1800 | 2200 | 488 |
| 2 NKVE 45/2 T MCE 400-50 | 115 | 1622 | 1340 | 1565 | 271 | 271 | 150 | 125 | 1400 | 1800 | 2200 | 510 |
| 2 NKVE 45/3 T MCE 400-50 | 1150 | 1622 | 1340 | 1782 | 271 | 271 | 150 | 125 | 1400 | 1800 | 2200 | 620 |
| 2 NKVE 45/4 T MCE 400-50 | 1150 | 1622 | 1340 | 1864 | 271 | 271 | 150 | 125 | 1400 | 1800 | 2200 | 656 |

3 NKVE 10 - MCE/P - CONSTANT PRESSURE BOOSTER SETS

Pumped liquid temperature range: from -15 °C to +80 °C - Maximum ambient temperature: +40 °C - Max flow rate: 39 m³/h



The performance curves are based on kinematic viscosity values = 1 mm²/s and density equal to 1000 kg/m³.
Curve tolerance according to ISO 9906.

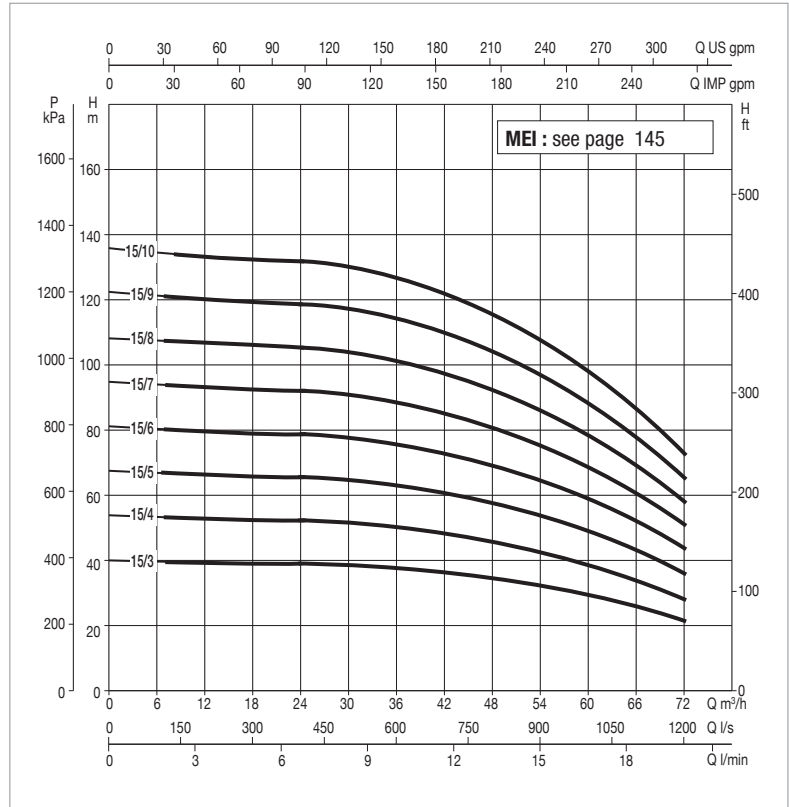
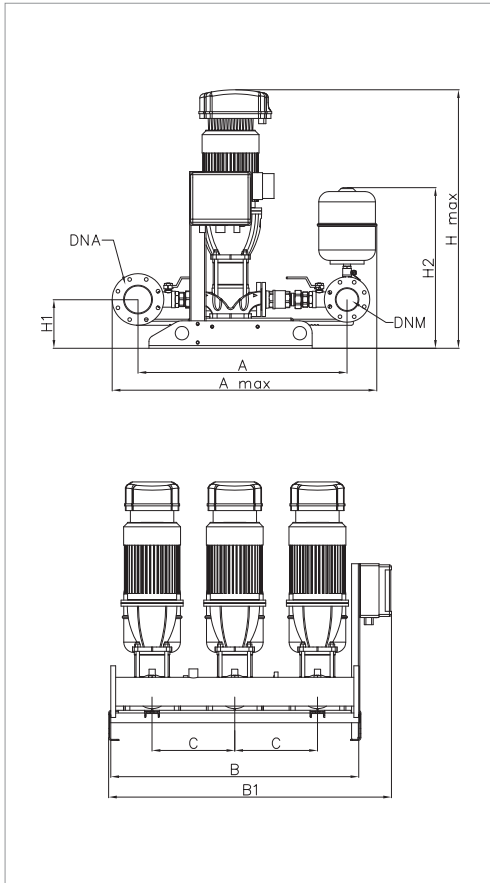
Overall performance taking into account THREE pumps working at the same time.

| MODEL | PUMP+INVERTER POWER INPUT | P2 NOMINAL | | In A | MCE/P MODEL | MAXIMUM FLOW RATE m ³ /h | MAX OBTAINABLE PRESSURE BAR | STANDARD PRESSURE BAR |
|------------------------|------------------------------|------------|-------|---------|----------------|---|-----------------------------------|--------------------------|
| | | KW | HP | | | | | |
| 3 NKVE 10/5 T MCE30/P | 3 x 400V 50Hz | 3x2.2 | 3x3 | 3x4.9 | MCE30/P | 39 | 5 | 4.0 |
| 3 NKVE 10/6 T MCE30/P | 3 x 400V 50Hz | 3x2.2 | 3x3 | 3x5.4 | MCE30/P | 39 | 6 | 5.0 |
| 3 NKVE 10/7 T MCE30/P | 3 x 400V 50Hz | 3x3 | 3x4 | 3x7.37 | MCE30/P | 39 | 7 | 6 |
| 3 NKVE 10/8 T MCE30/P | 3 x 400V 50Hz | 3x3 | 3x4 | 3x7.37 | MCE30/P | 39 | 8 | 6.5 |
| 3 NKVE 10/9 T MCE30/P | 3 x 400V 50Hz | 3x3 | 3x4 | 3x7.37 | MCE30/P | 39 | 9 | 7.7 |
| 3 NKVE 10/10 T MCE55/P | 3 x 400V 50Hz | 3x4 | 3x5.5 | 3x10.1 | MCE55/P | 39 | 10 | 8.5 |
| 3 NKVE 10/12 T MCE55/P | 3 x 400V 50Hz | 3x4 | 2x5.5 | 3x10.1 | MCE55/P | 39 | 12 | 10 |
| 3 NKVE 10/14 T MCE55/P | 3 x 400V 50Hz | 3x5.5 | 3x7.5 | 3x13.1 | MCE55/P | 39 | 14 | 10 |

| MODEL | A | A MAX | B | B1 | C | H1 | H2 | H MAX | DNA | DNM | PACKING DIMENSIONS | | | WEIGHT kg |
|------------------------|-------|-------|------|------|-----|-----|-----|-------|-----|-----|--------------------|------|------|--------------|
| | | | | | | | | | | | L/A | L/B | H | |
| 3 NKVE 10/5 T MCE30/P | 9.417 | 1130 | 1200 | 1370 | 400 | 226 | 755 | 1109 | 80 | 80 | 2150 | 1400 | 1800 | 425 |
| 3 NKVE 10/6 T MCE30/P | 885 | 1130 | 1200 | 1370 | 400 | 226 | 755 | 1142 | 80 | 80 | 2150 | 1400 | 1800 | 428 |
| 3 NKVE 10/7 T MCE30/P | 885 | 1130 | 1200 | 1370 | 400 | 226 | 755 | 1221 | 80 | 80 | 2150 | 1400 | 1800 | 468 |
| 3 NKVE 10/8 T MCE30/P | 885 | 1130 | 1200 | 1370 | 400 | 226 | 755 | 1254 | 80 | 80 | 2150 | 1400 | 1800 | 471 |
| 3 NKVE 10/9 T MCE30/P | 885 | 1130 | 1200 | 1370 | 400 | 226 | 755 | 1287 | 80 | 80 | 2150 | 1400 | 1800 | 473 |
| 3 NKVE 10/10 T MCE55/P | 885 | 1130 | 1200 | 1370 | 400 | 226 | 755 | 1335 | 80 | 80 | 2150 | 1400 | 1800 | 503 |
| 3 NKVE 10/12 T MCE55/P | 885 | 1130 | 1200 | 1370 | 400 | 226 | 755 | 1401 | 80 | 80 | 2150 | 1400 | 1800 | 508 |
| 3 NKVE 10/14 T MCE55/P | 885 | 1130 | 1200 | 1370 | 400 | 226 | 755 | 1597 | 80 | 80 | 2150 | 1400 | 1800 | 593 |

3 NKVE 15 - MCE/P - CONSTANT PRESSURE BOOSTER SETS

Pumped liquid temperature range: from -15 °C to +80 °C - Maximum ambient temperature: +40 °C - Max flow rate: 72 m³/h



The performance curves are based on kinematic viscosity values = 1 mm²/s and density equal to 1000 kg/m³.
Curve tolerance according to ISO 9906.

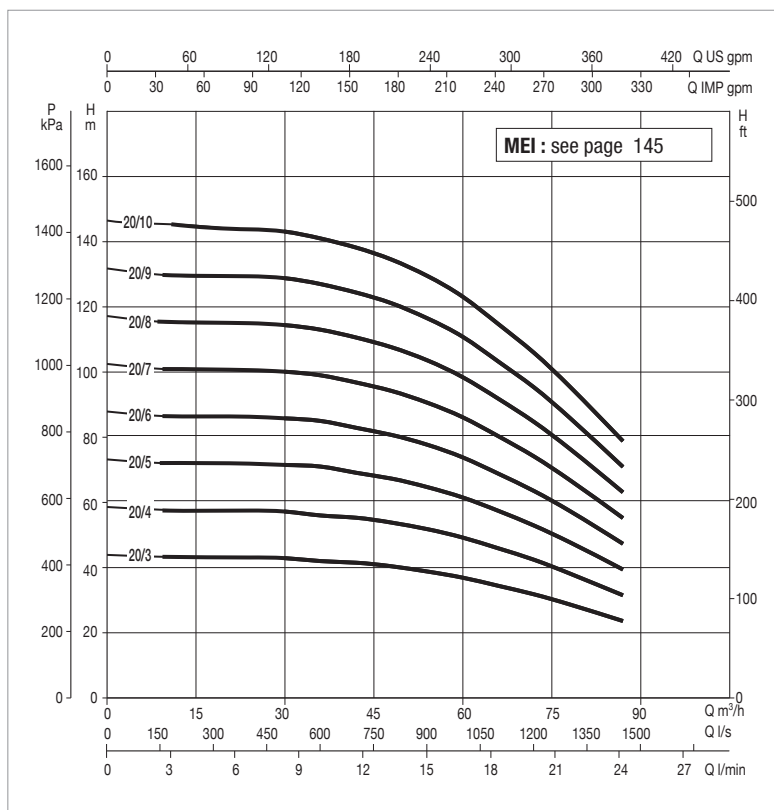
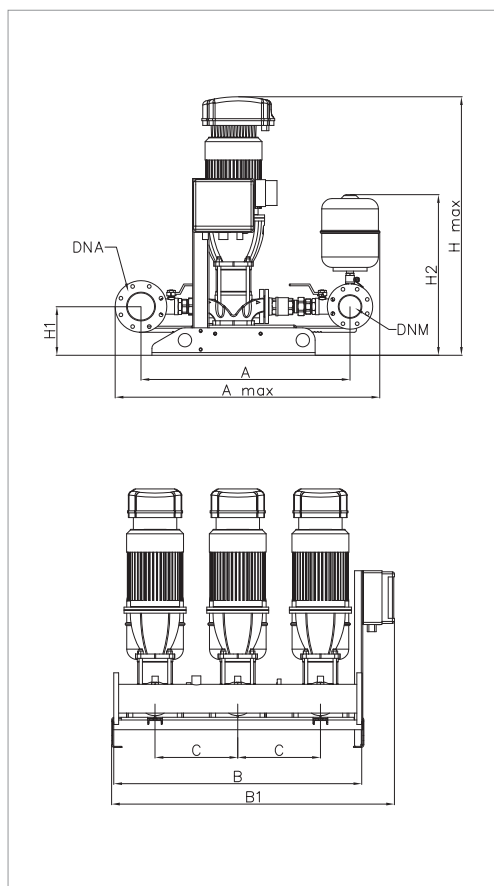
Overall performance taking into account THREE pumps working at the same time.

| MODEL | PUMP+INVERTER POWER INPUT | P2 NOMINAL | | In A | MCE/P MODEL | MAXIMUM FLOW RATE m ³ /h | MAX OBTAINABLE PRESSURE BAR | STANDARD PRESSURE BAR |
|-------------------------|------------------------------|------------|-------|---------|----------------|---|-----------------------------------|--------------------------|
| | | KW | HP | | | | | |
| 3 NKVE 15/3 T MCE30/P | 3 x 400V 50Hz | 3x3 | 3x4 | 3x7.37 | MCE30/P | 72 | 4 | 3.5 |
| 3 NKVE 15/4 T MCE55/P | 3 x 400V 50Hz | 3x4 | 3x5.5 | 3x10.1 | MCE55/P | 72 | 5 | 4 |
| 3 NKVE 15/5 T MCE55/P | 3 x 400V 50Hz | 3x4 | 3x5.5 | 3x10.1 | MCE55/P | 72 | 6.5 | 5 |
| 3 NKVE 15/6 T MCE55/P | 3 x 400V 50Hz | 3x5.5 | 3x7.5 | 3x13.1 | MCE55/P | 72 | 7.5 | 6.5 |
| 3 NKVE 15/7 T MCE55/P | 3 x 400V 50Hz | 3x5.5 | 3x7.5 | 3x13.1 | MCE55/P | 72 | 9 | 8 |
| 3 NKVE 15/8 T MCE110/P | 3 x 400V 50Hz | 3x7.5 | 3x10 | 3x17.6 | MCE110/P | 72 | 11 | 10 |
| 3 NKVE 15/9 T MCE110/P | 3 x 400V 50Hz | 3x7.5 | 3x10 | 3x17.6 | MCE110/P | 72 | 12 | 11 |
| 3 NKVE 15/10 T MCE110/P | 3 x 400V 50Hz | 3x11 | 3x15 | 3x25.5 | MCE110/P | 72 | 13 | 12 |

| MODEL | A | A MAX | B | B1 | C | H1 | H2 | H MAX | DNA | DNM | PACKING DIMENSIONS | | | WEIGHT kg |
|-------------------------|------|-------|------|------|-----|-----|-----|-------|-----|-----|--------------------|------|------|--------------|
| | | | | | | | | | | | L/A | L/B | H | |
| 3 NKVE 15/3 T MCE30/P | 1115 | 1285 | 1200 | 1370 | 400 | 236 | 780 | 1160 | 125 | 100 | 2150 | 1400 | 1800 | 486 |
| 3 NKVE 15/4 T MCE55/P | 1115 | 1285 | 1200 | 1370 | 400 | 236 | 780 | 1225 | 125 | 100 | 2150 | 1400 | 1800 | 516 |
| 3 NKVE 15/5 T MCE55/P | 1115 | 1285 | 1200 | 1370 | 400 | 236 | 780 | 1274 | 125 | 100 | 2150 | 1400 | 1800 | 520 |
| 3 NKVE 15/6 T MCE55/P | 1115 | 1285 | 1200 | 1370 | 400 | 236 | 780 | 1453 | 125 | 100 | 2150 | 1400 | 1800 | 605 |
| 3 NKVE 15/7 T MCE55/P | 1115 | 1285 | 1200 | 1370 | 400 | 236 | 780 | 1503 | 125 | 100 | 2150 | 1400 | 1800 | 608 |
| 3 NKVE 15/8 T MCE110/P | 1115 | 1285 | 1200 | 1370 | 400 | 236 | 780 | 1602 | 125 | 100 | 2150 | 1400 | 1800 | 645 |
| 3 NKVE 15/9 T MCE110/P | 1115 | 1285 | 1200 | 1370 | 400 | 236 | 780 | 1652 | 125 | 100 | 2150 | 1400 | 1800 | 649 |
| 3 NKVE 15/10 T MCE110/P | 1115 | 1285 | 1200 | 1370 | 400 | 236 | 780 | 1846 | 125 | 100 | 2150 | 1400 | 1800 | 818 |

3 NKVE 20 - MCE/P - CONSTANT PRESSURE BOOSTER SETS

Pumped liquid temperature range: from -15 °C to +80 °C - Maximum ambient temperature: +40 °C - Max flow rate: 87 m³/h



The performance curves are based on kinematic viscosity values = 1 mm²/s and density equal to 1000 kg/m³.
Curve tolerance according to ISO 9906.

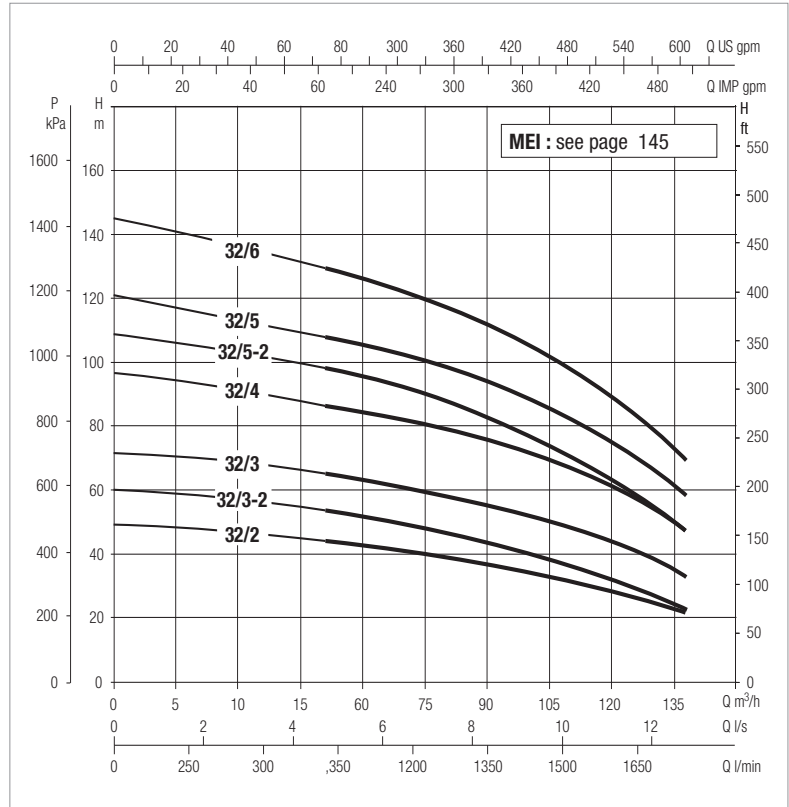
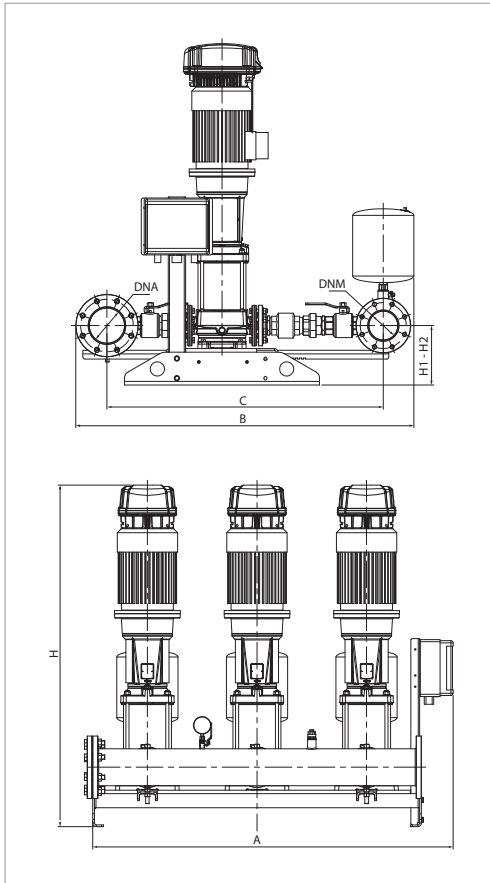
Overall performance taking into account THREE pumps working at the same time.

| MODEL | PUMP+INVERTER POWER INPUT | P2 NOMINAL | | In [A] | MCE/P MODEL | MAXIMUM FLOW RATE m ³ /h | MAX OBTAINABLE PRESSURE BAR | STANDARD PRESSURE BAR |
|-------------------------|------------------------------|------------|-------|-----------|----------------|---|-----------------------------------|--------------------------|
| | | [KW] | [HP] | | | | | |
| 3 NKVE 20/3 T MCE55/P | 3 x 400V 50Hz | 3x4 | 3x5.5 | 3x10.1 | MCE55/P | 87 | 4 | 3.5 |
| 3 NKVE 20/4 T MCE55/P | 3 x 400V 50Hz | 3x5.5 | 3x7.5 | 3x13.1 | MCE55/P | 87 | 6 | 5 |
| 3 NKVE 20/5 T MCE55/P | 3 x 400V 50Hz | 3x5.5 | 3x7.5 | 3x13.1 | MCE55/P | 87 | 7 | 6 |
| 3 NKVE 20/6 T MCE110/P | 3 x 400V 50Hz | 3x7.5 | 3x10 | 3x17.6 | MCE110/P | 87 | 8.5 | 7.5 |
| 3 NKVE 20/7 T MCE110/P | 3 x 400V 50Hz | 3x7.5 | 3x10 | 3x17.6 | MCE110/P | 87 | 10 | 9 |
| 3 NKVE 20/8 T MCE110/P | 3 x 400V 50Hz | 3x11 | 3x15 | 3x25.5 | MCE110/P | 87 | 11.5 | 10 |
| 3 NKVE 20/9 T MCE110/P | 3 x 400V 50Hz | 3x11 | 3x15 | 3x25.5 | MCE110/P | 87 | 13 | 12 |
| 3 NKVE 20/10 T MCE110/P | 3 x 400V 50Hz | 3x11 | 3x15 | 3x25.5 | MCE110/P | 87 | 14 | 13 |

| MODEL | A | A MAX | B | B1 | C | H1 | H2 | H MAX | DNA | DNM | PACKING DIMENSIONS | | | WEIGHT kg |
|-------------------------|------|-------|------|------|-----|-----|-----|-------|-----|-----|--------------------|------|------|--------------|
| | | | | | | | | | | | L/A | L/B | H | |
| 3 NKVE 20/3 T MCE55/P | 1115 | 1285 | 1200 | 1370 | 400 | 236 | 780 | 1175 | 125 | 100 | 2150 | 1400 | 1800 | 471 |
| 3 NKVE 20/4 T MCE55/P | 1115 | 1285 | 1200 | 1370 | 400 | 236 | 780 | 1354 | 125 | 100 | 2150 | 1400 | 1800 | 513 |
| 3 NKVE 20/5 T MCE55/P | 1115 | 1285 | 1200 | 1370 | 400 | 236 | 780 | 1404 | 125 | 100 | 2150 | 1400 | 1800 | 519 |
| 3 NKVE 20/6 T MCE110/P | 1115 | 1285 | 1200 | 1370 | 400 | 236 | 780 | 1503 | 125 | 100 | 2150 | 1400 | 1800 | 556 |
| 3 NKVE 20/7 T MCE110/P | 1115 | 1285 | 1200 | 1370 | 400 | 236 | 780 | 1553 | 125 | 100 | 2150 | 1400 | 1800 | 559 |
| 3 NKVE 20/8 T MCE110/P | 1115 | 1285 | 1200 | 1370 | 400 | 236 | 780 | 1747 | 125 | 100 | 2150 | 1400 | 1800 | 655 |
| 3 NKVE 20/9 T MCE110/P | 1115 | 1285 | 1200 | 1370 | 400 | 236 | 780 | 1796 | 125 | 100 | 2150 | 1400 | 1800 | 658 |
| 3 NKVE 20/10 T MCE110/P | 1115 | 1285 | 1200 | 1370 | 400 | 236 | 780 | 1846 | 125 | 100 | 2150 | 1400 | 1800 | 691 |

3 NKVE 32 -MCE/P - CONSTANT PRESSURE BOOSTER SETS

Pumped liquid temperature range: from -15 °C to +80 °C - Maximum ambient temperature: +40 °C - Max flow rate: 135 m³/h



The performance curves are based on kinematic viscosity values = 1 mm²/s and density equal to 1000 kg/m³.
Curve tolerance according to ISO 9906.

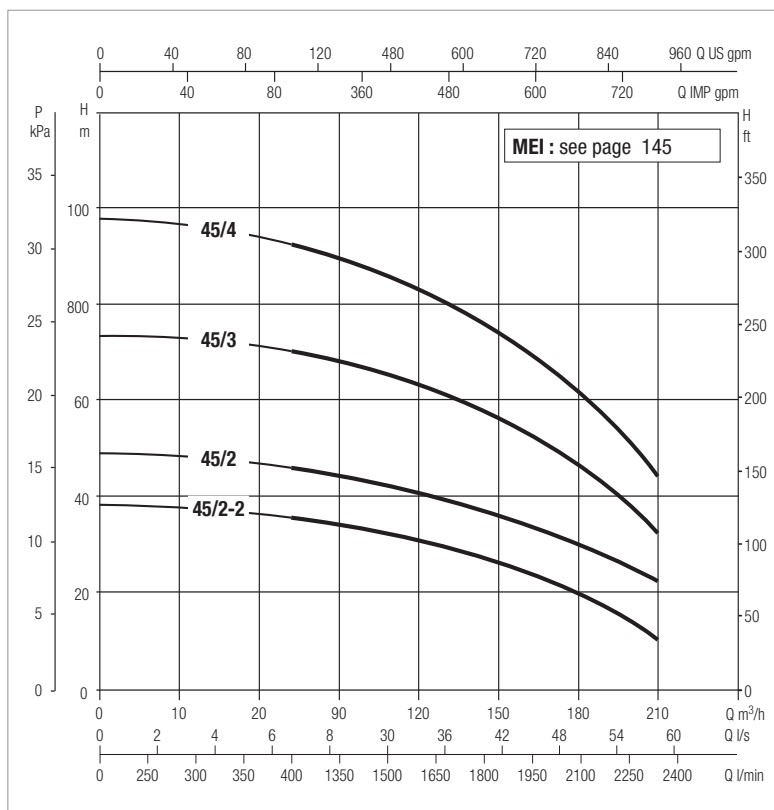
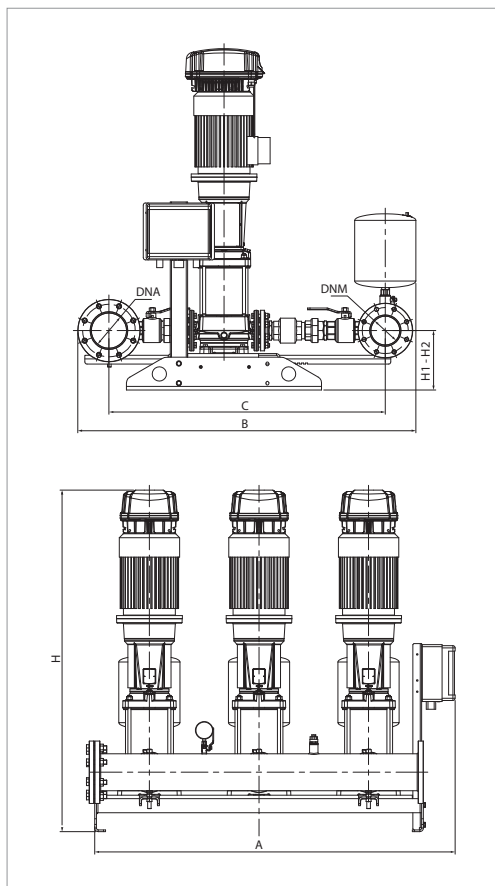
Overall performance taking into account THREE pumps working at the same time.

| MODEL | PUMP+INVERTER POWER INPUT | P2 NOMINAL | | In A | MCE/P MODEL | MAXIMUM FLOW RATE m³/h | MAX OBTAINABLE PRESSURE BAR | STANDARD PRESSURE BAR |
|----------------------------|------------------------------|------------|-------|---------|----------------|------------------------------|-----------------------------------|--------------------------|
| | | KW | HP | | | | | |
| 3 NKVE 32/2 T MCE 400-50 | 3x400 50-60Hz | 2x5,5 | 2x7,5 | 2x13,1 | MCE55/P | 135 | 4.8 | 4 |
| 3 NKVE 32/3-2 T MCE 400-50 | 3x400 50-60Hz | 2x5,5 | 2x7,5 | 2x13,1 | MCE55/P | 135 | 6.0 | 5 |
| 3 NKVE 32/3 T MCE 400-50 | 3 x 400V 50Hz | 2x7,5 | 2x10 | 2x17,6 | MCE110/P | 135 | 7.3 | 6 |
| 3 NKVE 32/4 T MCE 400-50 | 3 x 400V 50Hz | 2x11 | 2x15 | 2x25,5 | MCE110/P | 135 | 9.8 | 8 |
| 3 NKVE 32/5-2 T MCE 400-50 | 3 x 400V 50Hz | 2x11 | 2x15 | 2x25,5 | MCE110/P | 135 | 10.9 | 9 |
| 3 NKVE 32/5 T MCE 400-50 | 3x400 50-60Hz | 2x15 | 2x20 | 2x34 | MCE150/P | 135 | 12.2 | 10 |
| 3 NKVE 32/6 T MCE 400-50 | 3x400 50-60Hz | 2x15 | 2x20 | 2x34 | MCE150/P | 135 | 14.6 | 12 |

| MODEL | A | B | C | H | H1 | H2 | DNA | DNM | PACKING DIMENSIONS | | | WEIGHT kg |
|----------------------------|------|------|------|------|-----|-----|-----|-----|--------------------|------|------|--------------|
| | | | | | | | | | L/A | L/B | H | |
| 3 NKVE 32/2 T MCE 400-50 | 1683 | 1575 | 1312 | 1476 | 271 | 271 | 150 | 125 | 1500 | 2250 | 2200 | 714 |
| 3 NKVE 32/3-2 T MCE 400-50 | 1683 | 1575 | 1312 | 1558 | 271 | 271 | 150 | 125 | 1500 | 2250 | 2200 | 726 |
| 3 NKVE 32/3 T MCE 400-50 | 1683 | 1575 | 1312 | 1558 | 271 | 271 | 150 | 125 | 1500 | 2250 | 2200 | 759 |
| 3 NKVE 32/4 T MCE 400-50 | 1683 | 1575 | 1312 | 1829 | 271 | 271 | 150 | 125 | 1500 | 2250 | 2200 | 924 |
| 3 NKVE 32/5-2 T MCE 400-50 | 1683 | 1575 | 1312 | 1911 | 271 | 271 | 150 | 125 | 1500 | 2250 | 2200 | 936 |
| 3 NKVE 32/5 T MCE 400-50 | 1683 | 1575 | 1312 | 1911 | 271 | 271 | 150 | 125 | 1500 | 2250 | 2200 | 978 |
| 3 NKVE 32/6 T MCE 400-50 | 1683 | 1575 | 1312 | 1993 | 271 | 271 | 150 | 125 | 1500 | 2250 | 2200 | 990 |

3 NKVE 45 -MCE/P - CONSTANT PRESSURE BOOSTER SETS

Pumped liquid temperature range: from -15 °C to +80 °C - Maximum ambient temperature: +40 °C - Max flow rate: 210 m³/h



The performance curves are based on kinematic viscosity values = 1 mm²/s and density equal to 1000 kg/m³.
Curve tolerance according to ISO 9906.

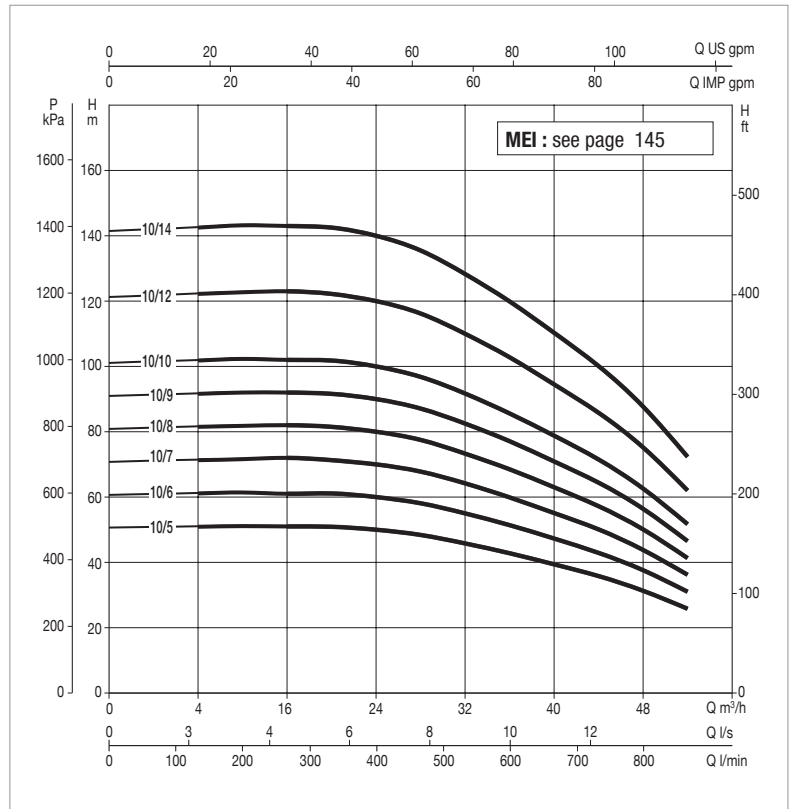
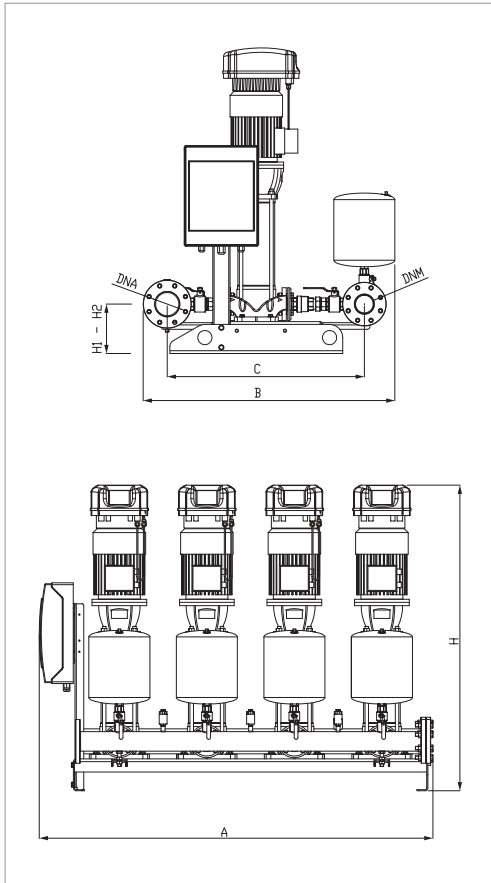
Overall performance taking into account THREE pumps working at the same time.

| MODEL | PUMP+INVERTER POWER INPUT | P2 NOMINAL | | In A | MCE/P MODEL | MAXIMUM FLOW RATE m ³ /h | MAX OBTAINABLE PRESSURE BAR | STANDARD PRESSURE BAR |
|----------------------------|------------------------------|------------|-------|---------|----------------|---|-----------------------------------|--------------------------|
| | | kW | HP | | | | | |
| 3 NKVE 45/2-2 T MCE 400-50 | 3x400 50-60Hz | 2x5,5 | 2x7,5 | 2x13,1 | MCE55/P | 210 | 3.8 | 3 |
| 3 NKVE 45/2 T MCE 400-50 | 3x400 50-60Hz | 2x7,5 | 2x10 | 2x17,6 | MCE110/P | 210 | 4.8 | 4 |
| 3 NKVE 45/3 T MCE 400-50 | 3 x 400V 50Hz | 2x11 | 2x15 | 2x25,5 | MCE110/P | 210 | 7.3 | 6.5 |
| 3 NKVE 45/4 T MCE 400-50 | 3x400 50-60Hz | 2x15 | 2x20 | 2x34 | MCE150/P | 210 | 9.7 | 8.5 |

| MODEL | A | B | C | H | H1 | H2 | DNA | DNM | PACKING DIMENSIONS | | | WEIGHT kg |
|----------------------------|------|------|------|------|-----|-----|-----|-----|--------------------|------|------|--------------|
| | | | | | | | | | L/A | L/B | H | |
| 3 NKVE 45/2-2 T MCE 400-50 | 1683 | 1622 | 1340 | 1515 | 306 | 306 | 200 | 150 | 1500 | 2250 | 2200 | 732 |
| 3 NKVE 45/2 T MCE 400-50 | 1683 | 1622 | 1340 | 1565 | 306 | 306 | 200 | 150 | 1500 | 2250 | 2200 | 765 |
| 3 NKVE 45/3 T MCE 400-50 | 1683 | 1622 | 1340 | 1782 | 306 | 306 | 200 | 150 | 1500 | 2250 | 2200 | 930 |
| 3 NKVE 45/4 T MCE 400-50 | 1683 | 1622 | 1340 | 1864 | 306 | 306 | 200 | 150 | 1500 | 2250 | 2200 | 984 |

4 NKVE 10 -MCE/P - CONSTANT PRESSURE BOOSTER SETS

Pumped liquid temperature range: from -15 °C to +80 °C - Maximum ambient temperature: +40 °C - Max flow rate: 52 m³/h



The performance curves are based on kinematic viscosity values = 1 mm²/s and density equal to 1000 kg/m³.
Curve tolerance according to ISO 9906.

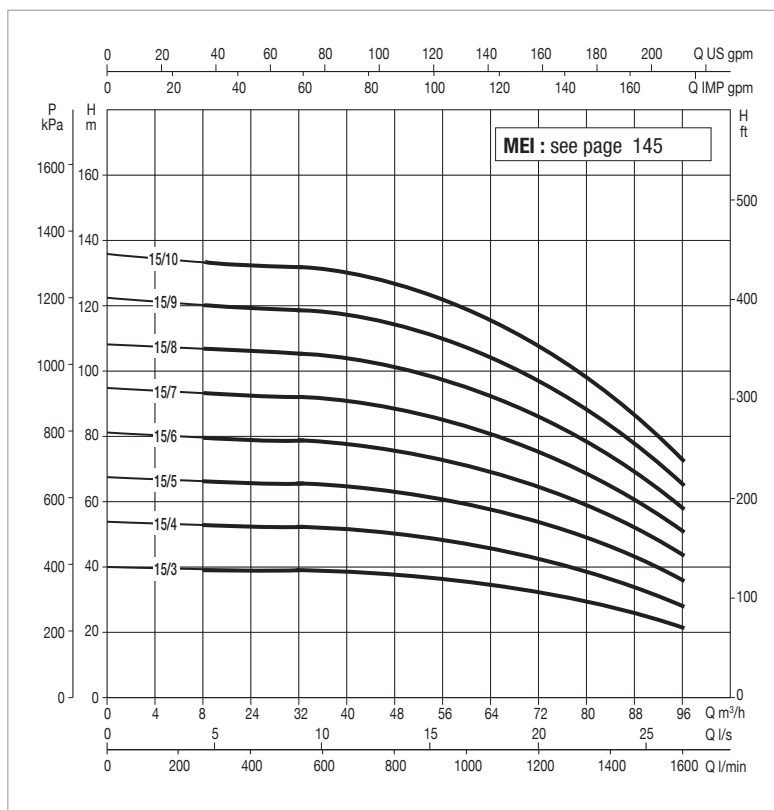
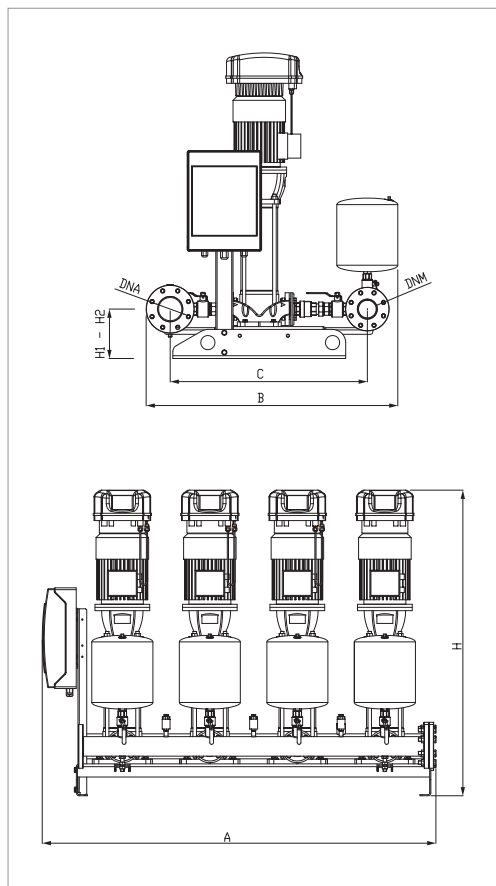
Overall performance taking into account FOUR pumps working at the same time.

| MODEL | PUMP+INVERTER POWER INPUT | P2 NOMINAL | | In A | MCE/P MODEL | MAXIMUM FLOW RATE m ³ /h | MAX OBTAINABLE PRESSURE BAR | STANDARD PRESSURE BAR |
|---------------------------|------------------------------|------------|-------|---------|----------------|---|-----------------------------------|--------------------------|
| | | KW | HP | | | | | |
| 4 NKVE 10/5 T MCE 400-50 | 3 x 400V 50Hz | 4x2.2 | 4x3 | 4x4.9 | MCE30/P | 52 | 5 | 4 |
| 4 NKVE 10/6 T MCE 400-50 | 3 x 400V 50Hz | 4x2.2 | 4x3 | 4x5.4 | MCE30/P | 52 | 6 | 5 |
| 4 NKVE 10/7 T MCE 400-50 | 3 x 400V 50Hz | 4x3 | 4x4 | 4x7.37 | MCE30/P | 52 | 7 | 6 |
| 4 NKVE 10/8 T MCE 400-50 | 3 x 400V 50Hz | 4x3 | 4x4 | 4x7.37 | MCE30/P | 52 | 8 | 6.5 |
| 4 NKVE 10/9 T MCE 400-50 | 3 x 400V 50Hz | 4x3 | 4x4 | 4x7.37 | MCE30/P | 52 | 9 | 7.7 |
| 4 NKVE 10/10 T MCE 400-50 | 3 x 400V 50Hz | 4x4 | 4x5.5 | 4x10.1 | MCE55/P | 52 | 10 | 8.5 |
| 4 NKVE 10/12 T MCE 400-50 | 3 x 400V 50Hz | 4x4 | 4x5.5 | 4x10.1 | MCE55/P | 52 | 12 | 10 |

| MODEL | A | B | C | H | H1 | H2 | H MAX | DNA | DNM | PACKING DIMENSIONS | | | WEIGHT kg |
|---------------------------|------|------|-----|------|-----|-----|-------|-----|-----|--------------------|------|------|--------------|
| | | | | | | | | | | L/A | L/B | H | |
| 4 NKVE 10/5 T MCE 400-50 | 1800 | 1150 | 900 | 1108 | 226 | 226 | 1109 | 100 | 80 | 2250 | 1500 | 2200 | 327 |
| 4 NKVE 10/6 T MCE 400-50 | 1800 | 1150 | 900 | 1141 | 226 | 226 | 1142 | 100 | 80 | 2250 | 1500 | 2200 | 571 |
| 4 NKVE 10/7 T MCE 400-50 | 1800 | 1150 | 900 | 1221 | 226 | 226 | 1221 | 100 | 80 | 2250 | 1500 | 2200 | 624 |
| 4 NKVE 10/8 T MCE 400-50 | 1800 | 1150 | 900 | 1254 | 226 | 226 | 1254 | 100 | 80 | 2250 | 1500 | 2200 | 628 |
| 4 NKVE 10/9 T MCE 400-50 | 1800 | 1150 | 900 | 1287 | 226 | 226 | 1287 | 100 | 80 | 2250 | 1500 | 2200 | 631 |
| 4 NKVE 10/10 T MCE 400-50 | 1800 | 1150 | 900 | 1335 | 226 | 226 | 1335 | 100 | 80 | 2250 | 1500 | 2200 | 671 |
| 4 NKVE 10/12 T MCE 400-50 | 1800 | 1150 | 900 | 1401 | 226 | 226 | 1401 | 100 | 80 | 2250 | 1500 | 2200 | 678 |

4 NKVE 15 - MCE/P - CONSTANT PRESSURE BOOSTER SETS

Pumped liquid temperature range: from -15 °C to +80 °C - Maximum ambient temperature: +40 °C - Max flow rate: 96 m³/h



The performance curves are based on kinematic viscosity values = 1 mm²/s and density equal to 1000 kg/m³.
Curve tolerance according to ISO 9906.

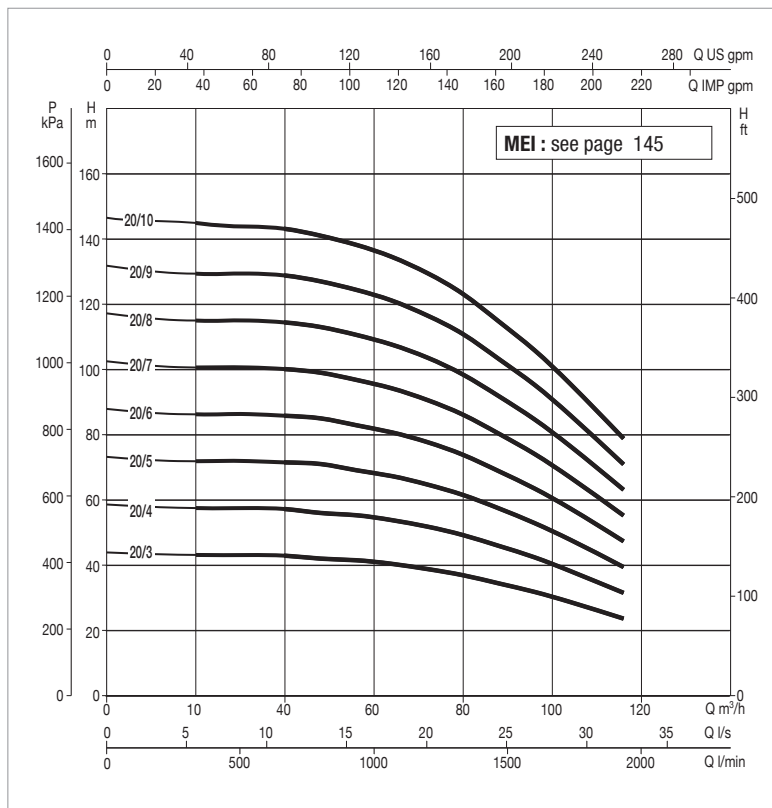
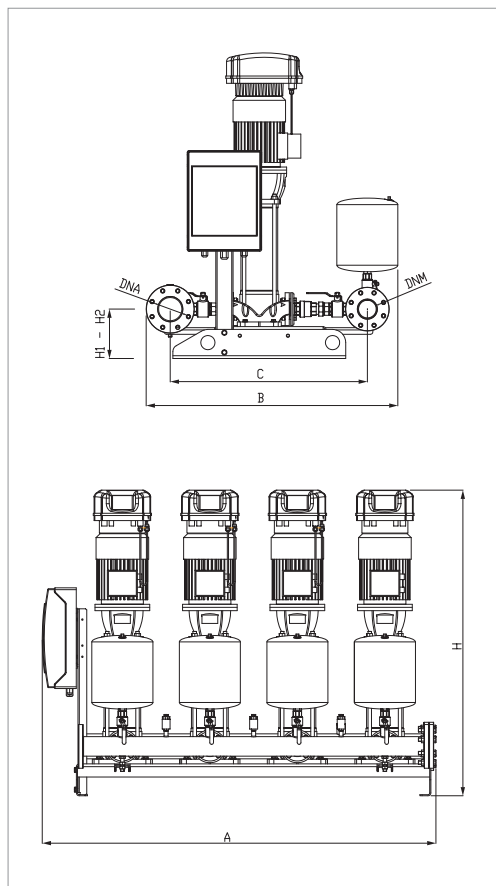
Overall performance taking into account FOUR pumps working at the same time.

| MODEL | PUMP+INVERTER POWER INPUT | P2 NOMINAL | | In A | MCE/P MODEL | MAXIMUM FLOW RATE m ³ /h | MAX OBTAINABLE PRESSURE BAR | STANDARD PRESSURE BAR |
|---------------------------|------------------------------|------------|-------|---------|----------------|---|-----------------------------------|--------------------------|
| | | kW | HP | | | | | |
| 4 NKVE 15/3 T MCE 400-50 | 3 x 400V 50Hz | 4x3 | 4x4 | 4x7.37 | MCE30/P | 96 | 4 | 3.5 |
| 4 NKVE 15/4 T MCE 400-50 | 3 x 400V 50Hz | 4x4 | 4x5.5 | 4x10.1 | MCE55/P | 96 | 5 | 4 |
| 4 NKVE 15/5 T MCE 400-50 | 3 x 400V 50Hz | 4x4 | 4x5.5 | 4x10.1 | MCE55/P | 96 | 6.5 | 5 |
| 4 NKVE 15/6 T MCE 400-50 | 3 x 400V 50Hz | 4x5.5 | 4x7.5 | 4x13.1 | MCE55/P | 96 | 7.5 | 6.5 |
| 4 NKVE 15/7 T MCE 400-50 | 3 x 400V 50Hz | 4x5.5 | 4x7.5 | 4x13.1 | MCE55/P | 96 | 9 | 8 |
| 4 NKVE 15/8 T MCE 400-50 | 3 x 400V 50Hz | 4x7.5 | 4x10 | 4x17.6 | MCE110/P | 96 | 11 | 10 |
| 4 NKVE 15/9 T MCE 400-50 | 3 x 400V 50Hz | 4x7.5 | 4x10 | 4x17.6 | MCE110/P | 96 | 12 | 11 |
| 4 NKVE 15/10 T MCE 400-50 | 3 x 400V 50Hz | 4x11 | 4x15 | 4x25.5 | MCE110/P | 96 | 13 | 12 |

| MODEL | A | B | C | H | H1 | H2 | DNA | DNM | PACKING DIMENSIONS | | | WEIGHT kg |
|---------------------------|------|------|------|------|-----|-----|-----|-----|--------------------|------|------|--------------|
| | | | | | | | | | L/A | L/B | H | |
| 4 NKVE 15/3 T MCE 400-50 | 1800 | 1330 | 1050 | 1160 | 236 | 236 | 150 | 125 | 2150 | 1000 | 1400 | 648 |
| 4 NKVE 15/4 T MCE 400-50 | 1800 | 1330 | 1050 | 1225 | 236 | 236 | 150 | 125 | 2150 | 1000 | 1400 | 688 |
| 4 NKVE 15/5 T MCE 400-50 | 1800 | 1330 | 1050 | 1274 | 236 | 236 | 150 | 125 | 2150 | 1000 | 1400 | 694 |
| 4 NKVE 15/6 T MCE 400-50 | 1800 | 1330 | 1050 | 1453 | 236 | 236 | 150 | 125 | 2150 | 1000 | 1400 | 807 |
| 4 NKVE 15/7 T MCE 400-50 | 1800 | 1330 | 1050 | 1503 | 236 | 236 | 150 | 125 | 2150 | 1000 | 1400 | 811 |
| 4 NKVE 15/8 T MCE 400-50 | 1800 | 1330 | 1050 | 1602 | 236 | 236 | 150 | 125 | 2150 | 1000 | 1400 | 860 |
| 4 NKVE 15/9 T MCE 400-50 | 1800 | 1330 | 1050 | 1652 | 236 | 236 | 150 | 125 | 2150 | 1000 | 1400 | 865 |
| 4 NKVE 15/10 T MCE 400-50 | 1800 | 1330 | 1050 | 1846 | 236 | 236 | 150 | 125 | 2150 | 1000 | 1400 | 919 |

4 NKVE 20 - MCE/P - CONSTANT PRESSURE BOOSTER SETS

Pumped liquid temperature range: from -15 °C to +80 °C - Maximum ambient temperature: +40 °C - Max flow rate: 116 m³/h



The performance curves are based on kinematic viscosity values = 1 mm²/s and density equal to 1000 kg/m³.
Curve tolerance according to ISO 9906.

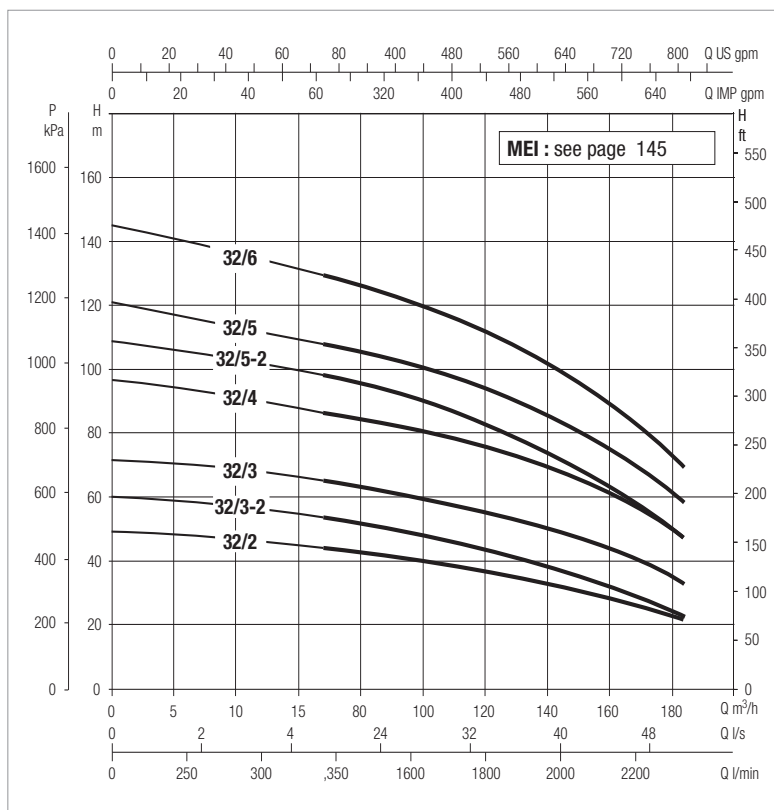
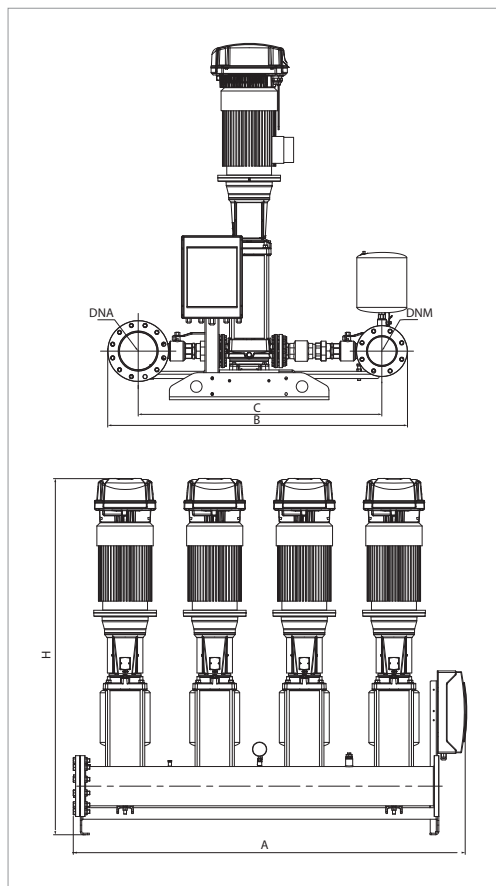
Overall performance taking into account FOUR pumps working at the same time.

| MODEL | PUMP+INVERTER POWER INPUT | P2 NOMINAL | | In A | MCE/P MODEL | MAXIMUM FLOW RATE m ³ /h | MAX OBTAINABLE PRESSURE BAR | STANDARD PRESSURE BAR |
|--------------------------|------------------------------|------------|-------|---------|----------------|---|-----------------------------------|--------------------------|
| | | KW | HP | | | | | |
| 4 NKVE 20/3 T MCE 400-50 | 3 x 400V 50Hz | 4x4 | 4x5.5 | 4x10.1 | MCE55/P | 116 | 4 | 3.5 |
| 4 NKVE 20/4 T MCE 400-50 | 3 x 400V 50Hz | 4x5.5 | 4x7.5 | 4x13.1 | MCE55/P | 116 | 6 | 5 |
| 4NKV 20/5 T MCE 400-50 | 3 x 400V 50Hz | 4x5.5 | 4x7.5 | 4x13.1 | MCE55/P | 116 | 7 | 6 |
| 4NKVE 20/6 T MCE 400-50 | 3 x 400V 50Hz | 4x7.5 | 4x10 | 4x17.6 | MCE110/P | 116 | 8.5 | 7.5 |
| 4NKVE 20/7 T MCE 400-50 | 3 x 400V 50Hz | 4x7.5 | 4x10 | 4x17.6 | MCE110/P | 116 | 10 | 9 |
| 4NKVE 20/8 T MCE 400-50 | 3 x 400V 50Hz | 4x11 | 4x15 | 4x25.5 | MCE110/P | 116 | 11.5 | 10 |
| 4NKVE 20/9 T MCE 400-50 | 3 x 400V 50Hz | 4x11 | 4x15 | 4x25.5 | MCE110/P | 116 | 13 | 12 |
| 4NKVE 20/10 T MCE 400-50 | 3 x 400V 50Hz | 4x11 | 4x15 | 4x25.5 | MCE110/P | 116 | 14 | 13 |

| MODEL | A | B | C | H | H1 | H2 | DNA | DNM | PACKING DIMENSIONS | | | WEIGHT kg |
|---------------------------|------|------|------|------|-----|-----|-----|-----|--------------------|------|------|--------------|
| | | | | | | | | | L/A | L/B | H | |
| 4 NKVE 20/3 T MCE 400-50 | 1800 | 1330 | 1150 | 1175 | 236 | 236 | 150 | 125 | 2150 | 1000 | 1400 | 628 |
| 4 NKVE 20/4 T MCE 400-50 | 1800 | 1330 | 1150 | 1354 | 236 | 236 | 150 | 125 | 2150 | 1000 | 1400 | 684 |
| 4 NKVE 20/5 T MCE 400-50 | 1800 | 1330 | 1150 | 1404 | 236 | 236 | 150 | 125 | 2150 | 1000 | 1400 | 692 |
| 4 NKVE 20/6 T MCE 400-50 | 1800 | 1330 | 1150 | 1503 | 236 | 236 | 150 | 125 | 2150 | 1000 | 1400 | 741 |
| 4 NKVE 20/7 T MCE 400-50 | 1800 | 1330 | 1150 | 1553 | 236 | 236 | 150 | 125 | 2150 | 1000 | 1400 | 745 |
| 4 NKVE 20/8 T MCE 400-50 | 1800 | 1330 | 1150 | 1747 | 236 | 236 | 150 | 125 | 2150 | 1000 | 1400 | 873 |
| 4 NKVE 20/9 T MCE 400-50 | 1800 | 1330 | 1150 | 1796 | 236 | 236 | 150 | 125 | 2150 | 1000 | 1400 | 877 |
| 4 NKVE 20/10 T MCE 400-50 | 1800 | 1330 | 1150 | 1846 | 236 | 236 | 150 | 125 | 2150 | 1000 | 1400 | 921 |

4 NKVE 32 -MCE/P - CONSTANT PRESSURE BOOSTER SETS

Pumped liquid temperature range: from -15 °C to +80 °C - Maximum ambient temperature: +40 °C - Max flow rate: 180 m³/h



The performance curves are based on kinematic viscosity values = 1 mm²/s and density equal to 1000 kg/m³.
Curve tolerance according to ISO 9906.

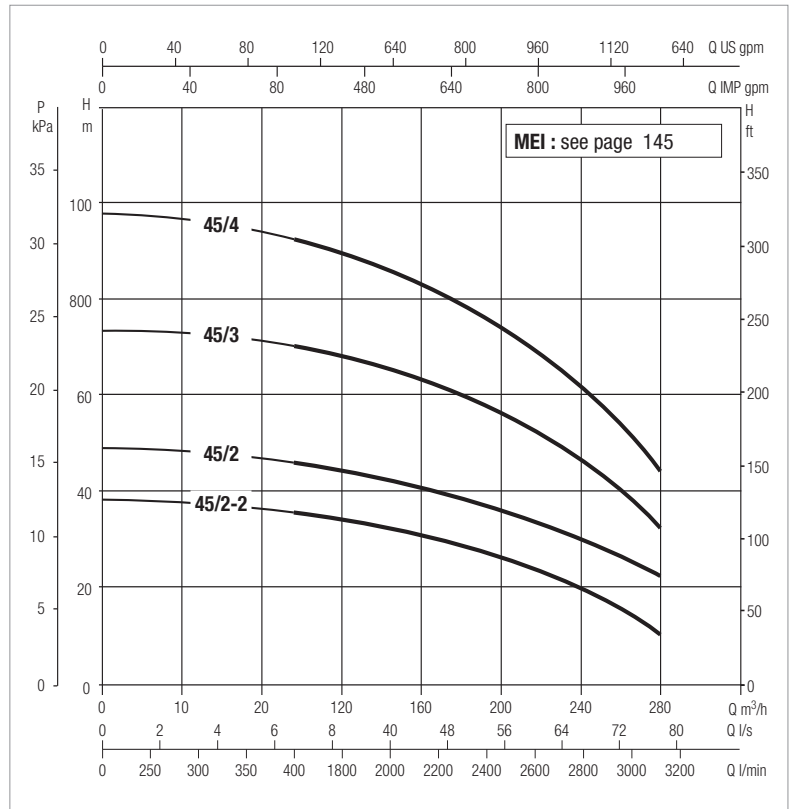
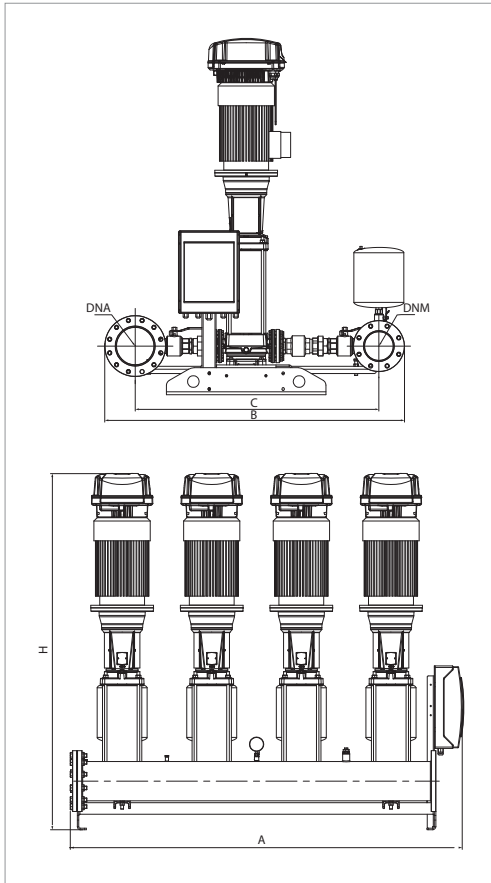
Overall performance taking into account FOUR pumps working at the same time.

| MODEL | PUMP+INVERTER POWER INPUT | P2 NOMINAL | | In A | MCE/P MODEL | MAXIMUM FLOW RATE m ³ /h | MAX OBTAINABLE PRESSURE BAR | STANDARD PRESSURE BAR |
|----------------------------|------------------------------|------------|-------|---------|----------------|---|-----------------------------------|--------------------------|
| | | KW | HP | | | | | |
| 4 NKVE 32/2 T MCE 400-50 | 3x400 50-60Hz | 2x5,5 | 2x7,5 | 2x13,1 | MCE55/P | 180 | 4.8 | 4 |
| 4 NKVE 32/3-2 T MCE 400-50 | 3x400 50-60Hz | 2x5,5 | 2x7,5 | 2x13,1 | MCE55/P | 180 | 6.0 | 5 |
| 4 NKVE 32/3 T MCE 400-50 | 3x400 50-60Hz | 2x7,5 | 2x10 | 2x17,6 | MCE110/P | 180 | 7.3 | 6 |
| 4 NKVE 32/4 T MCE 400-50 | 3x400 50-60Hz | 2x11 | 2x15 | 2x25,5 | MCE110/P | 180 | 9.8 | 8 |
| 4 NKVE 32/5-2 T MCE 400-50 | 3x400 50-60Hz | 2x11 | 2x15 | 2x25,5 | MCE110/P | 180 | 10.9 | 9 |
| 4 NKVE 32/5 T MCE 400-50 | 3x400 50-60Hz | 2x15 | 2x20 | 2x34 | MCE150/P | 180 | 12.2 | 10 |
| 4 NKVE 32/6 T MCE 400-50 | 3x400 50-60Hz | 2x15 | 2x20 | 2x34 | MCE150/P | 180 | 14.6 | 12 |

| MODEL | A | B | C | H | H1 | H2 | DNA | DNM | PACKING DIMENSIONS | | | WEIGHT kg |
|----------------------------|------|------|------|------|-----|-----|-----|-----|--------------------|------|------|--------------|
| | | | | | | | | | L/A | L/B | H | |
| 4 NKVE 32/2 T MCE 400-50 | 2195 | 1672 | 1340 | 1476 | 271 | 271 | 200 | 150 | 2660 | 1760 | 2200 | 952 |
| 4 NKVE 32/3-2 T MCE 400-50 | 2195 | 1672 | 1340 | 1558 | 271 | 271 | 200 | 150 | 2660 | 1760 | 2200 | 968 |
| 4 NKVE 32/3 T MCE 400-50 | 2195 | 1672 | 1340 | 1558 | 271 | 271 | 200 | 150 | 2660 | 1760 | 2200 | 1012 |
| 4 NKVE 32/4 T MCE 400-50 | 2195 | 1672 | 1340 | 1829 | 271 | 271 | 200 | 150 | 2660 | 1760 | 2200 | 1232 |
| 4 NKVE 32/5-2 T MCE 400-50 | 2195 | 1672 | 1340 | 1911 | 271 | 271 | 200 | 150 | 2660 | 1760 | 2200 | 1248 |
| 4 NKVE 32/5 T MCE 400-50 | 2195 | 1672 | 1340 | 1911 | 271 | 271 | 200 | 150 | 2660 | 1760 | 2200 | 1304 |
| 4 NKVE 32/6 T MCE 400-50 | 2195 | 1672 | 1340 | 1993 | 271 | 271 | 200 | 150 | 2660 | 1760 | 2200 | 1320 |

4 NKVE 45 -MCE/P - CONSTANT PRESSURE BOOSTER SETS

Pumped liquid temperature range: from -15 °C to +80 °C - Maximum ambient temperature: +40 °C - Max flow rate: 280 m³/h



The performance curves are based on kinematic viscosity values = 1 mm²/s and density equal to 1000 kg/m³.
Curve tolerance according to ISO 9906.

Overall performance taking into account FOUR pumps working at the same time.

| MODEL | PUMP+INVERTER POWER INPUT | P2 NOMINAL | | In A | MCE/P MODEL | MAXIMUM FLOW RATE m³/h | MAX OBTAINABLE PRESSURE BAR | STANDARD PRESSURE BAR |
|----------------------------|------------------------------|------------|-------|---------|----------------|------------------------------|-----------------------------------|--------------------------|
| | | KW | HP | | | | | |
| 4 NKVE 45/2-2 T MCE 400-50 | 3x400 50-60Hz | 2x5,5 | 2x7,5 | 2x13,1 | MCE55/P | 280 | 3.8 | 3 |
| 4 NKVE 45/2 T MCE 400-50 | 3x400 50-60Hz | 2x7,5 | 2x10 | 2x17,6 | MCE110/P | 280 | 4.8 | 4 |
| 4 NKVE 45/3 T MCE 400-50 | 3x400 50-60Hz | 2x11 | 2x15 | 2x25,5 | MCE110/P | 280 | 7.3 | 6.5 |
| 4 NKVE 45/4 T MCE 400-50 | 3x400 50-60Hz | 2x15 | 2x20 | 2x34 | MCE150/P | 280 | 9.7 | 8.5 |

| MODEL | A | B | C | H | H1 | H2 | DNA | DNM | PACKING DIMENSIONS | | | WEIGHT kg |
|----------------------------|------|------|------|------|-----|-----|-----|-----|--------------------|------|------|--------------|
| | | | | | | | | | L/A | L/B | H | |
| 4 NKVE 45/2-2 T MCE 400-50 | 2195 | 1813 | 1440 | 1515 | 306 | 306 | 250 | 200 | 2660 | 1760 | 2200 | 976 |
| 4 NKVE 45/2 T MCE 400-50 | 2195 | 1813 | 1440 | 1565 | 306 | 306 | 250 | 200 | 2660 | 1760 | 2200 | 1020 |
| 4 NKVE 45/3 T MCE 400-50 | 2195 | 1813 | 1440 | 1782 | 306 | 306 | 250 | 200 | 2660 | 1760 | 2200 | 1240 |
| 4 NKVE 45/4 T MCE 400-50 | 2195 | 1813 | 1440 | 1864 | 306 | 306 | 250 | 200 | 2660 | 1760 | 2200 | 1312 |